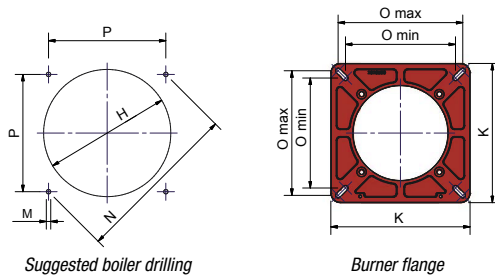
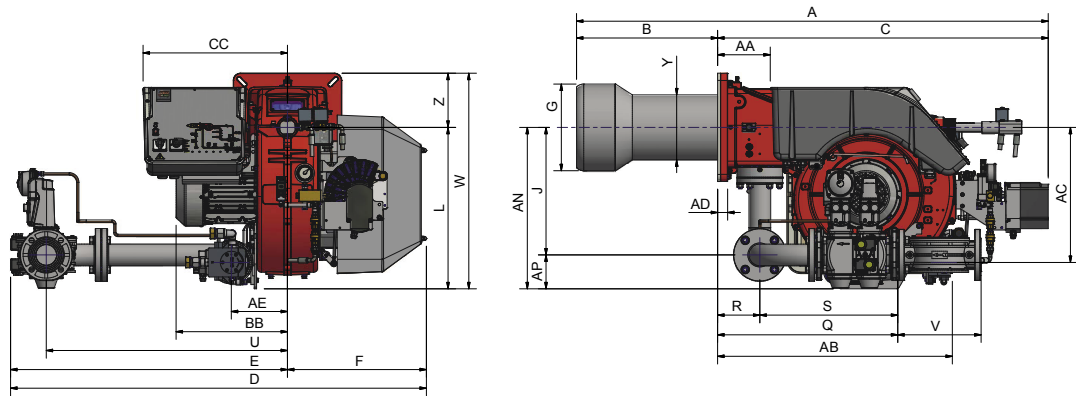


TECHNICAL DETAILS

| Type | Model | Output kW | | Auxiliary electrical power supply | Motor electrical power supply | Fan motor kW | Pump motor kW | Gas connections Rp | Noise level dBA |
|--------------|---------------------|-----------|-------|-----------------------------------|-------------------------------|--------------|---------------|--------------------------|-----------------|
| | | min. | max. | | | | | | |
| G258A | MG.xx.SR.xx.A.1.xxx | 165 | 2.580 | 230 V 1N AC 50 Hz | 400 V 3 AC 50 Hz | 4 | 1,1 | 2" - DN65 - DN80 - DN100 | < 85 |
| G335A | MG.xx.SR.xx.A.1.xxx | 280 | 3.350 | 230 V 1N AC 50 Hz | 400 V 3 AC 50 Hz | 5,5 | 1,1 | 2" - DN65 - DN80 - DN100 | < 85 |
| G380A | MG.xx.SR.xx.A.1.xxx | 295 | 3.800 | 230 V 1N AC 50 Hz | 400 V 3 AC 50 Hz | 5,5 | 1,1 | 2" - DN65 - DN80 - DN100 | < 85 |
| G400A | MG.xx.SR.xx.A.1.xxx | 580 | 4.000 | 230 V 1N AC 50 Hz | 400 V 3 AC 50 Hz | 7,5 | 1,1 | 2" - DN65 - DN80 - DN100 | < 85 |

For the configuration of the gas train, see page 112-113.



| Type | Packaging dimensions (mm) | | | |
|--------------|---------------------------|------|------|-----|
| | l | p | h | kg |
| G258A | 1780 | 1200 | 1020 | 320 |
| G335A | 1780 | 1200 | 1020 | 325 |
| G380A | 1780 | 1200 | 1020 | 325 |
| G400A | 1780 | 1200 | 1020 | 330 |

Approximate values (regarding model with gas train DN80)

| Type | Model | Overall dimensions (mm) | | | | | | | | | | | | | | | | | | | | | | | | | | | | | | | | | |
|--------------|---------------------|-------------------------|-----|------|-----|------|-----|------|-----|------|-----|------|-----|------|------|------|-----|------|-----|------|-----|------|-----|------|-----|------|-----|------|-----|------|-----|------|-----|------|--|
| | | A | AA | AB | AC | AD | AE | AN | AP | B | BB | C | CC | D | E | F | G | H | J | K | L | M | N | O | P | Q | R | S | U | V | W | Y | Z | | |
| | | min. | | max. | | min. | | max. | | min. | | max. | | min. | | max. | | min. | | max. | | min. | | max. | | min. | | max. | | min. | | max. | | min. | |
| G258A | MG.xx.SR.xx.A.1.50 | 1626 | 184 | 850 | 372 | 35 | 271 | 550 | 100 | 460 | 391 | 1166 | 509 | 1116 | 725 | 391 | 254 | 290 | 450 | 380 | 518 | M12 | 453 | 300 | 340 | 320 | 533 | 148 | 384 | 624 | 190 | 708 | 210 | 190 | |
| G258A | MG.xx.SR.xx.A.1.65 | 1626 | 184 | 850 | 372 | 35 | 271 | 564 | 117 | 460 | 391 | 1166 | 509 | 1362 | 971 | 391 | 254 | 290 | 447 | 380 | 518 | M12 | 453 | 300 | 340 | 320 | 636 | 148 | 487 | 845 | 292 | 708 | 210 | 190 | |
| G258A | MG.xx.SR.xx.A.1.80 | 1626 | 184 | 850 | 372 | 35 | 271 | 579 | 132 | 460 | 391 | 1166 | 509 | 1393 | 1002 | 391 | 254 | 290 | 447 | 380 | 518 | M12 | 453 | 300 | 340 | 320 | 687 | 148 | 538 | 875 | 310 | 708 | 210 | 190 | |
| G258A | MG.xx.SR.xx.A.1.100 | 1605 | 184 | 850 | 372 | 35 | 271 | 592 | 145 | 460 | 391 | 1145 | 509 | 1474 | 1085 | 391 | 254 | 290 | 447 | 380 | 518 | M12 | 453 | 300 | 340 | 320 | 791 | 148 | 642 | 942 | 353 | 708 | 210 | 190 | |
| G335A | MG.xx.SR.xx.A.1.50 | 1626 | 184 | 850 | 372 | 35 | 271 | 550 | 100 | 460 | 399 | 1166 | 509 | 1116 | 725 | 391 | 254 | 290 | 450 | 380 | 518 | M12 | 453 | 300 | 340 | 320 | 533 | 148 | 384 | 624 | 190 | 708 | 210 | 190 | |
| G335A | MG.xx.SR.xx.A.1.65 | 1626 | 184 | 850 | 372 | 35 | 271 | 564 | 117 | 460 | 399 | 1166 | 509 | 1362 | 971 | 391 | 254 | 290 | 447 | 380 | 518 | M12 | 453 | 300 | 340 | 320 | 636 | 148 | 487 | 845 | 292 | 708 | 210 | 190 | |
| G335A | MG.xx.SR.xx.A.1.80 | 1626 | 184 | 850 | 372 | 35 | 271 | 579 | 132 | 460 | 399 | 1166 | 509 | 1393 | 1002 | 391 | 254 | 290 | 447 | 380 | 518 | M12 | 453 | 300 | 340 | 320 | 687 | 148 | 538 | 875 | 310 | 708 | 210 | 190 | |
| G335A | MG.xx.SR.xx.A.1.100 | 1605 | 184 | 850 | 372 | 35 | 271 | 592 | 145 | 460 | 399 | 1145 | 509 | 1474 | 1085 | 391 | 254 | 290 | 447 | 380 | 518 | M12 | 453 | 300 | 340 | 320 | 791 | 148 | 642 | 942 | 353 | 708 | 210 | 190 | |
| G380A | MG.xx.SR.xx.A.1.50 | 1627 | 184 | 850 | 372 | 35 | 271 | 550 | 100 | 490 | 471 | 1124 | 509 | 1139 | 725 | 414 | 265 | 300 | 450 | 380 | 518 | M12 | 453 | 300 | 340 | 320 | 533 | 148 | 384 | 624 | 190 | 708 | 228 | 190 | |
| G380A | MG.xx.SR.xx.A.1.65 | 1627 | 184 | 850 | 372 | 35 | 271 | 564 | 117 | 490 | 471 | 1124 | 509 | 1385 | 971 | 414 | 265 | 300 | 447 | 380 | 518 | M12 | 453 | 300 | 340 | 320 | 636 | 148 | 487 | 845 | 292 | 708 | 228 | 190 | |
| G380A | MG.xx.SR.xx.A.1.80 | 1627 | 184 | 850 | 372 | 35 | 271 | 579 | 132 | 490 | 471 | 1124 | 509 | 1416 | 1002 | 414 | 265 | 300 | 447 | 380 | 518 | M12 | 453 | 300 | 340 | 320 | 687 | 148 | 538 | 875 | 310 | 708 | 228 | 190 | |
| G380A | MG.xx.SR.xx.A.1.100 | 1647 | 184 | 850 | 372 | 35 | 271 | 592 | 145 | 490 | 471 | 1145 | 509 | 1499 | 1085 | 414 | 265 | 300 | 447 | 380 | 518 | M12 | 453 | 300 | 340 | 320 | 791 | 148 | 642 | 942 | 353 | 708 | 228 | 190 | |
| G400A | MG.xx.SR.xx.A.1.50 | 1624 | 184 | 850 | 372 | 35 | 271 | 550 | 100 | 500 | 471 | 1124 | 509 | 1139 | 725 | 414 | 304 | 345 | 450 | 380 | 518 | M12 | 453 | 300 | 340 | 320 | 533 | 148 | 384 | 624 | 190 | 708 | 228 | 190 | |
| G400A | MG.xx.SR.xx.A.1.65 | 1624 | 184 | 850 | 372 | 35 | 271 | 564 | 117 | 500 | 471 | 1124 | 509 | 1385 | 971 | 414 | 304 | 345 | 447 | 380 | 518 | M12 | 453 | 300 | 340 | 320 | 636 | 148 | 487 | 845 | 292 | 708 | 228 | 190 | |
| G400A | MG.xx.SR.xx.A.1.80 | 1624 | 184 | 850 | 372 | 35 | 271 | 579 | 132 | 500 | 471 | 1124 | 509 | 1416 | 1002 | 414 | 304 | 345 | 447 | 380 | 518 | M12 | 453 | 300 | 340 | 320 | 687 | 148 | 538 | 875 | 310 | 708 | 228 | 190 | |
| G400A | MG.xx.SR.xx.A.1.100 | 1645 | 184 | 850 | 372 | 35 | 271 | 592 | 145 | 500 | 471 | 1145 | 509 | 1499 | 1085 | 414 | 304 | 345 | 447 | 380 | 518 | M12 | 453 | 300 | 340 | 320 | 791 | 148 | 642 | 942 | 353 | 708 | 228 | 190 | |

Approximate values