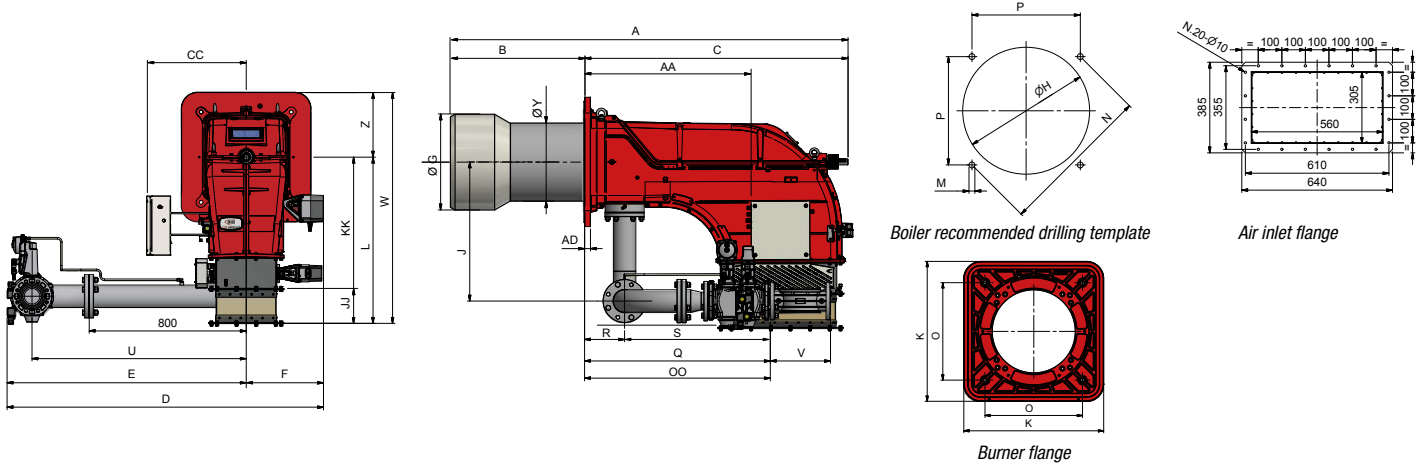




OVERALL DIMENSIONS



Type	DN	Overall dimensions (mm)																												
		A	AA	AD	B	C	CC	D	E	F	G	H	J	JJ	K	KK	L	M	N	O	OO	P	Q	R	S	U	V	W	Y	Z
<b>HTP1030</b>	80	2064	848	30	544	1541	540	1816	1219	520	464	504	709	175	660	672	845	M16	651	460	1000	460	937	204	733	1092	310	1175	372	329
<b>HTP1030</b>	100	2064	848	30	544	1541	540	1816	1219	520	464	504	709	175	660	672	845	M16	651	460	1000	460	937	204	733	1092	350	1175	372	329
<b>HTP1050</b>	80	2064	848	30	544	1541	540	1816	1219	520	489	539	709	175	660	672	845	M16	651	460	1000	460	937	204	733	1092	310	1175	408	329
<b>HTP1050</b>	100	2064	848	30	544	1541	540	1816	1219	520	489	539	709	175	660	672	845	M16	651	460	1000	460	937	204	733	1092	350	1175	408	329
<b>HTP1080</b>	100	2064	848	30	544	1541	540	1816	1219	520	514	564	709	175	660	672	845	M16	651	460	1000	460	937	204	733	1092	350	1175	408	329
<b>HTP1080</b>	125	2064	848	30	544	1541	540	1816	1219	520	514	564	709	175	660	672	845	M16	651	460	1000	460	937	204	733	1092	478	1175	408	329

Dimensions CC - U - E - D refer to burners with maximum overall dimensions of hot air and mechanical version models. In standard and electronic versions these dimensions may be smaller.