

HP60 - HP65 - HP72

*Bruciatori di gas - gasolio
Progressivi/Modulanti*

MANUAL OF INSTALLATION - USE - MAINTENANCE

CIB UNIGAS

BURNERS - BRUCIATORI - BRULERS - BRENNER - QUEMADORES - ГОРЕЛКИ

DANGERS, WARNINGS AND NOTES OF CAUTION

This manual is supplied as an integral and essential part of the product and must be delivered to the user.

Information included in this section are dedicated both to the user and to personnel following product installation and maintenance.

The user will find further information about operating and use restrictions, in the second section of this manual. we highly recommend to read it.

Carefully keep this manual for future reference.

The following:

- Entails the customer's acknowledgement and acceptance of the company's general terms and conditions of sale, in force at the date of order confirmation and available in the appendix to the current price lists.
- Is intended exclusively for specialised, experienced and trained users able to operate in conditions that are safe for people, the device and the environment, and in full compliance with the requirements set out on the following pages and with current health and safety regulations.

Information regarding assembly/installation, maintenance, replacement and repair is always and exclusively intended for (and therefore only to be carried out by) specialised personnel and/or directly by the Authorised Technical Service

IMPORTANT :

The supply has been made at the best conditions on the basis of the customer's order and technical indications concerning the state of the places and the installation systems, as well as the need to prepare certain certifications and / or additional adaptations with respect to the standard observed and transmitted for each product. In this respect, the manufacturer declines any responsibility for complaints, malfunctions, criticalities, damages and/or anything else consequent to incomplete, inaccurate and/or missing information, as well as failure to comply with the technical requirements and installation regulations, initial start-up, operational management and maintenance.

For proper operation of the device, it is necessary to ensure the readability and conservation of the manual, also for future reference. In case of deterioration or more simply for reasons of technical and operational insight, contact the manufacturer directly. Text, descriptions, images, examples and anything else contained in this document are the exclusive property of the manufacturer. Any reproduction is prohibited.

RISK ANALYSIS

Instruction manual supplied with the burner:

This is an integral and essential part of the product and must not be separated from it. It must therefore be kept carefully for any necessary consultation and must accompany the burner even if it is transferred to another owner or user, or to another system. In the event of damage or loss, another copy must be requested from the local customer service centre;

Delivery of the system and instruction manual

The supplier of the system is obliged to accurately inform the user about:-
Use of the system;

- any further testing that may be necessary before activating the system;
- maintenance and the requirement to have the system checked at least once a year by a contractor or other specialised technician.

To ensure periodic monitoring, the manufacturer recommends drawing up a Maintenance Agreement.

WARRANTY AND LIABILITY

In particular, warranty and liability claims will no longer be valid in the event of damage to persons and/or property if such damage is due to any of the following causes:

- Incorrect installation, start-up, use and maintenance of the burner;
- Improper, incorrect or unreasonable use of the burner;
- Operation by unqualified personnel;
- Carrying out of unauthorised changes to the device;
- Use of the burner with safety devices that are faulty, incorrectly applied and/or not working;
- Installation of untested supplementary components on the burner;
- Powering of the burner with unsuitable fuels;

- Faults in the fuel supply system;
- Use of the burner even after an error and/or fault has occurred;
- Repairs and/or overhauls incorrectly carried out;
- Modification of the combustion chamber with inserts that prevent the regular development of the structurally established flame;
- Insufficient and inappropriate supervision and care of the burner components most subject to wear and tear;
- Use of non-original components, whether spare parts, kits, accessories and optionals;
- Force majeure.

Furthermore, the manufacturer declines all responsibility for non-compliance with this manual.



WARNING! Failure to comply with this manual, operational negligence, incorrect installation and unauthorised modifications will result in the manufacturer's warranty for the burner being voided.

Personnel training

The user is the person, organisation or company that has acquired the appliance and intends to use it for the specific purpose. The user is responsible for the appliance and for training the personnel that operate it.

The user:

- Undertakes to entrust the machine to suitably trained and qualified personnel;
- Must take all measures necessary to prevent unauthorised people gaining access to the appliance;
- Undertakes to adequately inform personnel about application and observance of the safety requirements, and therefore ensure that they are familiar with the operating instructions and safety requirements;
- Must inform the manufacturer if any faults or malfunctions of the accident prevention systems occur, and if there is any suspected danger;
- Personnel must always use the personal protective equipment required by law and follow the instructions provided in this manual;
- Personnel must observe all danger and caution notices on the appliance;
- Personnel must not carry out, on their own initiative, operations or interventions outside their area of expertise;
- Personnel must inform their superiors of any problem and danger that may arise;
- The assembly of parts of other makes, or any modifications made, may alter the characteristics of the appliance and may therefore compromise operational safety. The manufacturer therefore declines all responsibility for damages arising from the use of non-original parts.

GENERAL INTRODUCTION

- The equipment must be installed in compliance with the regulations in force, following the manufacturer's instructions, by qualified personnel.
- Qualified personnel means those having technical knowledge in the field of components for civil or industrial heating systems, sanitary hot water generation and particularly service centres authorised by the manufacturer.
- Improper installation may cause injury to people and animals, or damage to property, for which the manufacturer cannot be held liable.
- Remove all packaging material and inspect the equipment for integrity.

In case of any doubt, do not use the unit - contact the supplier.

The packaging materials (wooden crate, nails, fastening devices, plastic bags, foamed polystyrene, etc), should not be left within the reach of children, as they may prove harmful.

- Before any cleaning or servicing operation, disconnect the unit from the mains by turning the master switch OFF, and/or through the cutout devices that are provided.
- Make sure that inlet or exhaust grilles are unobstructed.
- In case of breakdown and/or defective unit operation, disconnect the unit. Make no attempt to repair the unit or take any direct action.

Contact qualified personnel only.

Units shall be repaired exclusively by a servicing centre, duly authorised by the manufacturer, with original spare parts and accessories.

Failure to comply with the above instructions is likely to impair the unit's safety.

To ensure equipment efficiency and proper operation, it is essential that maintenance operations are performed by qualified personnel at regular intervals, following the manufacturer's instructions.

- When a decision is made to discontinue the use of the equipment,

those parts likely to constitute sources of danger shall be made harmless.

- In case the equipment is to be sold or transferred to another user, or in case the original user should move and leave the unit behind, make sure that these instructions accompany the equipment at all times so that they can be consulted by the new owner and/or the installer.
- This unit shall be employed exclusively for the use for which it is meant. Any other use shall be considered as improper and, therefore, dangerous.

The manufacturer shall not be held liable, by agreement or otherwise, for WARNING! Failure to observe the information given in this manual, operating negligence, incorrect installation and carrying out of non authorised modifications will result in the annulment by the manufacturer of the guarantee that it supplies with the burner.

The damages resulting from improper installation, use and failure to comply with the instructions supplied by the manufacturer. The occurrence of any of the following circumstances may cause explosions, polluting unburnt gases (example: carbon monoxide CO), burns, serious harm to people, animals and things:

- Failure to comply with one of the WARNINGS in this chapter
- Incorrect handling, installation, adjustment or maintenance of the burner
- Incorrect use of the burner or incorrect use of its parts or optional supply

SPECIAL INSTRUCTIONS FOR BURNERS

a Make the following checks:

- • the burner should be installed in a suitable room, with ventilation openings complying with the requirements of the regulations in force, and sufficient for good combustion;
- • only burners designed according to the regulations in force should be used;
- • this burner should be employed exclusively for the use for which it was designed;
- • before connecting the burner, make sure that the unit rating is the same as delivery mains (electricity, gas oil, or other fuel);
- • observe caution with hot burner components. These are, usually, near to the flame and the fuel pre-heating system, they become hot during the unit operation and will remain hot for some time after the burner has stopped.

When the decision is made to discontinue the use of the burner, the user shall have qualified personnel carry out the following operations:

- remove the power supply by disconnecting the power cord from the mains;
- disconnect the fuel supply by means of the hand-operated shutoff valve and remove the control handwheels from their spindles.

Special warnings

- Make sure that the burner has, on installation, been firmly secured to the appliance, so that the flame is generated inside the appliance fire-box.
- Before the burner is started and, thereafter, at least once a year, have qualified personnel perform the following operations:
 - a set the burner fuel flow rate depending on the heat input of the appliance;
 - b set the flow rate of the combustion-supporting air to obtain a combustion efficiency level at least equal to the lower level required by the regulations in force;
 - c check the unit operation for proper combustion, to avoid any harmful or polluting unburnt gases in excess of the limits permitted by the regulations in force;
 - d make sure that control and safety devices are operating properly;
 - e make sure that exhaust ducts intended to discharge the products of combustion are operating properly;
 - f on completion of setting and adjustment operations, make sure that all mechanical locking devices of controls have been duly tightened;
 - g make sure that a copy of the burner use and maintenance instructions is available in the boiler room.
- In case of a burner shut-down, reset the control box by means of the RESET pushbutton. If a second shut-down takes place, call the Technical Service, without trying to RESET further.
- The unit shall be operated and serviced by qualified personnel only, in compliance with the regulations in force.

GENERAL INSTRUCTIONS DEPENDING ON FUEL USED

ELECTRICAL CONNECTION

- For safety reasons the unit must be efficiently earthed and installed as required by current safety regulations.
- It is vital that all safety requirements are met. In case of any doubt, ask for an accurate inspection of electricians by qualified personnel, since the manufacturer cannot be held liable for damages that may be caused by failure to correctly earth the equipment.
- Qualified personnel must inspect the system to make sure that it is adequate to take the maximum power used by the equipment shown on the equipment rating plate. In particular, make sure that the system cable cross section is adequate for the power absorbed by the unit.
- No adaptors, multiple outlet sockets and/or extension cables are permitted to connect the unit to the electric mains.
- An omnipolar switch shall be provided for connection to mains, as required by the current safety regulations.
- The use of any power-operated component implies observance of a few basic rules, for example:
 - do not touch the unit with wet or damp parts of the body and/or with bare feet;
 - do not pull electric cables;
 - do not leave the equipment exposed to weather (rain, sun, etc.) unless expressly required to do so;
 - do not allow children or inexperienced persons to use equipment;
- The unit input cable shall not be replaced by the user. In case of damage to the cable, switch off the unit and contact qualified personnel to replace.

When the unit is out of use for some time the electric switch supplying all the power-driven components in the system (i.e. pumps, burner, etc.) should be switched off.

FIRING WITH GAS, LIGHT OIL OR OTHER FUELS GENERAL

General Warnings

- The burner shall be installed by qualified personnel and in compliance with regulations and provisions in force; wrong installation can cause injuries to people and animals, or damage to property, for which the manufacturer cannot be held liable.
- Before installation, it is recommended that all the fuel supply system pipes be carefully cleaned inside, to remove foreign matter that might impair the burner operation.
- Before the burner is commissioned, qualified personnel should inspect the following:
 - a the fuel supply system, for proper sealing;
 - b the fuel flow rate, to make sure that it has been set based on the firing rate required of the burner;
 - c the burner firing system, to make sure that it is supplied for the designed fuel type;
 - d the fuel supply pressure, to make sure that it is included in the range shown on the rating plate;
 - e the fuel supply system, to make sure that the system dimensions are adequate to the burner firing rate, and that the system is equipped with all the safety and control devices required by the regulations in force.
- When the burner is to remain idle for some time, the fuel supply tap or taps should be closed.

Special instructions for using gas

Have qualified personnel inspect the installation to ensure that:

- a the gas delivery line and train are in compliance with the regulations and provisions in force;
 - b all gas connections are tight;
 - c the boiler room ventilation openings are such that they ensure the air supply flow required by the current regulations, and in any case are sufficient for proper combustion.
- Do not use gas pipes to earth electrical equipment.
 - Never leave the burner connected when not in use. Always shut the gas valve off.
 - In case of prolonged absence of the user, the main gas delivery valve to the burner should be shut off.

BURER DATA PLATE

For the following information, please refer to the data plate:

- Burner type and burner model: must be reported in any communication with the supplier
- Burner ID (serial number): must be reported in any communication with the supplier
- Date of production (year and month)
- Information about fuel type and network pressure

Consump	
Type	--
Model	--
Year	--
S.Number	--
Output	--
Oil Flow	--
Fuel	--
Category	--
Gas Pressure	--
Viscosity	--
El.Supply	--
El.Consump.	--
Fan Motor	--
Protection	--
Drwaing n°	--
P.I.N.	--

Precautions if you can smell gas

- a do not operate electric switches, the telephone, or any other item likely to generate sparks;
 - b immediately open doors and windows to create an air flow to purge the room;
 - c close the gas valves;
 - d contact qualified personnel.
- Do not obstruct the ventilation openings of the room where gas appliances are installed, to avoid dangerous conditions such as the development of toxic or explosive mixtures.

Using oil pressure gauges

Generally, pressure gauges are equipped with a manual valve. Open the valve only to take the reading and close it immediately afterwards.

SYMBOLS USED



WARNING

Failure to observe the warning may result in irreparable damage to the unit or damage to the environment



DANGER!

Failure to observe the warning may result in serious injuries or death.



WARNING

Failure to observe the warning may result in electric shock with lethal consequences.

BURNER SAFETY

The burners- and the configurations described below - comply with the regulations in force regarding health, safety and the environment. For more in-depth information, refer to the declarations of conformity that are an integral part of this Manual.



DANGER! Incorrect motor rotation can seriously damage property and injure people.



Do not touch any mechanical moving parts with your hands or any other part of your body. Injury hazard

Do not touch any parts containing fuel (i.e. tank and pipes). Scalding hazard

Do not use the burner in situations other than the ones provided for in the data plate.

Do not use fuels other than the ones stated.

Do not use the burner in potentially explosive environments.

Do not remove or by-pass any machine safety devices.

Do not remove any protection devices or open the burner or any other component while the burner is running.

Do not disconnect any part of the burner or its components while the burner is running.

Untrained staff must not modify any linkages.

- After any maintenance, it is important to restore the protection devices before restarting the machine.

- All safety devices must be kept in perfect working order.

- Personnel authorized to maintain the machine must always be provided with suitable protections.

ATTENTION: while running, the parts of the burner near the generator (coupling flange) are subject to overheating. Where necessary, avoid any contact risks by wearing suitable PPE.



Safety and prevention

- Opening or tampering with the burner components is not allowed, apart from the parts requiring maintenance.
- Only those parts envisaged by the manufacturer can be replaced.

DIRECTIVES AND STANDARDS

Gas - Light oil burners

European directives

2016/426/UE (appliances burning gaseous fuels)

2014/35/UE (Low Tension Directive)

2014/30/UE (Electromagnetic compatibility Directive)

2006/42/CE (Machinery Directive)

Harmonized standards

UNI EN 676 (Automatic forced draught burners for gaseous fuels)

UNI EN 267-2011 (Automatic forced draught burners for liquid fuels)

EN 55014-1 (Electromagnetic compatibility- Requirements for household appliances, electric tools and similar apparatus)

EN 60204-1:2006 (Safety of machinery – Electrical equipment of machines.)

CEI EN 60335-1 (Specification for safety of household and similar electrical appliances);

CEI EN 60335-2-102 (Household and similar electrical appliances. Safety. Particular requirements for gas, oil and solid-fuel burning appliances having electrical connections).

UNI EN ISO 12100:2010 (Safety of machinery - General principles for design - Risk assessment and risk reduction);

Industrial burners

European directives

2006/42/CE (Machinery Directive)

2014/35/UE (Low Tension Directive)

2014/30/UE (Electromagnetic compatibility Directive)

2006/42/CE (Machinery Directive)

Harmonized standards

EN 746-2 (Industrial thermoprocessing equipment - Part 2: Safety requirements for combustion and fuel handling systems)

EN 55014-1 (Electromagnetic compatibility- Requirements for household appliances, electric tools and similar apparatus)

EN 60204-1:2006 (Safety of machinery – Electrical equipment of machines.)

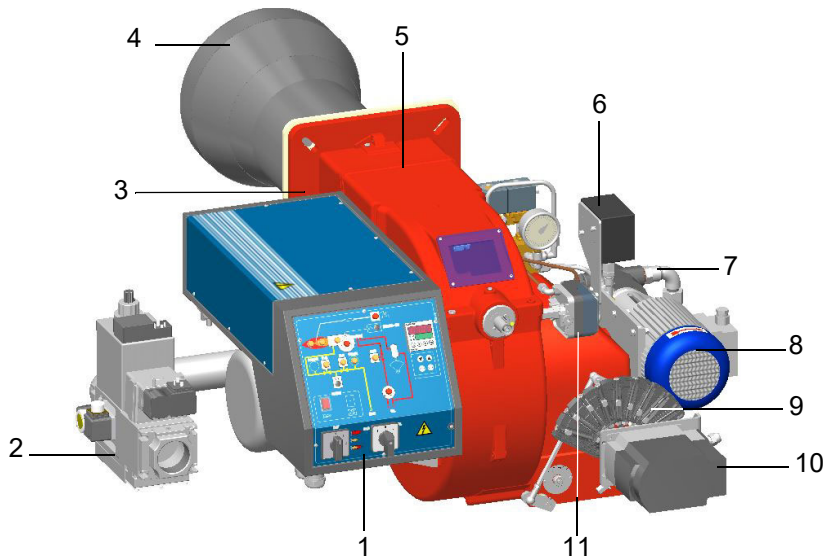
CEI EN 60335-1 (Specification for safety of household and similar electrical appliances);

UNI EN ISO 12100:2010 (Safety of machinery - General principles for design - Risk assessment and risk reduction);

PARTE I - CARATTERISTICHE TECNICHE

CARATTERISTICHE DEI BRUCIATORI

I bruciatori di questa serie sono bruciatori monoblocco in fusione di alluminio, in grado di bruciare indifferentemente sia gas sia gasolio, grazie alla particolare testa di combustione, la cui posizione può essere modificata permettendo di variare la geometria di fiamma e di ottenere una combustione efficiente con entrambi i combustibili.



- 1 Pannello sinottico con interruttore di accensione - quadro elettrico
- 2 Corpo valvole gas
- 3 Flangia
- 4 Gruppo Boccaglio - Testa di combustione
- 5 Coperchio
- 6 Pressostato olio
- 7 Pompa gasolio
- 8 Motore pompa
- 9 Settore variabile (solo su versione progressivo/modulante)
- 10 Servocomando
- 11 Pressostato aria

Nota: Il disegno è indicativo.

Fig. 1

Funzionamento a gas: il gas, proveniente dalla rete di distribuzione, passa attraverso il gruppo valvole, complete di filtro e stabilizzatore. Quest'ultimo mantiene la pressione nei limiti di utilizzo. I servocomandi, agiscono modo proporzionale sulle serrande di regolazione della portata dell'aria comburente e sulla valvola a farfalla del gas, consentendo di ottimizzare i valori del gas di scarico e, quindi, di ottenere un'efficace combustione.

Funzionamento a gasolio: il combustibile, proveniente dalla rete di distribuzione, viene inviato tramite la pompa all'ugello e da questo all'interno della camera di combustione in cui avviene la miscelazione con l'aria comburente e quindi lo sviluppo della fiamma.

Nei bruciatori la miscelazione tra l'olio e l'aria, essenziale per ottenere una combustione pulita ed efficiente, viene attivata mediante polverizzazione dell'olio in minutissime particelle. Questo processo si ottiene facendo passare l'olio in pressione attraverso l'ugello. La funzione principale della pompa è di trasferire l'olio dal serbatoio all'ugello nella quantità e pressione desiderate. Per regolare tale pressione, le pompe incorporano un regolatore di pressione (ad eccezione di alcuni modelli per i quali è prevista una valvola di regolazione separata). Altri tipi di pompe hanno due regolatori di pressione: uno per l'alta e uno per la bassa pressione (per applicazioni a due stadi con ugello singolo).

Il posizionamento della testa di combustione determina la potenza del bruciatore. Combustibile e comburente vengono incanalati in vie geometriche separate fino al loro incontro nella zona di sviluppo fiamma (camera di combustione). Il pannello sinottico, presente nella parte anteriore del bruciatore, indica gli stadi di funzionamento.

Categorie gas e paesi di applicazione

Paese					
AL, AT, BE, BG, CH, CY, CZ, DE, DK, EE, ES, FI, FR, GB, GR, HR, HU, IE, IS, IT, LT, LU, LV, MK, MT, NO, NL, PL, PT, RO, SE, SI, SK, TR					
Models: "...M-...", "...MG...", "...MN...", "...ME...", "...MD..."			Models: "...L-...", "...LG...", "...LN..."		
Gruppo			Gruppo		
E	LL	Er	B/P	B	P
H	L	E (R)	3R		
EK	2R				

I suddetti gruppi di gas possono essere combinati secondo lo standard EN437:2021 e la situazione nazionale dei paesi.

Identificazione dei bruciatori

I bruciatori vengono identificati con tipi e modelli. L'identificazione dei modelli è descritta di seguito.

Tipo	HP60	Modello	MG.	MD.	S-.	*IT.	A.	1.	50.
	(1)		(2)	(3)	(4)	(5)	(6)	(7)	(8)

Scelta del combustibile:

1	BRUCIATORE TIPO	HP60, HP65, HP72				
2	COMBUSTIBILE	MG - Gas metano-Gasolio LG - GPL-Gasolio				
3	REGOLAZIONE (Versioni disponibili)	PR - Progressivo MD - Modulante				
4	BOCCAGLIO	S- Standard				
5	PAESE DI DESTINAZIONE	* Vedere targa dati (IT= Italia)				
6	VERSIONI SPECIALI	A - Standard Y - Speciale				
7	EQUIPAGGIAMENTO (versioni disponibili)	0 = 2 valvole 1 = 2 valvole + controllo di tenuta 7 = 2 valvole+pressostato gas di massima 8 = 2 valvole + controllo di tenuta+pressostato gas di massima				
8	DIAMETRO RAMPA		HP60	HP65	HP72 ..0.xx	HP72 ..1.xx
		0.32	1" _{1/4} / Rp1 _{1/4}	1" _{1/4} / Rp1 _{1/4}	-	-
		0.40	1" _{1/2} / Rp1 _{1/2}	1" _{1/2} / Rp1 _{1/2}	1" _{1/2} / Rp1 _{1/2}	1" _{1/2} / Rp1 _{1/2}
		0.50	2" / Rp2	2" / Rp2	2" / Rp2	2" / Rp2
		0.65	2" _{1/2} / DN65	2" _{1/2} / DN65	2" _{1/2} / DN65	2" _{1/2} / DN65
	0.80	-	-	3" / DN80	3" / DN80	

Dati generali del bruciatore

TIPO BRUCIATORE		HP60 MG ...0.xx	HP65 MG ...0.xx	HP72 MG ...0.xx	HP72 MG ...1.xx	HP60 LG. ...0.xx	HP65 LG. ...0.xx	HP72 LG. ...0.xx	HP72 LG. ...1.xx
Potenzialità	min.- max. kW	170 - 880	270-970	330-1200	330-1550	170 - 880	270-970	330-1200	330-1550
Combustibile		Gas naturale - Gasolio				G.P.L. - Gasolio			
Categoria		(vedi paragrafo successivo)				I _{3B/P}			
Protezione		IP40							
Temperatura di funzionamento	°C	-10 ÷ +50							
Temperatura di immagazzinamento	°C	-20 ÷ +60							
Tipo di servizio (4)		Intermittente							
Tipo di regolazione		Progressivo - Modulante							

Dati elettrici 50 Hz

Tensioni possibili, verificare l'effettiva tensione di alimentazione Trifase e Monofase sulla targa dati del bruciatore.

		HP60 MG/LG	HP65 MG/LG	HP72 MG/LG
Alimentazione elettrica trifase	V	230 / 400 3 a.c.		
Alimentaz. elettrica Aux Monofase	V	115 2 a.c. / 220 2 a.c. / 230 1N a.c.		
	Hz	50		
Motore ventilatore	kW	1,1	1,5	2.2
Motore pompa	kW	0,55	0,55	0,55
Potenza elettrica totale	kW	2,15	2,55	3.25

Dati elettrici 60 Hz

Tensioni possibili, verificare l'effettiva tensione di alimentazione Trifase e Monofase sulla targa dati del bruciatore.

		HP60 MG/LG	HP65 MG/LG	HP72 MG/LG
Alimentazione elettrica trifase	V	220 / 230 / 265 / 277 / 380 / 440 / 460 / 480 / 525 3 a.c.		
Alimentaz. elettrica Aux Monofase	V	110 / 120 / 230 2 a.c.		
	Hz	60		
Motore ventilatore	kW	1,32	1,8	2.64
Motore pompa	kW	0,66	0,66	0,66
Potenza elettrica totale	kW	2,48	2,96	3.8

Dati sul combustibile

		HP60 MG	HP65 MG	HP72 MG	HP72 MG	HP60 LG	HP65 LG	HP72 LG	HP72 LG
Portata gas - Gas metano (1)	min.- max.	18-93	29-103	35-127	**	-	-	-	-
Portata gas - GPL		-	-	-	-	6.3-33	10-36	12-45	12.3-58
Pressione gas (2)	mbar	(Nota2)							
Portata gasolio	min. - max. kg/h	14-74	23-82	28-101	28-131	14-74	23-82	28-101	28-131
Viscosità gasolio		2 - 7,4							
Densità gasolio	kg/m ³	840							
Pressione ingresso rampa gasolio	max. bar	2							
Viscosità gasolio	cSt @ 40 °C	2 - 7,4							

(*) **NOTA SUL TIPO DI SERVIZIO DEL BRUCIATORE:** l'apparecchiatura di controllo fiamma si arresta automaticamente dopo 24 ore di funzionamento continuo. Il dispositivo si riavvia immediatamente sempre in modo automatico.

Nota 1:	Tutte le portate gas sono in Stm^3 / h (pressione assoluta 1.013 mbar e temperatura 15 °C) e valgono per Gas G20 (potere calorifico inferiore $H_i = 34,02 \text{ MJ} / \text{Stm}^3$); per G.P.L. (potere calorifico inferiore $H_i = 93,5 \text{ MJ} / \text{Stm}^3$).	
Nota 2:	Pressione gas massima	360 mbar (con valvole Dungs MBDLE).
		500 mbar (con valvole Siemens VGD o Dungs MultiBloc MBE).
	Pressione gas minima	vedi curve pressione gas in rete.
Nota 3:	Il bruciatore dev'essere installato in luogo chiuso e con umidità ambientale non superiore all'80%.	
Nota 4:	Con elettrodo: per ragioni di sicurezza il bruciatore deve fermarsi automaticamente ogni 24 ore.	
Nota 5:	Il tipo di servizio può essere continuo (presenza segnale fiamma per più di 24 h senza alcun stop) o intermittente (almeno una volta ogni 24 h si ha un arresto di lavoro e la fiamma viene spenta) in base alla configurazione ordinata. Funzionamento può essere continuo in presenza di rilevazione fiamma mediante ION ionizzazione o fotocellule Siemens QRI..., QRA5..., QRA7... o Lamtec FSS... con apparecchiature controllo fiamma (BMS) Siemens LMV37x o LMV5x e Lamtec BT3...	

Tipo di combustibile utilizzato

ATTENZIONE! Utilizzare il bruciatore solo con il combustibile indicato in targa dati.

Tipo	--
Modello	--
Anno	--
Mat.	--
Port.	--
Port. Olio	--
Comb.	--
Cat	--
Press	--
Visc	--
Tens.	--
Pot.Elet.	--
P.Vent.	--

Le caratteristiche tecniche dei bruciatori riportate in questo manuale, fanno riferimento a gas naturale (potere calorifico $H_i = 9.45 \text{ kWh/Stm}^3$, densità $\rho = 0.717 \text{ Kg/Stm}^3$) e GPL (potere calorifico $H_i = 26.79 \text{ kWh/Stm}^3$, densità $\rho = 2.151 \text{ Kg/Stm}^3$). Per combustibile come gas città e biogas, moltiplicare i valori di portata e pressione per i coefficienti correttivi riportati in tabella.

Combustibile	H_i (KWh/Stm ³)	ρ (kg/Stm ³)	f_Q	f_p
Gas di città	4,88	0,6023	1,936	3,3
Biogas	6,395	1,1472	1,478	3,5

Ad esempio, per calcolare portata e pressione per biogas:

$$Q_{biogas} = Q_{naturalGas} \cdot 1,478$$

$$p_{biogas} = p_{naturalGas} \cdot 3,5$$



ATTENZIONE! Il tipo e la regolazione della testa di combustione dipendono dal gas bruciato. Il bruciatore deve essere utilizzato solo per l'uso previsto indicato in targa dati.

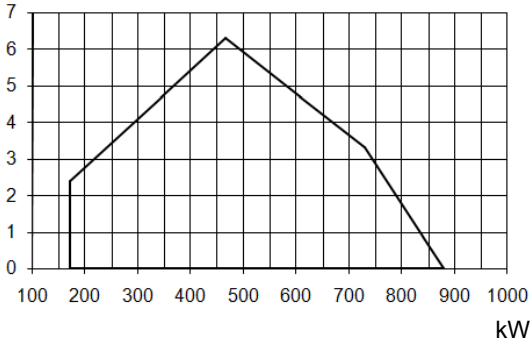


ATTENZIONE! I fattori correttivi riportati in tabella dipendono dalla composizione del combustibile e quindi dal suo potere calorifico H_i e densità ρ . I valori sopra riportati vanno intesi esclusivamente come valori di riferimento.

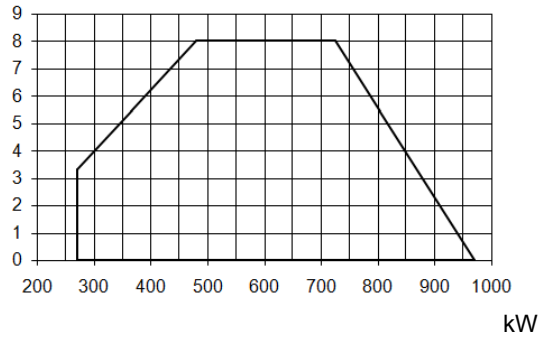
Campi di Lavoro

PRESSIONE IN
 CAMERA DI COMBUSTIONE mbar

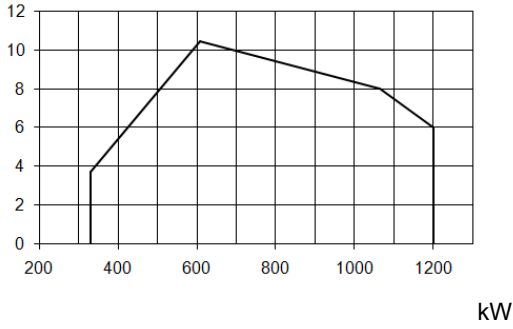
HP60



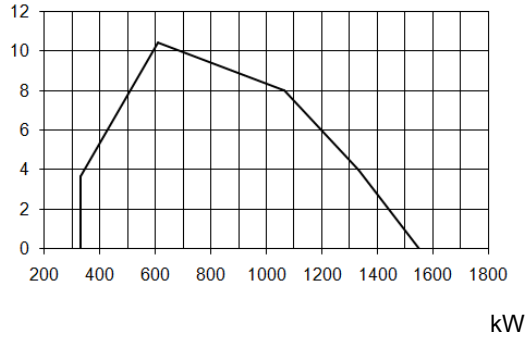
HP65



HP72 ...0.xx

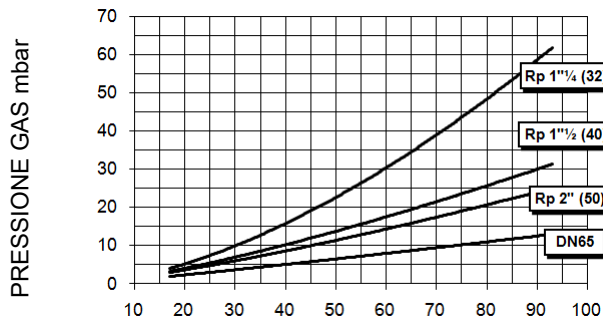


HP72 ..1.xx

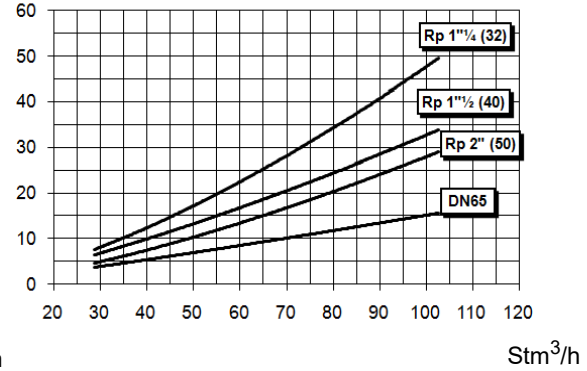


Curve pressione in rete - portata gas (gas naturale)

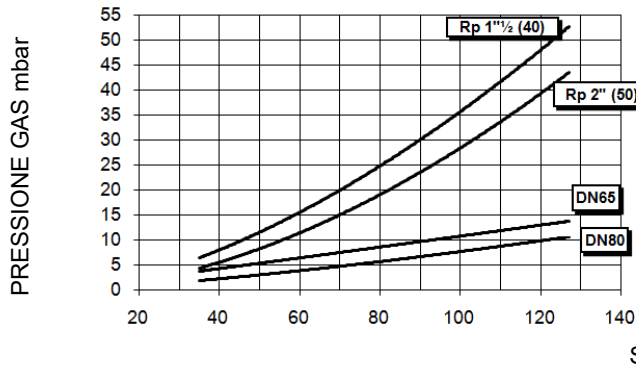
HP60



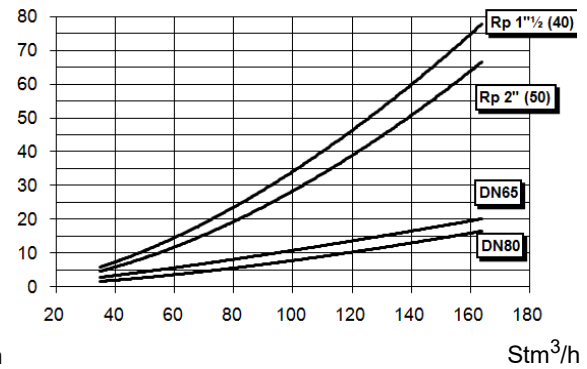
HP65



HP72 ...0.xx



HP72 ...1.xx



ATTENZIONE! in ascissa è riportato il valore della portata gas, in ordinata il corrispondente valore di pressione in rete al netto della pressione in camera di combustione. Per conoscere la pressione minima in ingresso rampa, necessaria per ottenere la portata gas richiesta, bisogna sommare la pressione in camera di combustione al valore letto in ordinata.

Per ottenere la potenza in kcal/h, moltiplicare il valore di potenza in kW per 860.

I dati sono riferiti a condizioni standard: pressione atmosferica pari a 1013 mbar, temperatura ambiente pari a 15° C.

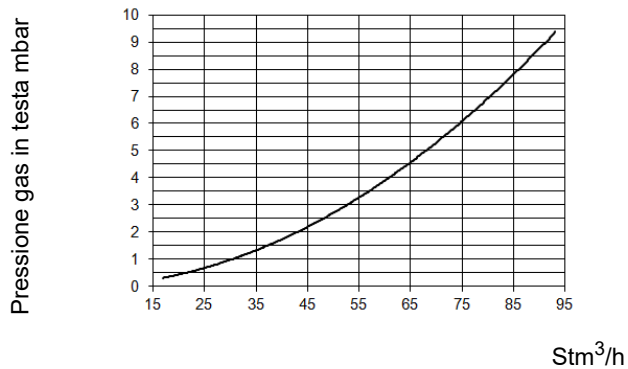
AVVERTENZA: Il campo di lavoro è un diagramma che rappresenta le prestazioni ottenute in sede di omologazione o prove di laboratorio ma non rappresenta il campo di regolazione della macchina. Il punto di massima potenza di tale diagramma è in genere ottenuto impostando la testa di combustione nella sua posizione "max" (vedi paragrafo "Regolazione della testa di combustione"); il punto di minima potenza è al contrario ottenuto impostando la testa nella sua posizione "min". Essendo la testa posizionata una volta per tutte durante la prima accensione in maniera tale da trovare il giusto compromesso tra potenza bruciata e caratteristiche del generatore, non è detto che la potenza minima di utilizzo sia la potenza minima che si legge sul campo di lavoro.

Curve pressione in testa del gas - portata gas (gas naturale)

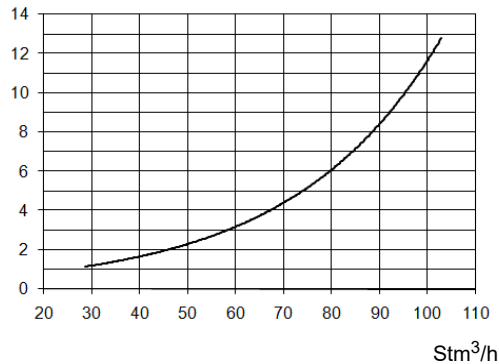


Le curve sono applicabili per pressione = 0 mbar in camera di combustione!

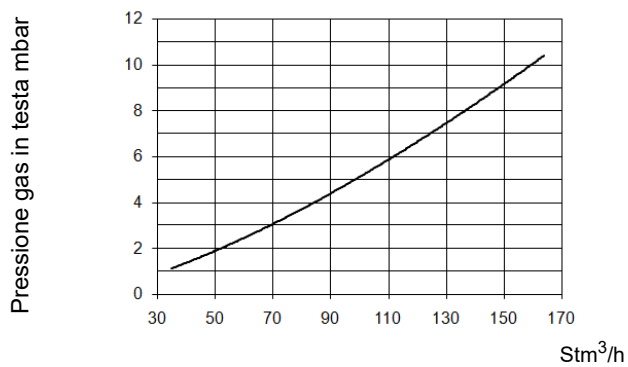
HP60



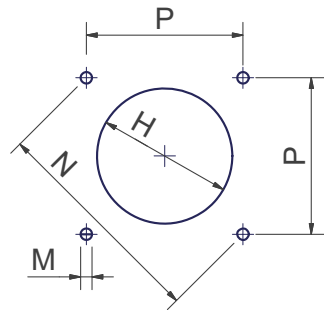
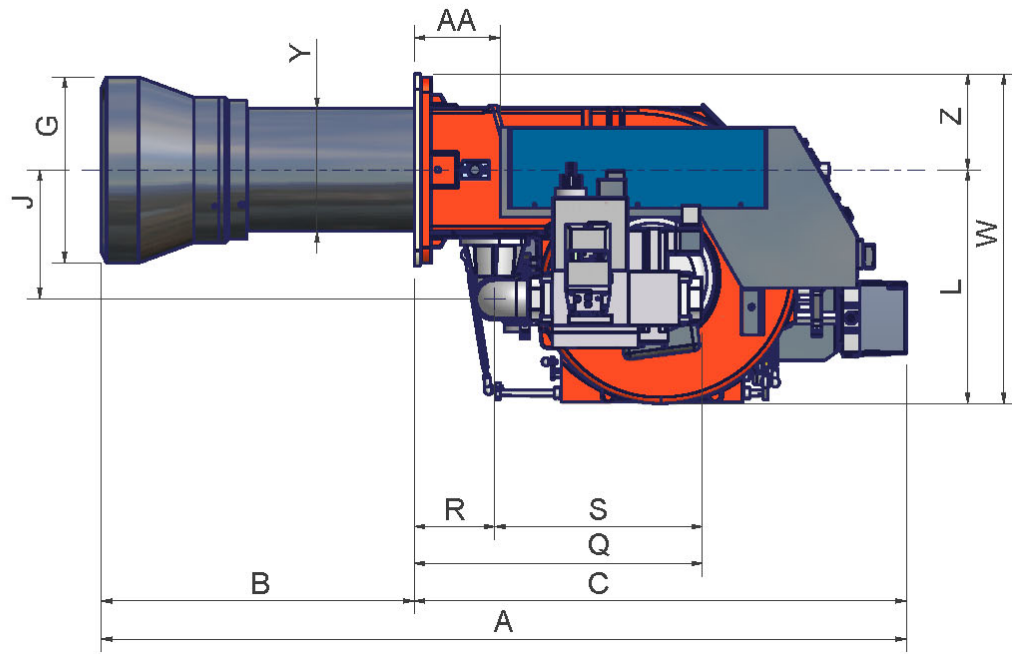
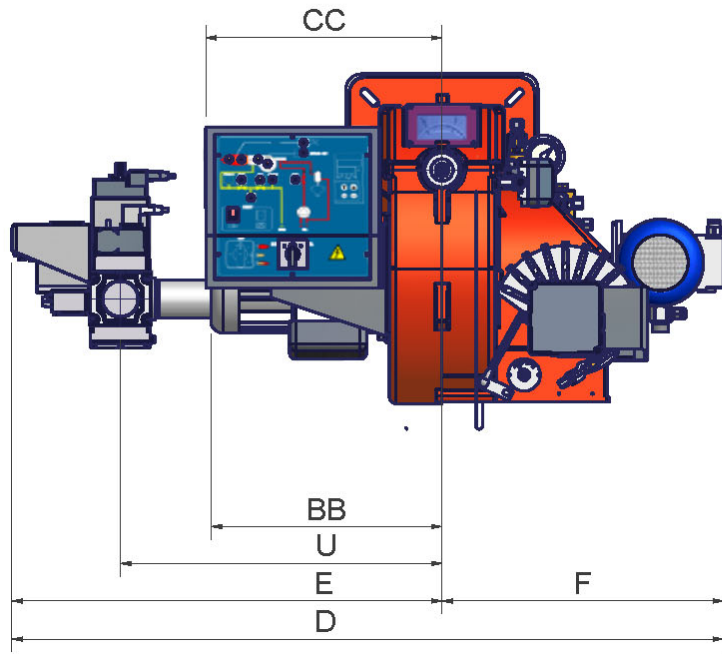
HP65



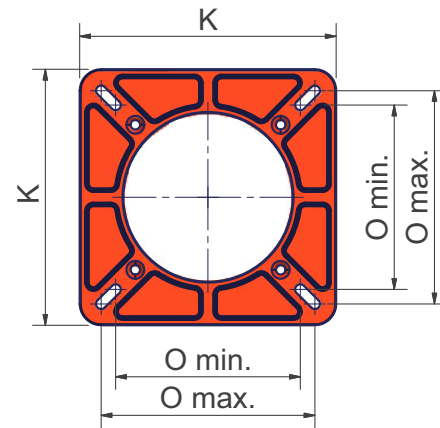
HP72



Dimensioni di ingombro in mm



Foratura caldaia consigliata



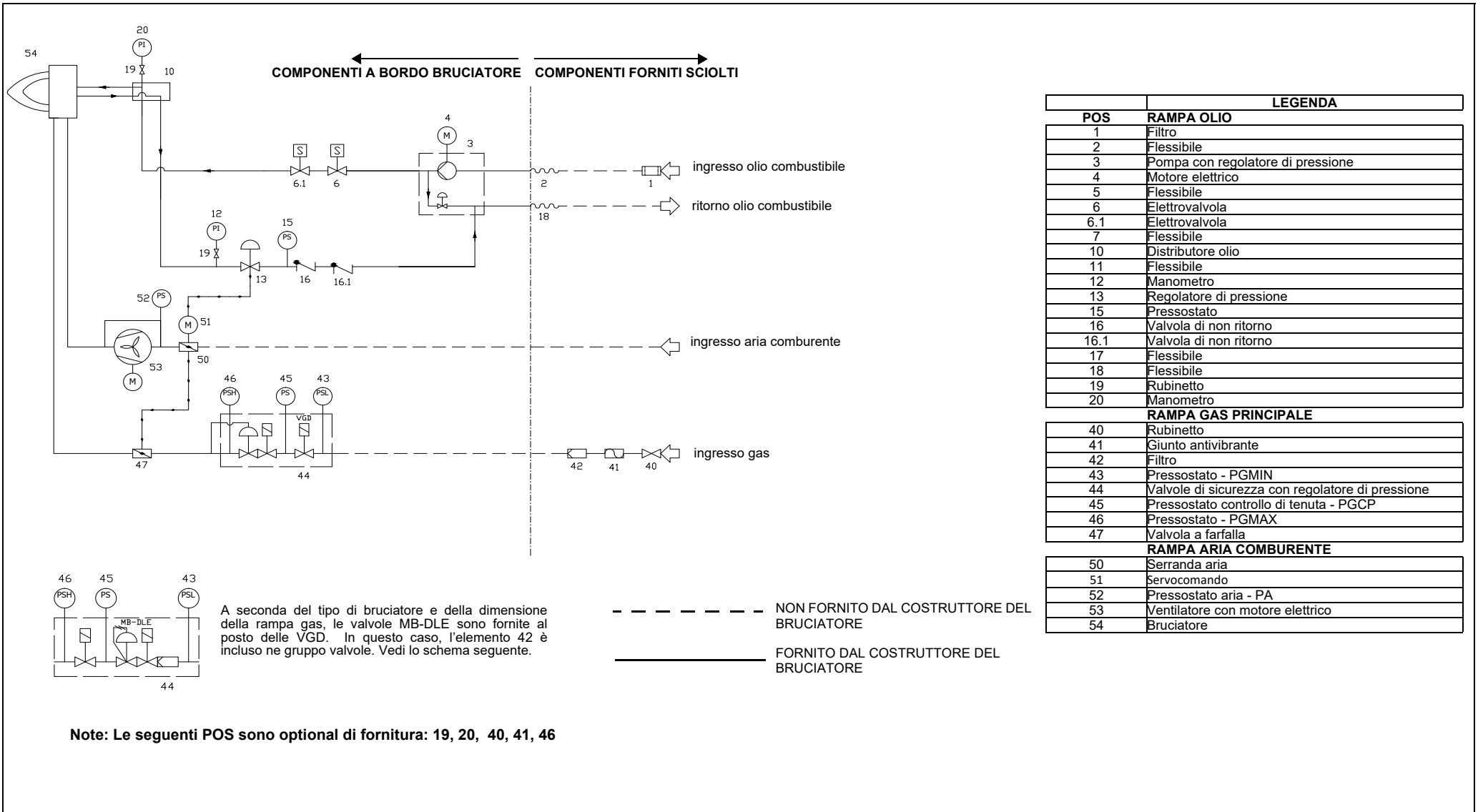
	DN	A	AA	B	BB	C	CC	D	E	F	G	H	J	K	L	M	N	O - min	O - max	P	Q	R	S	U	V	W	Y	Z
HP60 MG..0.32	32	1119	99	383	314	736	362	930	595	430	240	280	210	240	344	M10	269	190	190	190	463	112	256	444	x	464	162	120
HP60 MG..0.40	40	1153	99	383	314	770	362	1044	500	415	240	280	202	240	344	M10	269	190	190	190	439	112	327	444	x	464	162	120
HP60 MG.. 0.50	50	1153	99	383	314	770	362	930	500	430	240	280	210	240	344	M10	269	190	190	190	445	112	335	519	x	464	162	120
HP60 MG.. 0.65	65	1153	99	383	314	770	362	1115	685	430	240	280	250	240	420	M10	269	190	190	190	845	112	403	540	313	540	162	120
HP60 LG..0.32	32	1119	99	364	314	736	362	930	595	430	240	280	210	240	344	M10	269	190	190	190	463	112	256	444	x	464	162	120
HP60 LG..0.40	40	1153	99	364	314	770	362	1044	500	415	240	280	202	240	344	M10	269	190	190	190	439	112	327	444	x	464	162	120
HP60 LG.. 0.50	50	1153	99	364	314	770	362	930	500	430	240	280	210	240	344	M10	269	190	190	190	445	112	335	519	x	464	162	120
HP60 LG.. 0.65	65	1153	99	364	314	770	362	1115	685	430	240	280	250	240	420	M10	269	190	190	190	845	112	403	540	313	540	162	120
HP65 xG.. 0.32	32	1156	139	362	347	794	382	1022	588	454	240	280	208	300	376	M10	330	216	250	233	463	130	256	539	x	531	162	155
HP65 xG.. 1.32	32	1156	139	362	347	794	382	1148	714	454	240	280	208	300	376	M10	330	216	250	233	463	130	256	539	x	531	162	155
HP65 xG.. 0.40	40	1156	139	362	347	794	382	1022	579	454	240	280	208	300	376	M10	330	216	250	233	457	130	327	535	x	531	162	155
HP65 xG.. 1.40	40	1156	139	362	347	794	382	1148	710	454	240	280	208	300	376	M10	330	216	250	233	457	130	327	535	x	531	162	155
HP65 xG.. 0.50	50	1156	139	362	347	794	382	1022	568	454	240	280	208	300	376	M10	330	216	250	233	465	130	335	519	x	531	162	155
HP65 xG.. 1.50	50	1156	139	362	347	794	382	1148	694	454	240	280	208	300	376	M10	330	216	250	233	465	130	335	519	x	531	162	155
HP65 xG..0.65	65	1156	139	362	347	794	382	1120	666	454	240	280	275	300	393	M10	330	216	250	233	533	130	403	565	313	548	162	155
HP65 xG..1.65	65	1156	139	362	347	794	382	1226	772	454	240	280	275	300	393	M10	330	216	250	233	533	130	403	565	313	548	162	155
HP72 xG.. 0.40	40	1299	139	505	373	794	382	1022	584	454	300	340	208	300	376	M10	330	216	250	233	457	130	327	519	x	531	198	155
HP72 xG..1.40	40	1299	139	505	373	794	382	1148	710	454	300	340	208	300	376	M10	330	216	250	233	457	130	327	519	x	531	198	155
HP72 xG.. 0.50	50	1299	139	505	373	794	382	1022	568	454	300	340	208	300	376	M10	330	216	250	233	465	130	335	519	x	531	198	155
HP72 xG..1.50	50	1299	139	505	373	794	382	1148	694	454	300	340	208	300	376	M10	330	216	250	233	465	130	335	519	x	531	198	155
HP72 xG..0.65	65	1299	139	505	373	794	382	1120	666	454	300	340	275	300	393	M10	330	216	250	233	533	130	403	565	313	548	198	155
HP72 xG..1.65	65	1299	139	505	373	794	382	1226	772	454	300	340	275	300	393	M10	330	216	250	233	533	130	403	565	313	548	198	155
HP72 xG.. 0.80	80	1299	139	505	373	794	382	1120	666	454	300	340	275	300	407	M10	330	216	250	233	574	130	444	565	344	562	198	155
HP72 xG..1.80	80	1299	139	505	373	794	382	1228	774	454	300	340	275	300	407	M10	330	216	250	233	574	130	444	565	344	562	198	155
HP72 xG..0.100	100	1299	139	505	373	794	382	1395	941	454	300	340	434	300	579	M10	330	216	250	233	653	130	523	824	405	734	198	155
HP72 xG..1.100	100	1299	139	505	373	794	382	1503	1049	454	300	340	434	300	579	M10	330	216	250	233	653	130	523	824	405	734	198	155

*DN = diametro valvole gas

HP60 - HP72:

Si consiglia di montare una controflangia tra bruciatore e caldaia. Tra controflangia e generatore prevedere guarnizione. In alternativa, fare il foro H più piccolo, ma superiore a Y, e montare il bocchello dall'interno della caldaia.

Fig. 2 - 3I2MG-09 v1 Schema idraulico



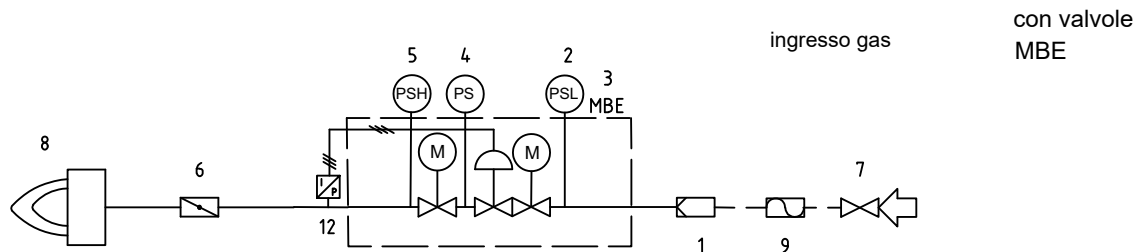
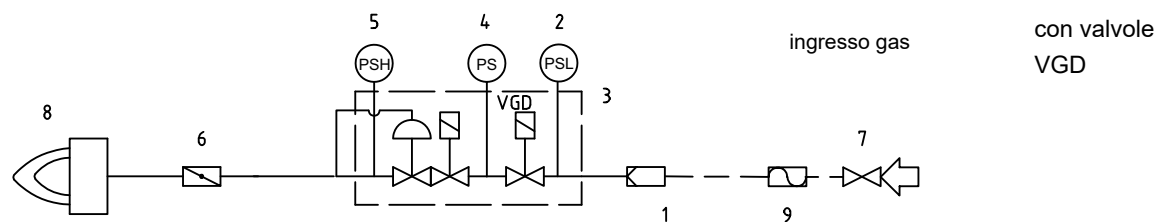
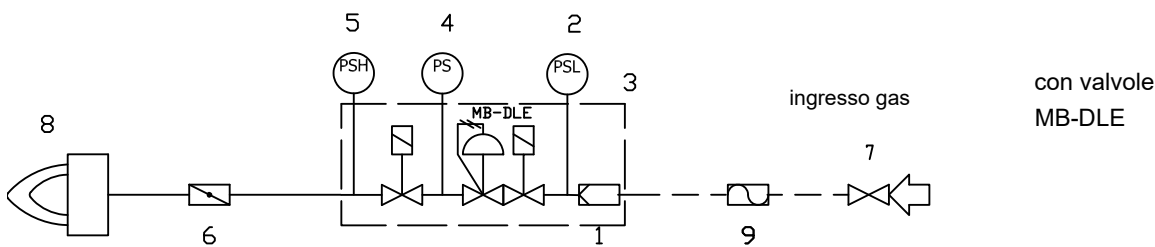
LEGENDA	
POS	RAMPA OLIO
1	Filtro
2	Flessibile
3	Pompa con regolatore di pressione
4	Motore elettrico
5	Flessibile
6	Elettrovalvola
6.1	Elettrovalvola
7	Flessibile
10	Distributore olio
11	Flessibile
12	Manometro
13	Regolatore di pressione
15	Pressostato
16	Valvola di non ritorno
16.1	Valvola di non ritorno
17	Flessibile
18	Flessibile
19	Rubinetto
20	Manometro
RAMPA GAS PRINCIPALE	
40	Rubinetto
41	Giunto antivibrante
42	Filtro
43	Pressostato - PGMIN
44	Valvole di sicurezza con regolatore di pressione
45	Pressostato controllo di tenuta - PGCP
46	Pressostato - PGMAX
47	Valvola a farfalla
RAMPA ARIA COMBURENTE	
50	Serranda aria
51	Servocomando
52	Pressostato aria - PA
53	Ventilatore con motore elettrico
54	Bruciatore

COLLEGAMENTO DELLA RAMPA DEL GAS



ATTENZIONE: Prima di eseguire i collegamenti alla rete di distribuzione del gas, accertarsi che le valvole manuali di intercettazione siano chiuse. leggere attentamente il capitolo "avvertenze" del presente manuale.

I diagrammi seguenti mostrano alcuni esempi di possibili rampe gas con i componenti forniti con il bruciatore e quelli montati dall'installatore. Le rampe gas e il collegamento del bruciatore alla linea di alimentazione del combustibile devono essere eseguiti in conformità alle normative locali vigenti.



Legenda:

- 1 Filtro
- 2 Pressostato di bassa pressione - PGMIN
- 3 Valvola di sicurezza
- 4 Pressostato controllo di tenuta - PGCP(*opzionale)
- 5 Pressostato di alta pressione PGMAX: obbligatorio per MBE, opzionale per VGD e MB-DLE
- 6 Valvola a farfalla

- 7 Valvola manuale a monte rampa
- 8 Bruciatore principale
- 9 Giunto antivibrante (*opzione)
- 12 Sensore di pressione MBE

Come interpretare il “Campo di lavoro” del bruciatore

Per verificare se il bruciatore è idoneo al generatore di calore al quale deve essere applicato, servono i seguenti parametri:

- Potenzialità al focolare della caldaia in kW o kcal/h (kW = kcal/h/860);
- Pressione in camera di combustione, definita anche perdita di carico (Δp) lato fumi (il dato dovrà essere ricavato dalla targa dati o dal manuale del generatore di calore).

Esempio:

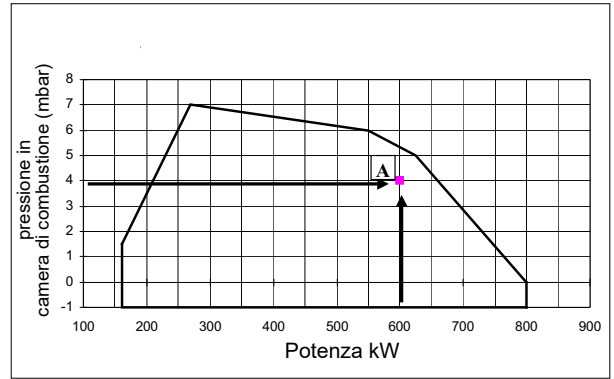
Potenza al focolare del generatore: 600 kW

Pressione in camera di combustione: 4 mbar

Tracciare, sul diagramma “Campo di lavoro” del bruciatore, una retta verticale in corrispondenza della potenza al focolare e una retta orizzontale in corrispondenza del valore di pressione di interesse.

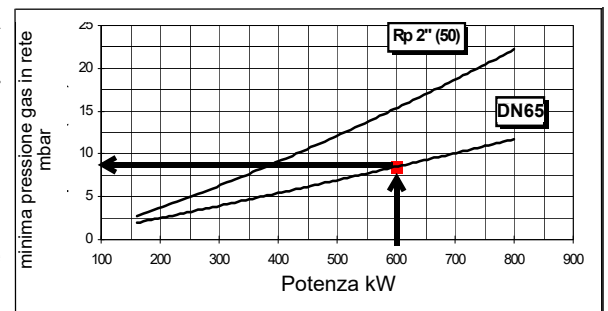
Il bruciatore è idoneo solo se il punto di intersezione “A” delle due rette, ricade all’interno del campo di lavoro.

I dati sono riferiti a condizioni standard: pressione atmosferica pari a 1013 mbar, temperatura ambiente pari a 15°C.



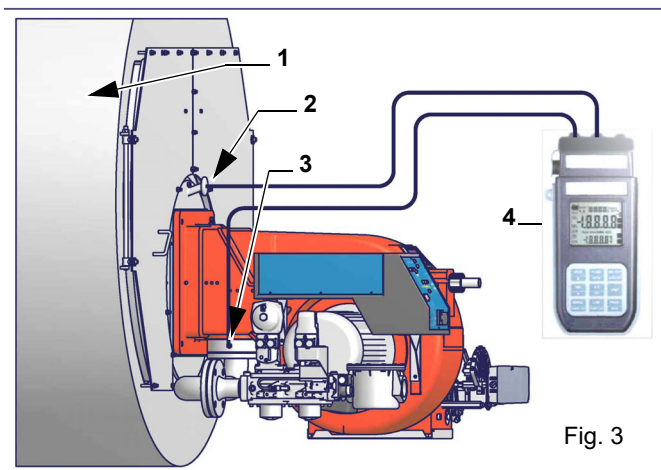
Verifica del corretto diametro della rampa gas

Per verificare il corretto diametro della rampa gas, è necessario conoscere la pressione del gas disponibile a monte delle valvole gas del bruciatore. A questa pressione, quindi, si deve sottrarre la pressione in camera di combustione. Il dato risultante, sarà denominato p_{gas} . Tracciare, ora, una retta verticale in corrispondenza del valore di potenza del generatore di calore (nell'esempio, 600 kW), riportato in ascissa, fino ad incontrare la curva di pressione in rete corrispondente al diametro della rampa montata nel bruciatore in esame (DN65, nell'esempio). Dal punto di intersezione, tracciare una retta orizzontale fino a ritrovare, in ordinata, il valore di pressione necessaria a sviluppare la potenza richiesta dal generatore. Il valore letto, dovrà essere uguale o inferiore al valore p_{gas} , calcolato in precedenza.



Curve di pressione del gas in testa di combustione in funzione della portata

Le curve di pressione in testa di combustione in funzione della portata gas, sono valide nel caso di bruciatore correttamente regolato (percentuale di O₂ residuo nei fumi come da tabella “Parametri di combustione consigliati” e CO entro i limiti di norma). In questo stadio, la testa di combustione, la farfalla del gas e il servocomando sono alla massima apertura. Fare riferimento alla Fig. 3, che indica il modo corretto per misurare la pressione del gas, tenendo conto dei valori di pressione in camera di combustione, rilevati dal manometro o dalle caratteristiche tecniche della caldaia/utilizzo.



Nota: Il disegno è indicativo.

- 1 Generatore
- 2 Presa di pressione in camera di combustione
- 3 Presa di pressione gas valvola a farfalla
- 4 Manometro differenziale



ATTENZIONE: la portata del gas bruciato deve essere letta al contatore. nel caso non fosse possibile, l'utente può fare riferimento alle curve di pressione come valori puramente indicativi.

Misura della pressione del gas in testa di combustione

Inserire le sonde relative agli ingressi del manometro: una nella presa di pressione della camera di combustione per rilevare il dato di pressione in camera di combustione e l'altra nella presa di pressione gas della valvola a farfalla del bruciatore, per rilevare la pressione nella testa di combustione. In base alla pressione differenziale, così rilevata, si ricava il dato relativo alla portata gas massima: utilizzando i grafici delle curve pressione-portata in testa di combustione al paragrafo successivo, dal dato relativo alla pressione in testa (riportato in ordinata) si ricava il valore della portata bruciata in Stm^3/h , riportata in ascissa. I dati ricavati devono essere utilizzati per la regolazione della portata del gas.

MONTAGGI E ALLACCIAMENTI

Trasporto e stoccaggio

Gli imballi contenenti i bruciatori devono essere bloccati all'interno del mezzo di trasporto in modo da garantire l'assenza di pericolosi spostamenti ed evitare ogni possibile danno.

In caso di stoccaggio, i bruciatori devono essere custoditi all'interno dei loro imballi, in magazzini protetti dalle intemperie. Evitare luoghi umidi o corrosivi e rispettare le temperature indicate nella tabella dati bruciatori presente all'inizio di questo manuale.

Imballaggio

I bruciatori vengono consegnati in gabbie di legno di dimensioni:

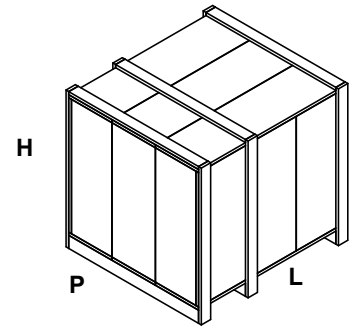
- **1370mm x 930mm x 820mm (L x P x H)**

Tali imballi temono l'umidità e non sono adatti ad essere impilati.

All'interno di ciascun imballo sono inseriti: In ogni cassa di imballaggio vengono inseriti i seguenti elementi: Questi imballaggi sono danneggiati dall'umidità e non si può superare il numero massimo di confezioni sovrapposte indicato all'esterno dell'imballaggio.

- bruciatore con rampa gas staccata;
- guarnizione o corda in fibra ceramica (a seconda del tipo bruciatore) da interporre tra bruciatore e caldaia;
- busta contenente documentazione.
- flessibili olio;

Per smaltire l'imballo ed in caso di rottamazione del bruciatore, seguire le procedure previste dalle leggi vigenti sullo smaltimento dei materiali.



Sollevamento e movimentazione del bruciatore



ATTENZIONE! Le operazioni di sollevamento e movimentazione devono essere condotte da personale specializzato ed addestrato per la movimentazione dei carichi. Qualora queste operazioni non siano effettuate correttamente, permane il rischio residuo di rovesciamento e caduta della macchina.

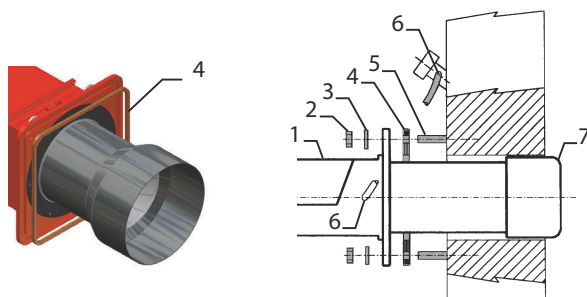
Per la movimentazione utilizzare mezzi con portata adeguata al peso da sostenere (consultare il paragrafo "Caratteristiche tecniche").

Montaggio del bruciatore alla caldaia

Per installare il bruciatore alla caldaia, procedere nel modo seguente:

- 1 forare la piastra di chiusura della camera di combustione come descritto al paragrafo "Dimensioni di ingombro";
- 2 accostare il bruciatore alla piastra della caldaia: sollevare e movimentare il bruciatore utilizzando un carrello elevatore a forche (vedi paragrafo "Sollevamento e movimentazione");
- 3 posizionare i 4 prigionieri (5) secondo la dima di foratura descritta al paragrafo "Dimensioni di ingombro";
- 4 avvitare i prigionieri (5);
- 5 posizionare la guarnizione sulla flangia del bruciatore;
- 6 montare il bruciatore alla caldaia;
- 7 fissarlo con i dadi ai prigionieri della caldaia secondo lo schema riportato in figura.

Terminato il montaggio del bruciatore alla caldaia, sigillare lo spazio tra il boccaglio e la pigiata refrattaria, con apposito materiale isolante (cordone in fibra resistente alla temperatura o cemento refrattario)



Legenda

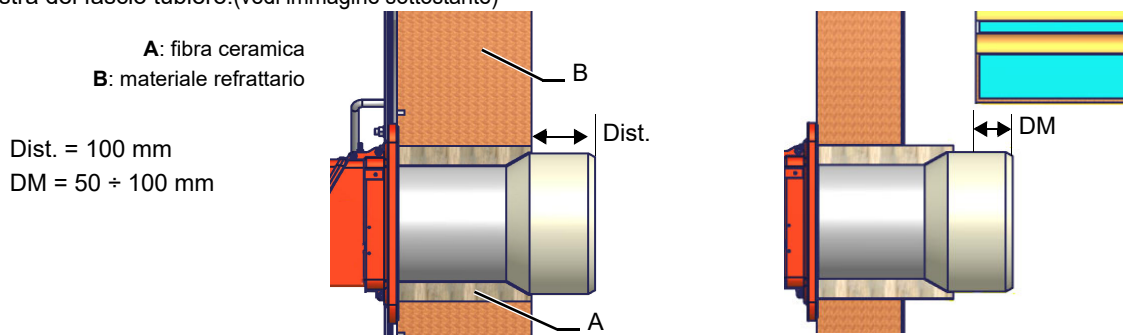
- 1 Bruciatore
- 2 Dado di fissaggio
- 3 Rondella
- 4 Guarnizione
- 5 Prigioniero
- 7 Boccaglio

Il bruciatore nasce per funzionare posizionato secondo la figura riportata sotto. Per installazioni diverse, si prega di contattare il Costruttore.

Abbinamento del bruciatore alla caldaia

I bruciatori descritti in questo manuale sono stati provati in camere di combustione rispondenti alla norma EN676, le cui dimensioni sono descritte nel diagramma. Nel caso in cui il bruciatore debba essere abbinato a caldaie con camera di combustione di diametro inferiore o di minore lunghezza di quelle descritte nel diagramma, contattare il Costruttore per verificare che esso si adatti all'applicazione per cui è previsto. Per abbinare correttamente il bruciatore alla caldaia, verificare la tipologia di boccaglio. Verificare inoltre che la potenza richiesta e la pressione in camera di combustione rientrino nel campo di lavoro. In caso contrario dovrà essere rivista la scelta del bruciatore, consultando il Costruttore. Per la scelta della lunghezza del boccaglio ci si deve attenere alle istruzioni del Costruttore della caldaia. In mancanza di queste ci si orienterà nel seguente modo:

- Caldaie a tre giri di fumo (con il primo giro fumi nella parte posteriore): il boccaglio deve entrare in camera di combustione per non più di **Dist** = 100 mm. (vedi immagine sottostante)
- Caldaie ad inversione di fiamma: in questo caso il boccaglio dovrà penetrare in camera di combustione per **Dm** 50 ÷ 100 mm, rispetto alla piastra del fascio tubiero. (vedi immagine sottostante)



ATTENZIONE! Sigillare con cura lo spazio libero tra boccaglio e tampone in refrattario della caldaia per mezzo di corda in fibra ceramica o altri mezzi idonei

La lunghezza dei boccagli non sempre soddisfa questo requisito, pertanto potrebbe essere necessario utilizzare un distanziale di misura adeguata, che serve a far arretrare il bruciatore in modo da soddisfare le misure di cui sopra; oppure progettare un boccaglio adeguato all'utilizzo (contattare il costruttore).

COLLEGAMENTO RAMPA GAS



ATTENZIONE: prima di eseguire i collegamenti alla rete di distribuzione del gas, accertarsi che le valvole manuali di intercettazione siano chiuse. Leggere attentamente il capitolo “avvertenze” del presente manuale.



ATTENZIONE: si consiglia di montare filtro e valvole gas, in modo tale che non cada del materiale estraneo all'interno delle valvole in fase di manutenzione e pulizia dei filtri (sia quelli esterni al gruppo valvole, sia quelli interni al gruppo, vedi capitolo “Manutenzione”).



ATTENZIONE: una volta montata la rampa, deve essere effettuata la prova di tenuta del circuito gas, secondo le modalità previste dalla normativa vigente.

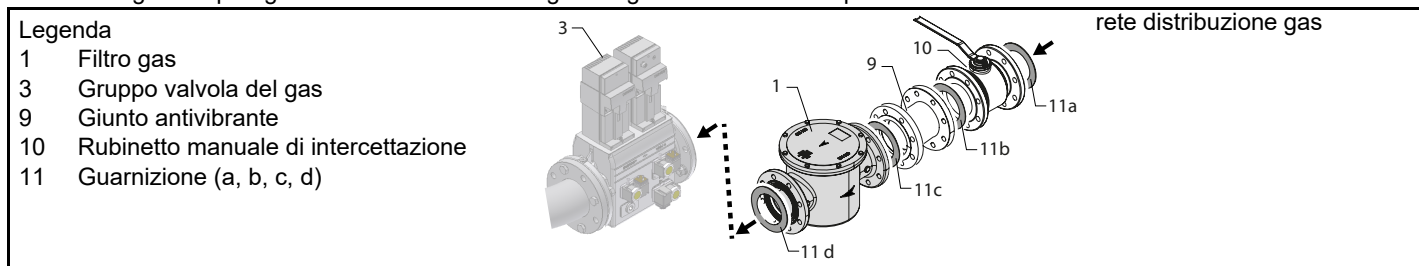


ATTENZIONE: la direzione del flusso di gas deve seguire la freccia sul corpo dei componenti montati sulla rampa gas (valvole, filtri, giunti...).



Il giunto antivibrante, il rubinetto di intercettazione NON fanno parte della fornitura standard. Vengono di seguito riportate le procedure di installazione dei gruppi valvole utilizzati nelle diverse rampe

Facendo seguito al paragrafo “Schemi idraulici” la figura seguente mostra i componenti montati dall’installatore.



Montaggio corpo valvola sulla linea gas dedicata: per montare i gruppi valvole gas, sono necessarie 2 flange filettate o flangiate a seconda del diametro

<ul style="list-style-type: none"> ● Nel caso di flange filettate: per impedire l’ingresso di corpi estranei nella valvola montare dapprima le flange sulla tubazione, ● pulire le parti assemblate e successivamente montare la valvola in modo che la direzione del flusso di gas segua la freccia sul corpo della valvola ● assicurarsi che gli O-ring siano correttamente posizionati tra le flange e la valvola <p>In tutti i casi:</p> <ul style="list-style-type: none"> ● assicurarsi che le guarnizioni siano correttamente posizionate tra le flange; ● fissare tutti i componenti con le viti, secondo gli schemi riportati; ● assicurarsi che i bulloni sulle flange siano accuratamente serrati; ● verificare che le connessioni di tutti i componenti siano a tenuta. 	
	<p>ATTENZIONE: Usare guarnizioni idonee al gas utilizzato.</p>
	<p>ATTENZIONE: Aprire lentamente il rubinetto del combustibile onde evitare la rottura del regolatore di pressione.</p>

Filtro Gas (se presente)

I filtri per gas fermano le particelle di polvere portate dal gas e proteggono gli elementi in pericolo (es.: valvole bruciatori, contatori e regolatori) da un rapido intasamento. Il filtro è normalmente posizionato a monte di tutti gli organi di regolazione e intercettazione.

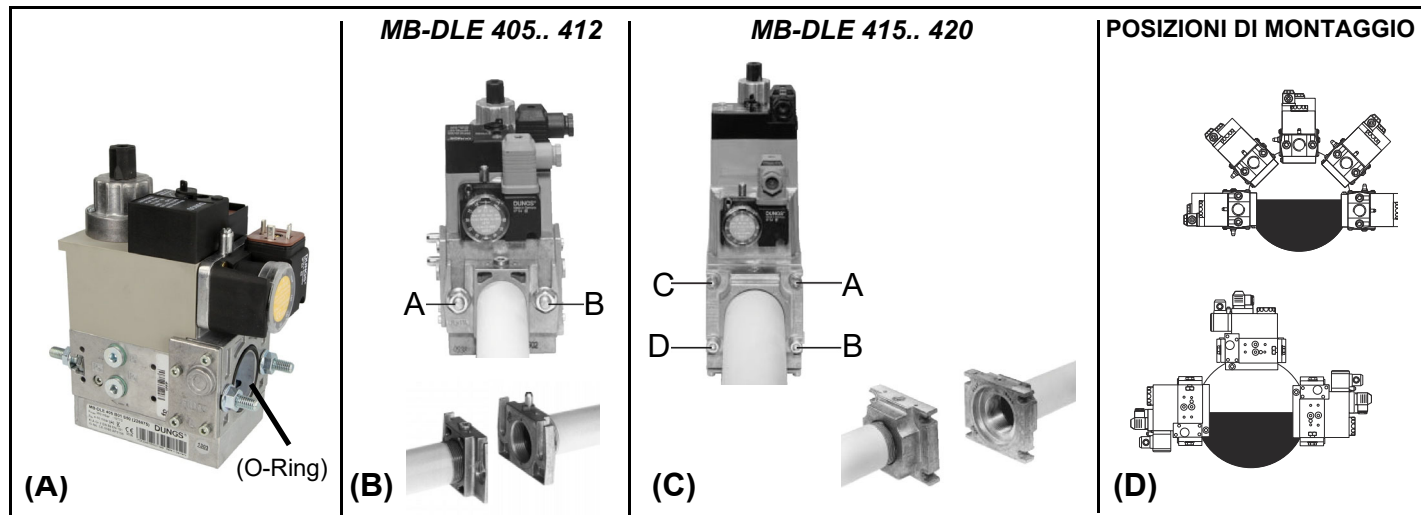


ATTENZIONE: si consiglia di montare il filtro con flusso gas parallelo al pavimento per impedire che durante le operazioni di manutenzione polveri cadano sulla valvola di sicurezza a valle del filtro stesso.

Una volta installata la rampa gas, collegare elettricamente il gruppo valvole e i pressostati.

MultiBloc MB-DLE - Assemblaggio della rampa del gas**Montaggio**

- 1 Avvitare la flangia sulla tubazione: utilizzare opportune guarniture per gas
- 2 Inserire l'apparecchio **MB-DLE** e prestare particolare attenzione agli O-Ring (A)
- 3 Montare il MultiBloc fra le flange filettate o flangiate (B - C)
- 4 Dopo il montaggio, controllare la tenuta ed il funzionamento
- 5 Lo smontaggio va effettuato esattamente in ordine inverso.



DUNGS MBE

Componenti e posizione dei pressostati

- 1 PGMIN pressostato gas di minima
- 2 PGMIN pressostato gas di minima (alternativo a 1)
- 3 PGCP pressostato gas controllo perdite
- 4 PGMAX pressostato gas di massima
- 5 Azionatore con stabilizzatore di pressione incorporato
- 6 Azionatore On-Off
- 7 Corpo valvola (Filettata)
- 8 Corpo valvola (Flangiata)

! Nelle versioni apparecchiatura Facile VD-R deve essere installato a monte valvola

Collegamento sensore di pressione PS ad attuatore VD-R e a rampa gas

min. 5 Ø

max. 7 Nm
max. 62 lb-in

SW 17
21/32"

≥ 8 mm / 0.32 inch

M12 x 5 Pin

VD-R + PS



Attenzione: nel caso di valvola MBE..., è mandatorio l'applicazione di un pressostato di massima a valle della valvola di sicurezza.

Prese di pressione MultiBloc MBE

1, 2, 3, 5 G1/8 ISO 228

4 G3/4

6, 7 G1/4 ISO 228

8 VB...L
VB-2½L=1¼"NPT
VB-3L=1½"NPT
VB-4L=2"NPT
VB-5L=2"NPT
VB-6L=2½" NPT

1, 2, 3, 4 G1/8 ISO 228

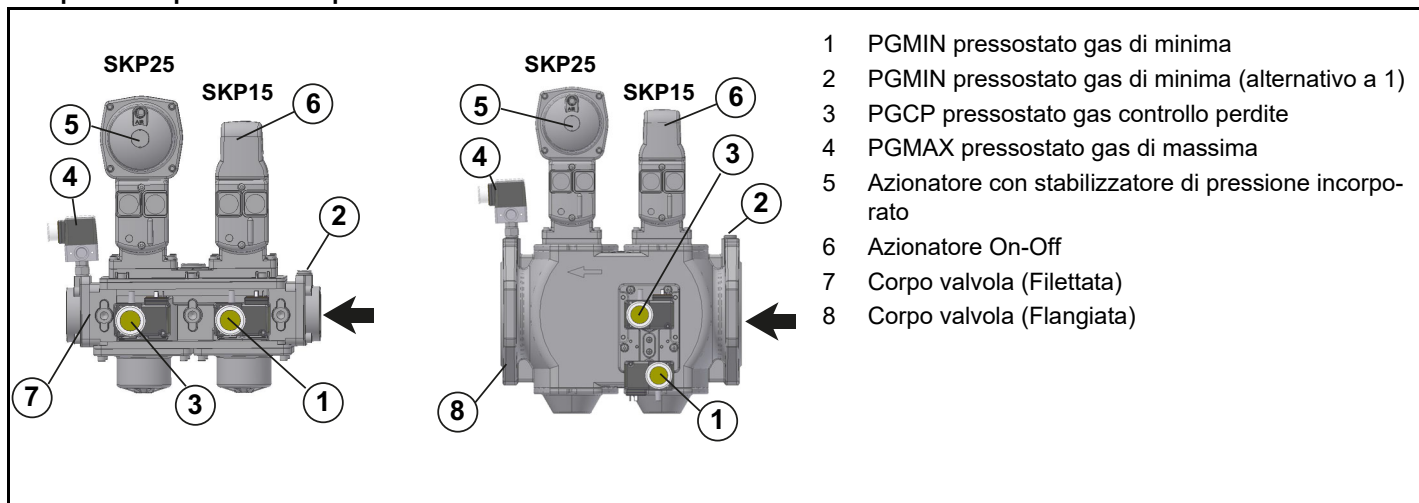
5

P_{max}
70 kPa
700 mbar
10 PSI

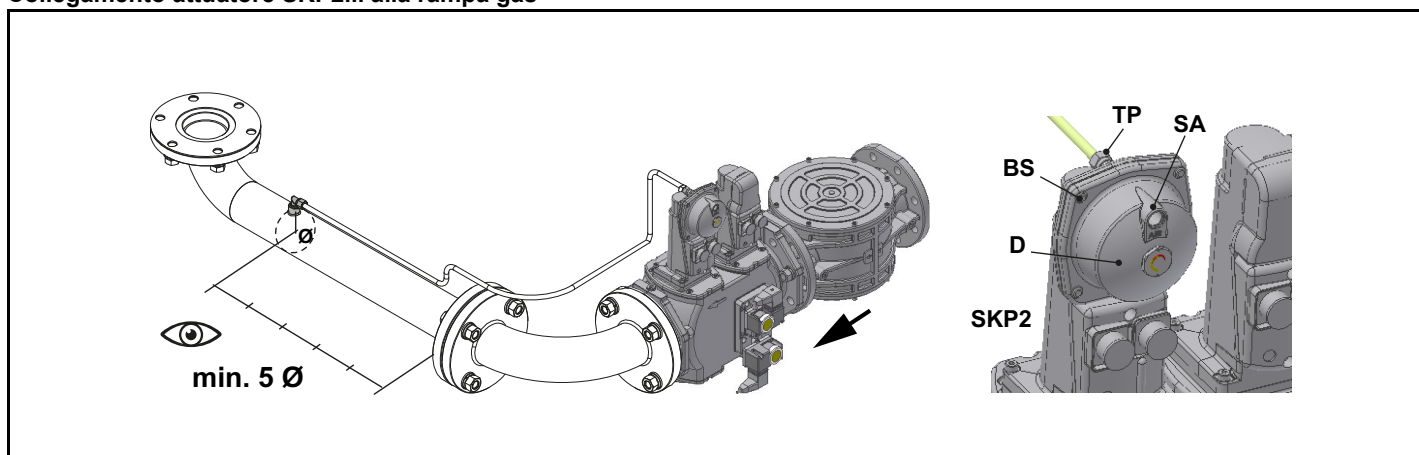
P_{max}
60 kPa
600 mbar
8 PSI

Siemens VGD20.. e VGD40..

Componenti e posizione dei pressostati



Collegamento attuatore SKP2... alla rampa gas



Versione con SKP2.. (stabilizzatore di pressione incorporato)

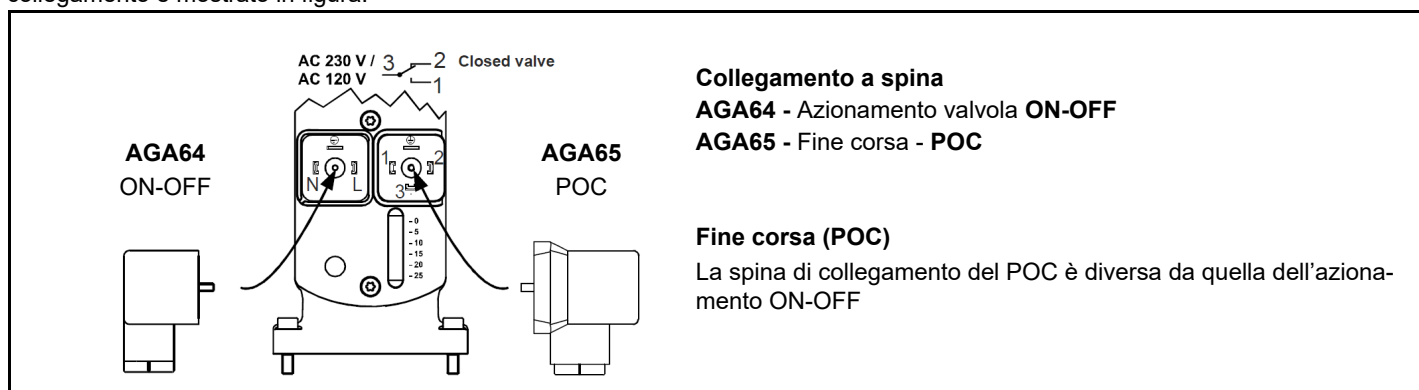
- Collegare il tubetto di riferimento pressione gas (TP in figura - tubo fornito sciolto con diametro esterno da 8 mm) agli appositi raccordi posti sulla tubazione gas, dopo le valvole gas: la pressione del gas deve essere acquisita ad una distanza pari o superiore a circa 5 volte il diametro nominale della tubazione.
- Lasciare libero lo sfiato in atmosfera (SA in figura).
- D: sede della molla di regolazione pressione.



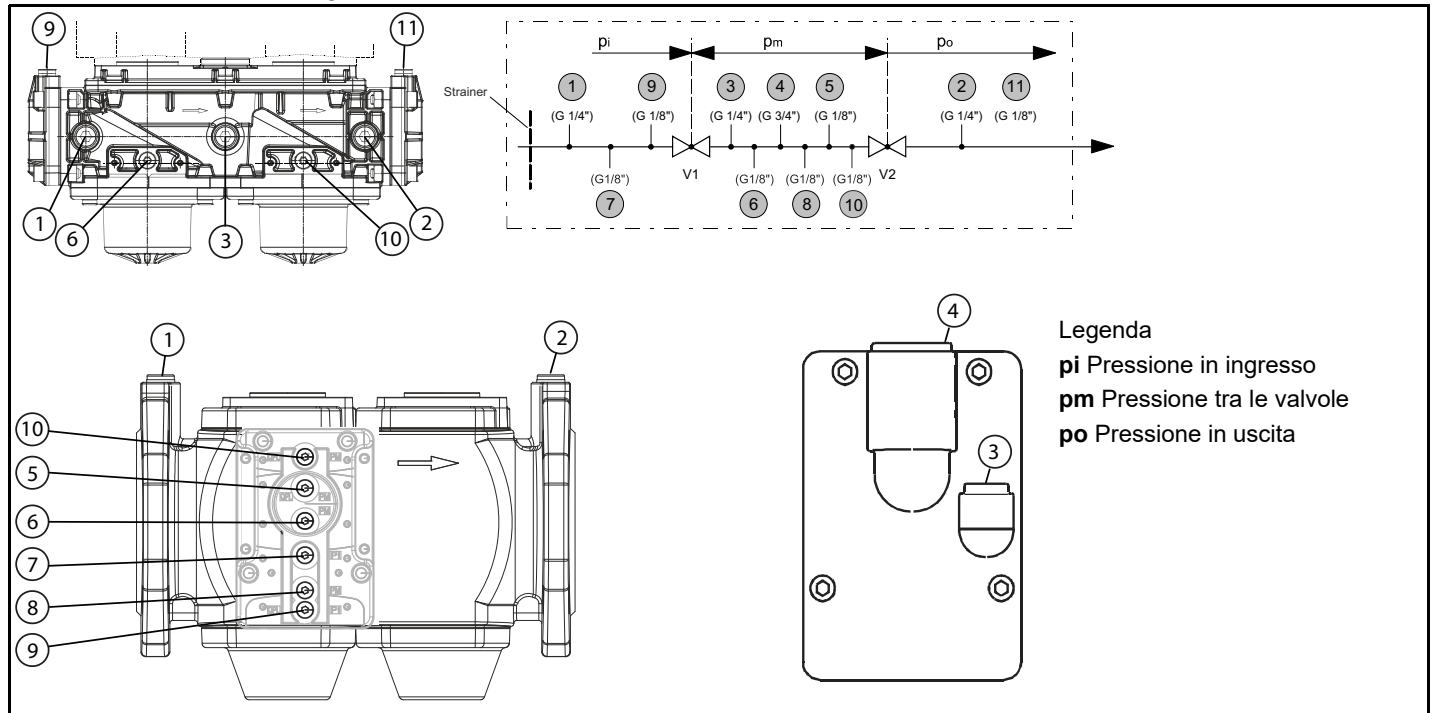
ATTENZIONE: la rimozione delle 4 viti BS danneggia irreparabilmente gli apparecchi!

Siemens VGD../VRD.. SKPx5 (micro interruttore ausiliario-Opzionale)

Se necessario il microinterruttore ausiliario (POC) deve essere ordinato un attuatore dedicato, diverso da quello solitamente fornito. Il collegamento è mostrato in figura.

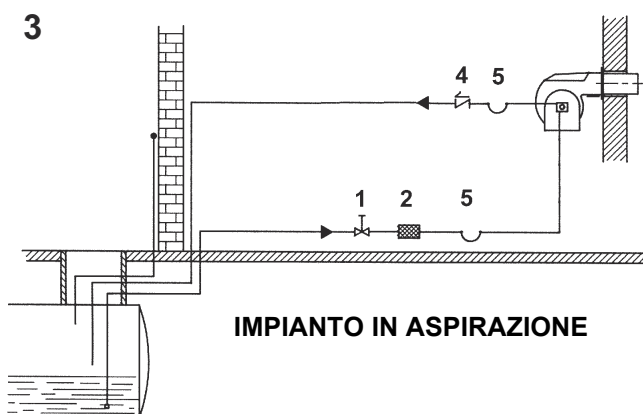
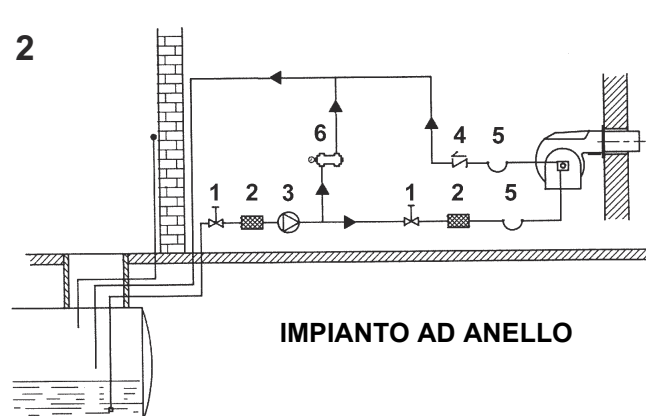
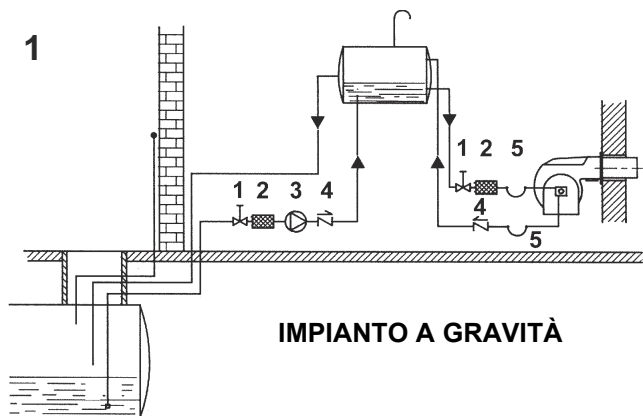


Siemens VGD Prese di pressione



COLLEGAMENTO RAMPA OLIO COLLEGAMENTO RAMPA OLIO

Schemi esemplificativi di impianti di alimentazione gasolio



Legenda

- 1 Valvola manuale di intercettazione
- 2 Filtro gasolio
- 3 Pompa di alimentazione gasolio
- 4 Valvola di non ritorno
- 5 Flessibili gasolio
- 6 Valvola di sfioro

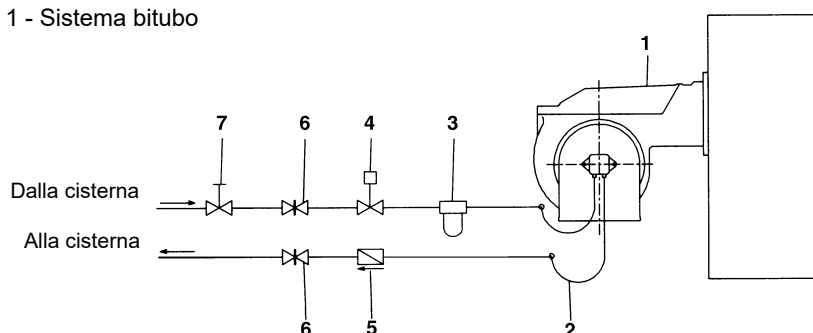
NOTA: negli impianti a gravità e ad anello, inserire un dispositivo di intercettazione automatica.

Schema di installazione tubazioni gasolio



ATTENZIONE: leggere scrupolosamente le avvertenze riportate all'inizio del manuale.

Fig. 1 - Sistema bitubo



La fornitura prevede il filtro e i flessibili, tutta la parte a monte del filtro e a valle del flessibile di ritorno, deve essere predisposta dall'utente. Per il collegamento dei flessibili, consultare il relativo paragrafo.

Legenda

- 1 Bruciatore
- 2 Tubi flessibili (a corredo)
- 3 Filtro combustibile (a corredo)
- 4 Dispositivo di intercettazione automatica (*)
- 5 Valvola di non ritorno (*)
- 6 Saracinesca
- 7 Saracinesca a chiusura rapida (esterna ai locali serbatoio e caldaia)

(*) Richiesto in Italia, solo negli impianti con alimentazione per gravità, a sifone o a circolazione forzata. Se il dispositivo installato è una elettrovalvola, installare un temporizzatore per ritardarne la chiusura. Il collegamento diretto del dispositivo di intercettazione automatica (4) senza temporizzatore può causare la rottura della pompa.

In base alla pompa installata, è possibile realizzare l'impianto per sistemi di tipo monotubo o bitubo:

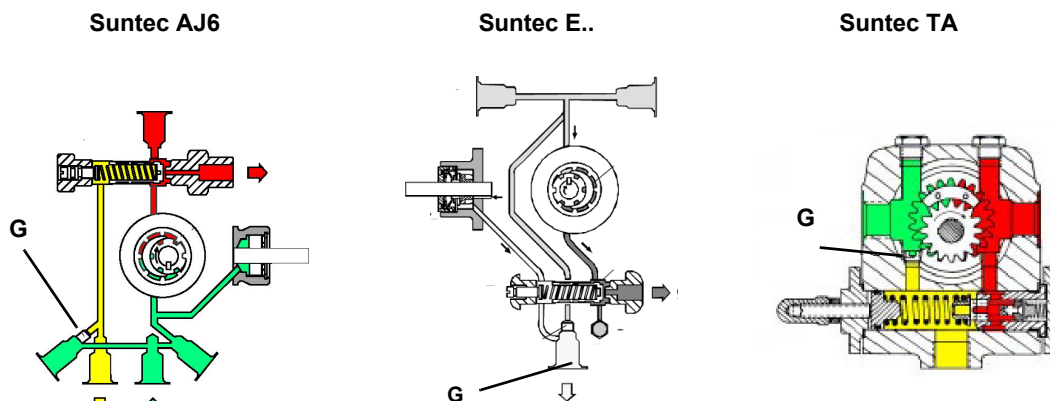
Sistema monotubo: viene utilizzato un unico tubo che, partendo immediatamente sopra il fondo del serbatoio, raggiunge l'entrata della pompa. Dalla pompa, il fluido in pressione viene convogliato all'ugello: una parte esce dall'ugello mentre il resto del fluido ritorna alla pompa. In questo sistema, se è presente il grano di by-pass, esso dovrà essere tolto e l'attacco opzionale di ritorno, sul corpo pompa, dovrà essere chiuso con tappo cieco.

Sistema bitubo: viene utilizzato un tubo che collega il serbatoio con l'attacco di ingresso della pompa, come nel sistema monotubo, e di un secondo tubo che dall'attacco di ritorno della pompa si collega, a sua volta, al serbatoio. Tutto l'olio in eccesso ritorna, così, al serbatoio: l'installazione può, quindi, essere considerata auto-spurgante. Se presente, il grano di by-pass interno deve essere inserito per evitare che aria e combustibile passino attraverso la pompa.

I bruciatori escono dalla fabbrica predisposti per l'alimentazione con impianto a due tubi.

Per alimentazione con impianto monotubo (consigliabile nel caso di alimentazione a gravità) è possibile eseguire la trasformazione, nel modo descritto sopra. Per passare da un sistema monotubo a un sistema bitubo, si deve inserire il grano di by-pass in corrispondenza di **G** (pompa con rotazione antioraria - guardando l'albero).

Attenzione: la modifica del senso di rotazione della pompa ne comporta la variazione di tutti i collegamenti. **Pompe HP serie UHE:** per il passaggio dal sistema da 2 tubi a 1 tubo è necessario fornirsi di un kit (Art.-Nr.: 0841211)

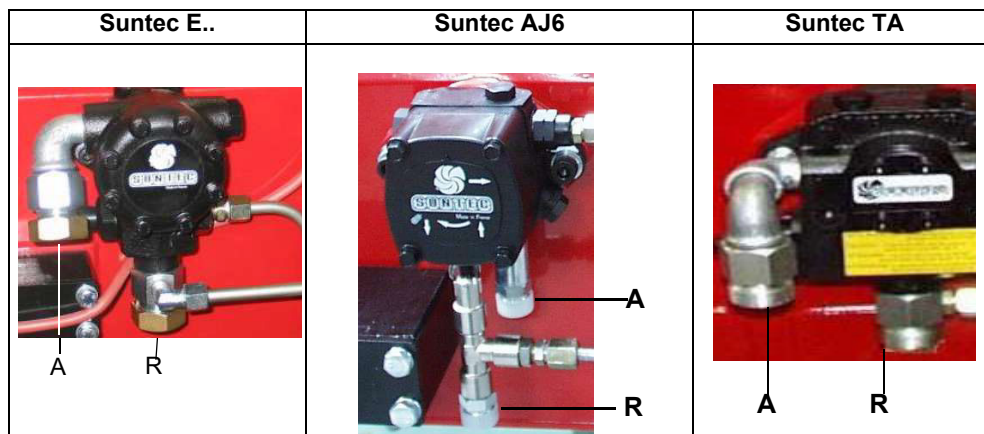


Collegamento dei flessibili alla pompa

Per collegare i flessibili alla pompa procedere nel seguente modo:

- 1 togliere i tappi di chiusura dei condotti **A** (ingresso) e **R** (ritorno) della pompa;
- 2 avvitare i dadi girevoli dei due flessibili alla pompa, facendo **attenzione a non invertire i collegamenti**: osservare attentamente le frecce stampate sulla pompa.

Per ulteriori informazioni, consultare il libretto di istruzioni della pompa..



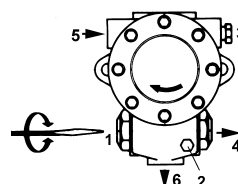
Utilizzo delle pompe combustibile

- Se il tipo di installazione è monotubo, verificare che all'interno del foro di ritorno non sia presente il grano di by-pass. In questo caso infatti la pompa non funzionerebbe correttamente e potrebbe danneggiarsi.
- Non aggiungere al combustibile altre sostanze additive, così da evitare la formazione di composti che alla lunga possano andare a depositarsi tra i denti dell'ingranaggio, bloccandolo.
- Dopo il riempimento della cisterna, attendere prima di avviare il bruciatore. Questo dà il tempo ad eventuali impurità in sospensione di depositarsi sul fondo anziché essere aspirate dalla pompa.
- Quando si avvia la pompa per la prima volta e si prevede il funzionamento a secco per un periodo di tempo considerevole (ad esempio a causa di un lungo condotto di aspirazione), iniettare dell'olio lubrificante dalla presa di vuoto.
- Durante il fissaggio dell'albero del motore all'albero della pompa, prestare attenzione a non obbligare quest'ultimo in senso assiale o laterale, per evitare usure eccessive del giunto, rumore e sovraccarichi di sforzo sull'ingranaggio.
- Le tubazioni non devono contenere aria. Evitare pertanto attacchi rapidi, usando di preferenza raccordi filettati o a tenuta meccanica. Sigillare con un sigillante smontabile adatto, le filettature di raccordo, i gomiti e le giunzioni. Limitare al minimo indispensabile il numero delle connessioni in quanto sono tutte potenziali sorgenti di perdita.
- Evitare l'utilizzo di Teflon nel collegamento dei flessibili di aspirazione, ritorno e mandata, così da evitare una possibile messa in circolo di particelle che si depositerebbero sui filtri della pompa o dell'ugello, limitandone l'efficacia. Privilegiare raccordi con OR, oppure tenute meccaniche (ad ogiva o con rondelle di rame o alluminio).
- Prevedere sempre un filtro esterno nella tubazione di aspirazione a monte della pompa.



ATTENZIONE: prima di avviare il bruciatore, è obbligatorio riempire i tubi di adduzione con gasolio e spurgare le bolle d'aria residue. Prima di accendere il bruciatore, controllare il senso di rotazione del motore della pompa premendo brevemente l'interruttore di avviamento; assicurarsi che non vi siano suoni anomali durante il funzionamento e solo dopo accendere il bruciatore. La mancata osservanza di questo requisito invaliderà la garanzia del bruciatore.

Suntec E6 - E7 1001	
Viscosità olio	3 - 75 cSt
Temperatura olio	0 - 90°C
Pressione entrata massima	1,5 bar
Pressione massima in ritorno	1,5 bar
Pressione entrata minima	- 0,45 bar per evitare la formazione di gas
Velocità di rotazione	3600 rpm max.



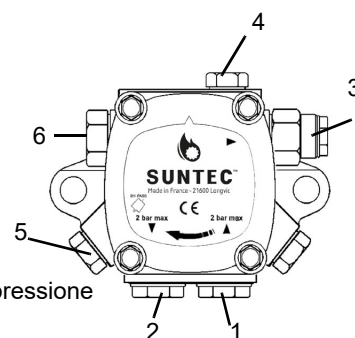
Legenda

1. Regolatore di pressione
2. Manometro
3. Vacuometro
5. Ugello
7. Aspirazione
8. Ritorno

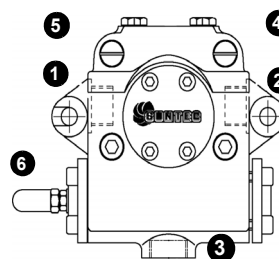
Suntec AJ6	
Campo viscosità	2 - 75 cSt
Temperatura olio	60°C max.
Pressione entrata massima	2 bar
Pressione entrata minima	- 0,45 bar per evitare la formazione di gas
Velocità	3600 rpm max.

Legenda

- 1 Aspirazione
- 2 Ritorno
- 3 All'ugello
- 4 Manometro
- 5 Vacuometro
- 6 Regolatore di pressione



Suntec TA..	
Viscosità olio	3 ÷ 75 cSt
Temperatura olio	0 ÷ 150°C
Pressione entrata minima	- 0,45 bar per evitare la formazione di gas
Pressione entrata massima	5 bar
Pressione massima in ritorno	5 bar
Velocità di rotazione	3600 rpm max.



Legenda

1. Entrata G1/2
2. All'ugello G1/2
3. Ritorno G1/2
4. Attacco manometro G1/4
5. Attacco vacuometro G1/4
6. Vite regolazione pressione

COLLEGAMENTI ELETTRICI



PERICOLO! Rispettare le regole fondamentali di sicurezza, assicurarsi del collegamento all'impianto di messa a terra, non invertire i collegamenti di fase e neutro, prevedere un interruttore differenziale magneto-termico adeguato per l'allacciamento alla rete.

PERICOLO! Prima di eseguire i collegamenti elettrici, assicurarsi di posizionare l'interruttore dell'impianto in posizione OFF e accertarsi che l'interruttore principale del bruciatore sia in posizione 0 (OFF - spento). Leggere attentamente il capitolo "AVVERTENZE", alla sezione "Alimentazione elettrica".

ATTENZIONE: Collegando i fili elettrici di alimentazione alla morsettiera MA del bruciatore, assicurarsi che il filo di terra sia più lungo dei conduttori di fase e neutro.

- 1 Per eseguire i collegamenti elettrici, procedere nel modo seguente: togliere il coperchio dal quadro elettrico a bordo del bruciatore;
- 2 eseguire i collegamenti elettrici alla morsettiera di alimentazione facendo riferimento agli schemi elettrici allegati al manuale;
- 3 controllare il senso di rotazione del motore (vedere paragrafo successivo);
- 4 rimontare il coperchio del quadro elettrico



ATTENZIONE: (valido per bruciatori bistadio e progressivi) il bruciatore viene fornito con un ponte elettrico tra i morsetti 6 e 7, nel caso di collegamento del termostato alta/bassa fiamma, rimuovere tale ponte prima di collegare il termostato.



ATTENZIONE: controllare la taratura del termico del motore.

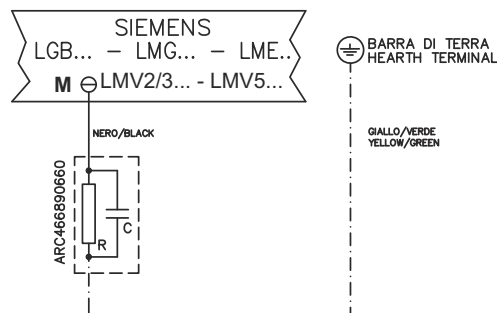
NOTA: i bruciatori sono forniti per alimentazione trifase 380/400/415/480 V, nel caso di alimentazione trifase 220/230/240 V è necessario modificare i collegamenti elettrici all'interno della scatola morsetti del motore elettrico e sostituire il relè termico.

Nota sull'alimentazione elettrica

Nel caso in cui l'alimentazione elettrica degli AUSILIARI del bruciatore fase-fase (senza neutro), per la rilevazione fiamma è necessario collegare tra il morsetto 2 (morsetto X3-04-4, nel caso di LMV2x, LMV3x, LMV5x, LME7x) della bassetta e il morsetto di terra il circuito RC Siemens, RC466890660. Nel caso di bruciatori equipaggiati con LMV5x, consultare le prescrizioni cablaggio di impianto date da Siemens nel CD allegato.

Legenda

- C - Condensatore (22 nF , 250 V)
- LME.. /LMV..- Apparecchiatura controllo fiamma Siemens
- R - Resistenza (1 MΩ)
- RC466890660 - Circuito RC Siemens
- M - morsetto 2 (LGB, LME), morsetto X3-04-4 (LMV2, LMV3, LMV5, LME7)



PARTE III: FUNZIONAMENTO



PERICOLO! Una rotazione errata del motore può provocare gravi danni a persone e cose.

PERICOLO: Durante le operazioni di taratura fare attenzione a non far funzionare il bruciatore con portata d'aria insufficiente (pericolo di formazione di monossido di carbonio); nel caso ciò avvenisse ridurre lentamente il gas fino a rientrare nei valori di combustione normali **ATTENZIONE:** prima di avviare il bruciatore, assicurarsi che le valvole manuali di intercettazione siano aperte e controllare che il valore di pressione a monte della rampa sia conforme ai valori riportati nel paragrafo "Dati tecnici". Assicurarsi, inoltre, che l'interruttore generale di alimentazione sia chiuso.

LIMITAZIONI D'USO

IL BRUCIATORE È UN APPARECCHIO PROGETTATO E COSTRUITO PER FUNZIONARE SOLO DOPO ESSERE STATO CORRETTAMENTE ACCOPPIATO AD UN GENERATORE DI CALORE (ES. CALDAIA, GENERATORE ARIA CALDA, FORNO, ECC.), OGNI ALTRO USO È DA CONSIDERARSI IMPROPRIO E QUINDI PERICOLOSO.

L'UTENTE DEVE GARANTIRE IL CORRETTO MONTAGGIO DELL'APPARECCHIO AFFIDANDONE L'INSTALLAZIONE A PERSONALE QUALIFICATO, E FACENDO ESEGUIRE LA PRIMA ACCENSIONE DA UN CENTRO ASSISTENZA AUTORIZZATO DALL'AZIENDA COSTRUTTRICE DEL BRUCIATORE. È FONDAMENTALE, A QUESTO PROPOSITO, IL COLLEGAMENTO ELETTRICO AGLI ORGANI DI REGOLAZIONE E SICUREZZA DEL GENERATORE (TERMOSTATI DI LAVORO, SICUREZZA, ECC.) CHE GARANTISCE UN FUNZIONAMENTO DEL BRUCIATORE CORRETTO E SICURO.

È PERTANTO DA ESCLUDERSI OGNI FUNZIONAMENTO DELL'APPARECCHIO CHE PRESCINDA DALLE OPERAZIONI DI INSTALLAZIONE O CHE AVVENGA DOPO TOTALE O PARZIALE MANOMISSIONE DI QUESTE (ES. SCOLLEGAMENTO ANCHE PARZIALE DI CONDUTTORI ELETTRICI, APERTURA DEL PORTELLONE DEL GENERATORE, SMONTAGGIO DI PARTI DEL BRUCIATORE).

NON APRIRE O SMONTARE MAI ALCUN COMPONENTE DELLA MACCHINA ECCETTO CHE PER LA SUA MANUTENZIONE.

PER METTERE IN SICUREZZA LA MACCHINA AGIRE SULL'INTERRUTTORE SEZIONATORE GENERALE. IN CASO DI ANOMALIE CHE RICHIEDANO LO SPEGNIMENTO DEL BRUCIATORE, È POSSIBILE AGIRE SULL'INTERRUTTORE LINEA AUSILIARIO PRESENTE NEL FRONTALE QUADRO

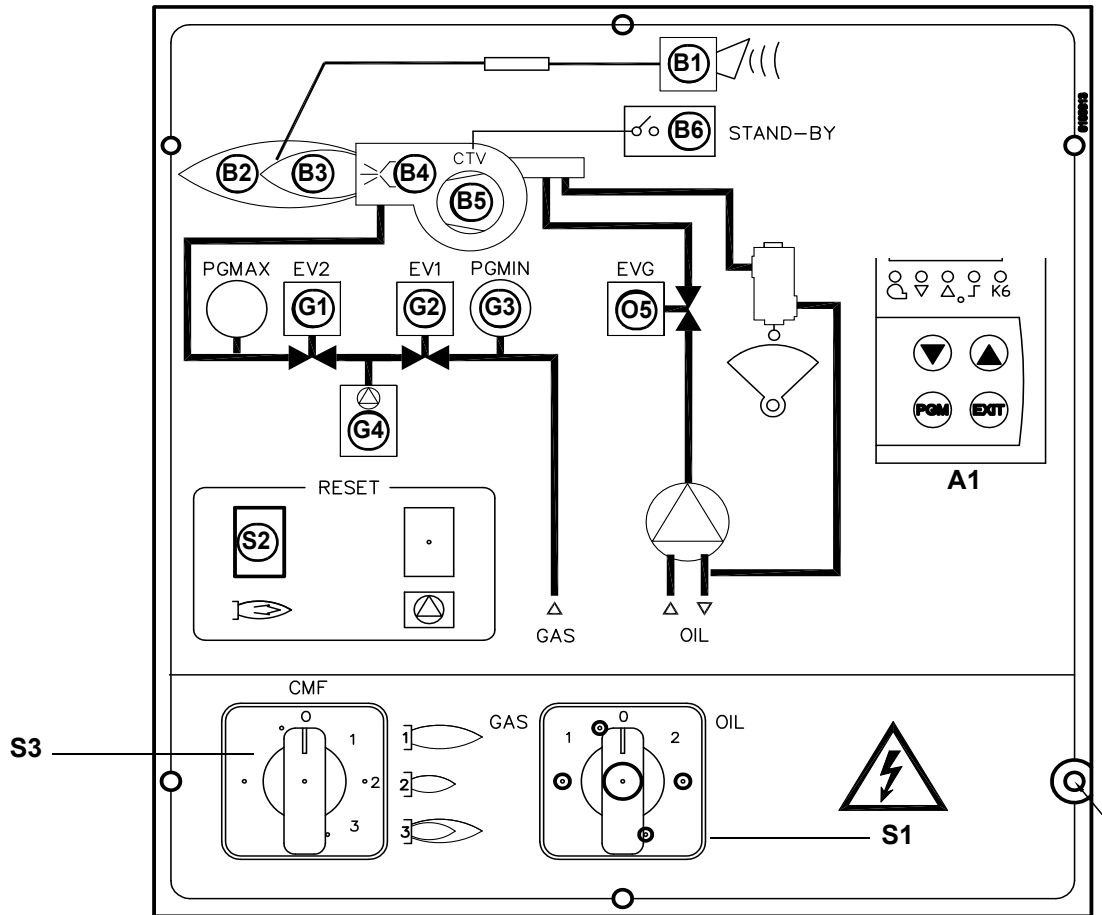
IN CASO DI ARRESTO DI BLOCCO OCCORRE VALUTARNE LA CAUSA. SE LA SPIA DI SEGNALAZIONE RITORNO FIAMMA È ACCESA, PRIMA DI SBLOCCARE L'APPARECCHIATURA È MANDATORIO VERIFICARE L'INTEGRITÀ E IL BUONO STATO DELLA TESTA DI COMBUSTIONE COME DESCRITTO AL PARAGRAFO MANUTENZIONE.

IN CASO DI ARRESTO DI BLOCCO, SBLOCCARE L'APPARECCHIATURA PREMENDO L'APPOSITO PULSANTE DI RESET. NELL'EVENTUALITÀ DI UN NUOVO ARRESTO DI BLOCCO, INTERPELLARE L'ASSISTENZA TECNICA, SENZA EFFETTUARE ULTERIORI TENTATIVI.

ATTENZIONE: DURANTE IL NORMALE FUNZIONAMENTO LE PARTI DEL BRUCIATORE PIÙ VICINE AL GENERATORE (FLANGIA DI ACCOPPIAMENTO) SONO SOGGETTE A RISCALDAMENTO. EVITARE DI TOCCARLE PER NON RIPORTARE USTIONI.

Bruciatore modulante / Progressivo

Fig. 3 - Pannello quadro elettrico



Legenda

- B1 LED segnalazione blocco
- B2 LED di segnalazione funzionamento in alta fiamma
- B3 LED di segnalazione funzionamento in bassa fiamma
- B4 LED funzionamento trasformatore di accensione
- B5 LED di segnalazione intervento termico ventilatore
- B6 Spia segnalazione Stand-by
- S1 Interruttore generale (0=OFF, 1=GAS, 2=OIL)
- S2 Pulsante di sblocco apparecchiatura di controllo fiamma
- S3 Selettore CMF (0= fermo, 1= bassa fiamma, 2= alta fiamma, 3= automatico) - solo bruciatori modulanti
- S5 Pulsante di sblocco dispositivo controllo di tenuta valvole gas (solo bruciatori equipaggiati con apparecchiatura Siemens LDU11)
- G1 Spie segnalazione intervento valvole gas EV2
- G2 Spie segnalazione intervento valvole gas EV1
- G3 Spia segnalazione consenso pressostato gas
- G4 Spia segnalazione blocco dispositivo controllo di tenuta valvole gas
- O5 Spia segnalazione intervento valvola gasolio EVG
- A1 Modulatore (solo per bruciatori modulanti)

Scelta del combustibile: Per comandare la fase di avviamento a gas o gasolio agire sul commutatore del quadro di comando del bruciatore e selezionare (1) = gas o (2) = gasolio.

Se il selettore fronte quadro è impostato su scelta (1) il rubinetto del gas deve essere aperto, mentre quello sul gasolio deve essere chiuso. Viceversa se la scelta del selettore fronte quadro è impostata su (2).

ATTENZIONE: nel caso si selezioni il combustibile olio, accertarsi che i rubinetti di intercettazione della linea di alimentazione e di ritorno siano aperti.

●

Funzionamento gas

- Verificare che la pressione di alimentazione del gas sia sufficiente (segnalata dall'accensione della spia **G3**).
- **Nota solo per bruciatori equipaggiati con controllo di tenuta:** inizia il ciclo di verifica del dispositivo controllo di tenuta delle valvole gas, il completamento della verifica è segnalato dall'accensione dell'apposita spia sul controllo di tenuta. Terminata la verifica delle valvole gas inizia il ciclo di avviamento del bruciatore: nel caso di perdita di una valvola gas, il dispositivo di controllo tenuta va in blocco e la spia **B1** si accende.

NOTA: nel caso di bruciatori equipaggiati con controllo di tenuta Dungs VPS504 la fase di preventilazione inizia solo dopo il completamento del controllo di tenuta delle valvole gas con esito positivo.

Poichè la preventilazione deve avvenire con la massima portata d'aria, l'apparecchiatura di controllo comanda l'apertura del servocomando e solo quando viene raggiunta la posizione di massima apertura inizia il conteggio del tempo di preventilazione.

- Al termine del tempo di preventilazione il servocomando si porta in posizione di completa chiusura (posizione di accensione gas) e, appena questa è raggiunta, viene inserito il trasformatore di accensione (segnalato dalla spia **B4** sul pannello grafico); si aprono le valvole del gas.
- Pochi secondi dopo l'apertura delle valvole, il trasformatore di accensione viene escluso dal circuito e la spia **B4** si spegne.
- Il bruciatore risulta così acceso, contemporaneamente il servocomando si porta verso la posizione di alta fiamma, dopo alcuni secondi, inizia il funzionamento a 2 stadi e il bruciatore si porta automaticamente in alta o in bassa fiamma a seconda delle richieste dell'impianto.

Il funzionamento in alta/bassa fiamma è segnalato dall'accensione/spegnimento della spia **B2** sul pannello grafico.

Funzionamento gasolio

- Si avvia il motore del ventilatore ed ha inizio la fase di preventilazione. Poichè la preventilazione deve avvenire con la massima portata d'aria, l'apparecchiatura di controllo comanda l'apertura del servocomando e solo quando viene raggiunta la posizione di massima apertura, inizia il conteggio del tempo di preventilazione.
- Al termine del tempo di preventilazione, il servocomando si porta in posizione di accensione gasolio e, appena questa è raggiunta, viene inserito il trasformatore di accensione (segnalato dalla spia **B4** sul pannello grafico); successivamente si aprono le valvole del gas pilota (se presente) e del gasolio. Pochi secondi dopo l'apertura della valvole, il trasformatore di accensione viene escluso dal circuito e la spia **B4** si spegne.
- Il bruciatore risulta così acceso, contemporaneamente il servocomando si porta verso la posizione di alta fiamma, dopo alcuni secondi, inizia il funzionamento a 2 stadi e il bruciatore si porta automaticamente in alta o in bassa fiamma a seconda delle richieste dell'impianto. Il funzionamento in alta/bassa fiamma è segnalato dall'accensione/spegnimento della spia **B2** sul pannello grafico.

REGOLAZIONE DELLA PORTATA ARIA E COMBUSTIBILE



PERICOLO! Durante le operazioni di taratura fare attenzione a non far funzionare il bruciatore con portata d'aria insufficiente (pericolo di formazione di monossido di carbonio); nel caso ciò avvenisse ridurre lentamente il combustibile fino a rientrare nei valori di combustione normali
ATTENZIONE! l'eccesso di aria di combustione va regolato secondo i parametri consigliati riportati nella seguente tabella:

Parametri di combustione consigliati		
Combustibile	CO ₂ Consigliato (%)	O ₂ Consigliato (%)
Gas naturale	9 ÷ 10	3 ÷ 4.8
Gasolio	11.5 ÷ 13	2.9 ÷ 4.9
GPL	11 ÷ 12	2.8 ÷ 4.3

Regolazione - descrizione generale

La regolazione delle portate di aria e di combustibile si esegue prima alla massima potenza ("alta fiamma") agendo rispettivamente sulla serranda dell'aria e sul settore variabile.

- Verificare che i parametri di combustione rientrino nei limiti consigliati.
- Verificare la portata misurandola al contatore o, nel caso non fosse possibile, verificando la pressione in testa di combustione con un manometro differenziale, come descritto al paragrafo "Misura della pressione del gas in testa di combustione".
- Successivamente, regolare la combustione in tutti i punti intermedi tra il massimo e il minimo, definendo il profilo della lamina del settore variabile. Il settore variabile stabilisce il rapporto aria/gas in tali punti, regolando l'apertura-chiusura della valvola a farfalla del gas.
- Infine, stabilire la potenza della bassa fiamma agendo sul microinterruttore di bassa fiamma del servocomando al fine di evitare che la potenza in bassa fiamma sia troppo elevata oppure che la temperatura dei fumi sia troppo bassa da causare condensazioni nel camino.

Tipo di combustibile utilizzato



PERICOLO! Utilizzare il bruciatore solo con il combustibile indicato in targa dati.

Tipo	--
Modello	--
Anno	--
Mat.	--
Port.	--
Port. Olio	--
Comb.	--
Cat	--
Press	--
Visc	--
Tens.	--
Pot.Elet.	--
P.Vent.	--

REGOLAZIONE PER FUNZIONAMENTO A GAS

Regolazione - descrizione generale

- La regolazione delle portate di aria e di gas si esegue prima alla massima potenza (“alta fiamma”) agendo rispettivamente sulla serranda dell’aria e sullo stabilizzatore presente sul gruppo valvole del gas.
- Verificare che i parametri di combustione rientrino nei limiti consigliati.
- Verificare la portata misurandola al contatore o, nel caso non fosse possibile, verificando la pressione in testa di combustione con un manometro differenziale, come descritto al paragrafo “Misura della pressione del gas in testa di combustione”.
- Successivamente, regolare la combustione in tutti i punti intermedi tra il massimo e il minimo, definendo il profilo della lamina del settore variabile (solo bruciatori progressivi-modulanti). Il settore variabile stabilisce il rapporto aria/gas in tali punti, regolando l’apertura-chiusura della valvola a farfalla del gas.
- Infine, stabilire la potenza della bassa fiamma agendo sul microinterruttore di bassa fiamma del servocomando al fine di evitare che la potenza in bassa fiamma sia troppo elevata oppure che la temperatura dei fumi sia troppo bassa da causare condensazioni nel camino.

Per variare la taratura del bruciatore durante il collaudo presso l’impianto, attenersi alle procedure riportate di seguito.

Bruciatori progressivi

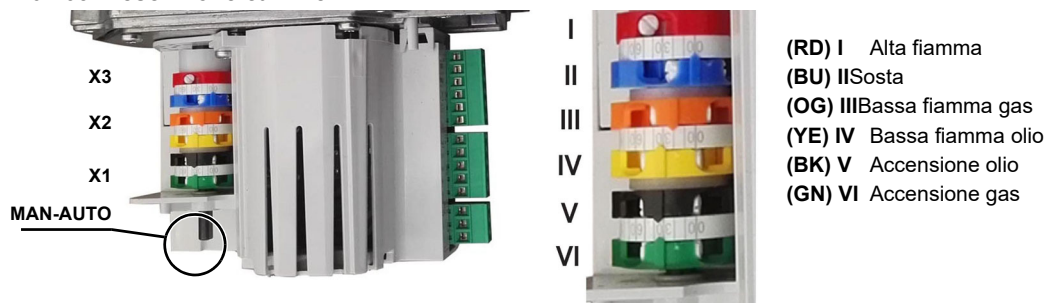
Regolazione delle portate aria e gas con servocomando Siemens SQM40..

- 1 Controllare il senso di rotazione del motore ventilatore
- 2 Solo per bruciatori con **Dungs Multibloc MB-DLE**: prima di avviare il bruciatore, regolare l’apertura lenta del gruppo valvole: per la regolazione dell’apertura lenta, togliere la calottina **T**, capovolverla ed inserirla sul perno **VR** con l’apposita scanalatura posta sulla parte superiore. Avvitando la portata di accensione diminuisce, svitando la portata di accensione aumenta. Non regolare la vite **VR** con un cacciavite.

Nota: La vite VSB deve essere tolta solamente per la sostituzione della bobina.

- 3 Prima di avviare il bruciatore, per potere raggiungere in sicurezza la posizione di alta fiamma, portare il microinterruttore di alta fiamma del servocomando, in corrispondenza di quello di bassa fiamma (in modo da fare funzionare il bruciatore al minimo della potenza).
- 4 avviare il bruciatore, tramite la serie di termostati; attendere che finisca la fase di preventilazione e che il bruciatore si accenda;
- 5 portare il bruciatore in alta fiamma tramite il termostato **TAB** (per i bruciatori modulanti, fare riferimento al paragrafo relativo).
- 6 Spostare, quindi, il microinterruttore di alta fiamma del servocomando su valori progressivamente più alti fino a raggiungere la posizione di alta fiamma, sempre controllando i valori di combustione ed eventualmente controllando il gas tramite lo stabilizzatore del gruppo valvole e l’aria tramite la camma asolata (vedi punti successivi).
- 7 procedere con le regolazioni di aria e gas: monitorando costantemente l’analisi dei fumi, al fine di evitare combustioni in difetto d’aria, dosare l’aria in base alla variazione della portata del gas effettuata secondo la procedura riportata di seguito.

SQM40.265 Descrizione camme

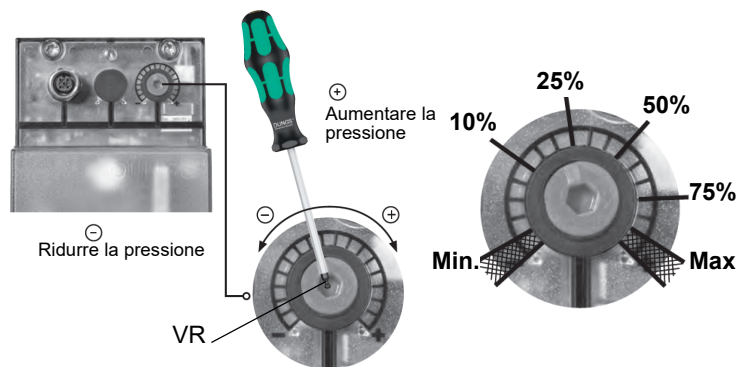
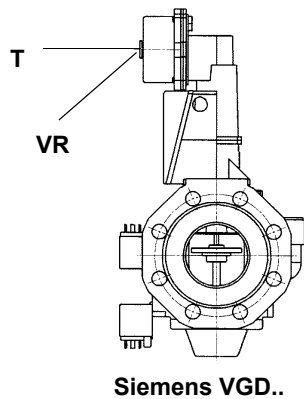
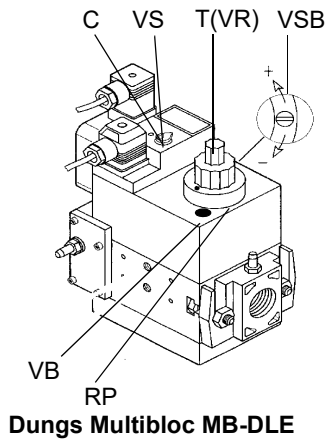


8Regolare la **portata del gas in alta fiamma** ai valori richiesti dalla caldaia/utilizzo, agendo sullo stabilizzatore di pressione del gruppo valvole:

-**gruppo Dungs Multibloc MB-DLE**: Lo stabilizzatore di pressione si regola agendo sulla vite **VS** posta sotto il coperchietto **C**: avvitando la pressione aumenta, svitando diminuisce. La regolazione della portata della valvola gas si effettua tramite il regolatore **RP**, dopo aver allentato di alcuni giri la vite di bloccaggio **VB**. Svitando il regolatore **RP** la valvola si apre, avvitandolo si chiude.

- **valvole Siemens VGD**: per aumentare o diminuire la pressione e di conseguenza la portata di gas, agire con un cacciavite sulla vite di regolazione **VR** dopo avere tolto il tappo **T**; avvitando la portata aumenta, svitando diminuisce (vedi figura).

- **MultiBloc MBE** Per impostare la pressione in uscita del regolatore VD-R, agire sull’apposita ghiera di regolazione

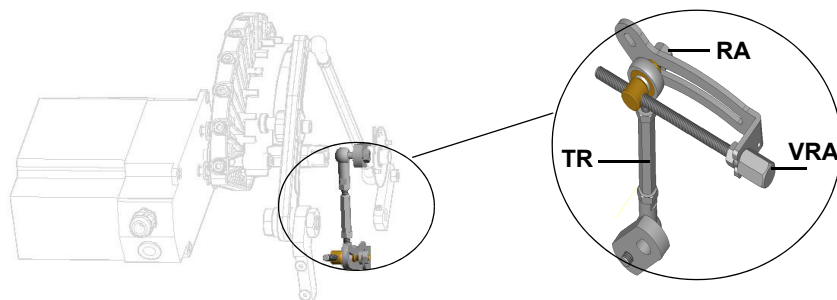


- 9 Portare il bruciatore in alta fiamma (fare riferimento al manuale LMVx)
- 10 Per regolare la **portata d'aria in alta fiamma**, allentare il dado **RA** e ruotare la vite **VRA**, fino ad ottenere la portata d'aria desiderata: spostando il tirante **TR** verso l'albero della serranda, la serranda si apre e la portata d'aria aumenta, spostandolo lontano dall'albero, la serranda si chiude e la portata diminuisce.



Attenzione! Ad operazioni ultimate, assicurarsi di aver fissato il dado di bloccaggio RA. Non cambiare la posizione dei tiranti della serranda dell'aria.

- 11 Se necessario, regolare la posizione della testa di combustione (vedi relativo paragrafo).
- 12 Dopo avere regolato le portate di aria e gas alla potenza massima, procedere alla regolazione punto per punto sul settore variabile (lato FGR) **SV1** fino al punto di minima potenza.
- 13 Procedere, ora, alla regolazione dei pressostati.

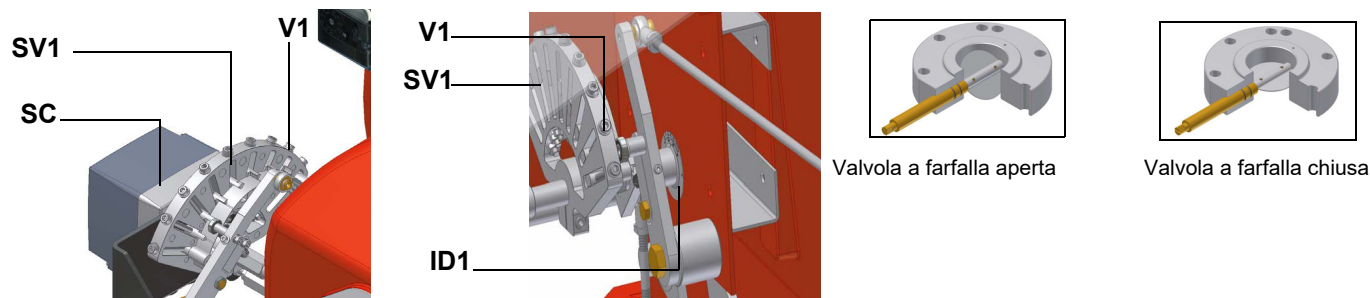


- 14 Se necessario, regolare la posizione della testa di combustione (vedi relativo paragrafo).



Attenzione! se si varia la posizione della testa, ripetere le regolazioni di aria e gas descritte ai punti precedenti.

- 15 Dopo avere regolato le portate di aria e gas alla potenza massima, procedere alla regolazione punto per punto sul settore variabile (lato gas) **SV1** fino al punto di minima potenza.
- 16 Per regolare punto-punto il settore variabile, spostare prima il microinterruttore di bassa fiamma del gas appena sotto il massimo (90°);
- 17 portare il termostato **TAB** al minimo in modo che il servocomando agisca in chiusura, (per i bruciatori modulanti, fare riferimento al paragrafo relativo)
- 18 spostare il microinterruttore di bassa fiamma del gas verso il minimo, in modo che il servocomando inizi a chiudere fino a che i due cuscinetti siano in corrispondenza della vite di regolazione relativa al punto immediatamente inferiore: avvitare la vite **V1** per aumentare la portata, svitare per diminuirla.



- 19 Spostare nuovamente il microinterruttore di bassa fiamma verso il minimo fino alla successiva vite e ripetere quanto descritto al punto precedente, continuare in questo modo fino a raggiungere il punto di bassa fiamma desiderato.
- 20 Procedere, ora, alla regolazione dei pressostati.

Bruciatori modulanti

Per regolare i bruciatori modulanti, servirsi del selettore **CMF** presente sul pannello di controllo del bruciatore (vd. figura), invece di utilizzare il termostato **TAB** come descritto nella regolazione dei bruciatori progressivi. Procedere alla regolazione come descritto nei paragrafi precedenti, facendo attenzione all'impiego del selettore **CMF**.

La posizione del selettore determina gli stadi di funzionamento: per portare il bruciatore in alta fiamma, porre il selettore CMF a 1, per portarlo in bassa fiamma porre **CMF** a 2.

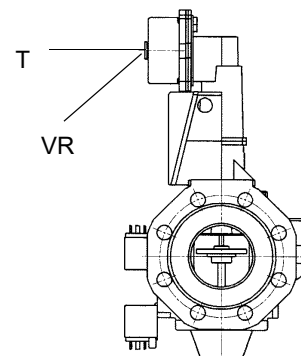


CMF

- CMF = 0 servocomando fermo nella posizione in cui si trova
- CMF = 1 funzionamento alta fiamma
- CMF = 2 funzionamento bassa fiamma
- CMF = 3 funzionamento automatico

Valvole gas Siemens VGD - Versione con SKP2. (stabilizzatore di pressione incorporato).

Per aumentare o diminuire la pressione e di conseguenza la portata di gas, agire con un cacciavite sulla vite di regolazione VR dopo avere tolto il tappo T. Avvitando la portata aumenta, svitando diminuisce.



Taratura dei pressostati di aria e di gas

Il **pressostato aria** ha la funzione di mettere in sicurezza (bloccare) l'apparecchiatura di controllo fiamma se la pressione dell'aria non è quella prevista. In caso di blocco, sbloccare il bruciatore servendosi del pulsante di sblocco dell'apparecchiatura, presente sul pannello di controllo del bruciatore.

I **pressostati gas** controllano la pressione per impedire il funzionamento del bruciatore nei casi in cui il valore di pressione non sia compreso nel campo di pressione ammissibile.



Taratura pressostato gas di minima

Con il bruciatore funzionante alla potenza massima, aumentare la pressione di regolazione girando lentamente in senso orario l'apposita manopolina fino all'arresto del bruciatore, attenzione non va in blocco e il display visualizza l'errore "Err c20 d0".

Per la taratura del pressostato gas procedere come segue:

- Assicurarsi che il filtro sia pulito.
- Togliere il coperchio di plastica trasparente.
- Con il bruciatore in funzione alla massima potenza, misurare la pressione del gas sulla presa di pressione del pressostato.
- Chiudere lentamente la valvola manuale di intercettazione a monte pressostato (vedi diagramma installazione rampe gas), fino a riscontrare una riduzione della pressione del 50% rispetto al valore letto in precedenza. Controllare che non aumenti il valore di CO

nei fumi: se il valore di CO è superiore ai limiti di legge, aprire lentamente la valvola di intercettazione fino a rientrare nei suddetti limiti.

- Verificare che il bruciatore funzioni regolarmente.
- Ruotare la ghiera di regolazione del pressostato in senso orario (per aumentare la pressione), fino allo spegnimento del bruciatore.
- Aprire completamente la valvola manuale di intercettazione
- Rimontare il coperchio trasparente.

Taratura pressostato gas di massima (dove presente)

Per la taratura procedere come segue, a seconda della posizione di montaggio del pressostato di massima:

- togliere il coperchio di plastica trasparente del pressostato.
- se il pressostato di massima è montato a monte delle valvole del gas: misurare la pressione del gas in rete con fiamma spenta; impostare, sulla ghiera di regolazione **VR**, il valore letto aumentato del 30%.
- Se, invece, il pressostato di massima è montato dopo il gruppo "regolatore-valvole gas" e prima della valvola a farfalla: accendere il bruciatore, regolarlo secondo la procedura riportata ai precedenti paragrafi. Misurare, quindi, la pressione del gas alla portata di esercizio, dopo il gruppo "regolatore-valvole gas" e prima della valvola a farfalla; impostare, sulla ghiera di regolazione **VR**, il valore letto, aumentato del 30%.
- rimontare il coperchio di plastica trasparente.

Taratura pressostato aria

Procedere con la taratura del pressostato aria come segue:

- Togliere il coperchio di plastica trasparente.
- Dopo aver completato le tarature di aria e combustibile, accendere il bruciatore.
- Con il bruciatore in bassa fiamma, ruotare lentamente la ghiera di regolazione **VR** in senso orario (per aumentare la pressione di taratura) fino ad ottenere il blocco del bruciatore, leggere il valore di pressione sulla scala e reimpostarlo ad un valore inferiore del 15% circa.
- Ripetere il ciclo di accensione del bruciatore e controllare che funzioni correttamente.
- Rimontare il coperchio trasparente sul pressostato.

Pressostato gas controllo perdite PGCP (con apparecchiatura di controllo Siemens LDU/LME7x Siemens LMV)

- Togliere il coperchio di plastica trasparente sul pressostato.
- Regolare il pressostato PGCP allo stesso valore impostato per il pressostato gas di minima pressione.
- Rimontare il coperchio di plastica trasparente.

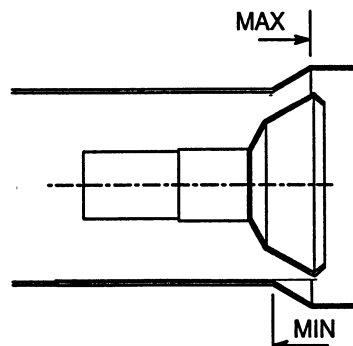
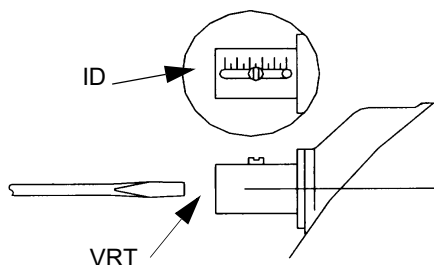
Regolazione testa di combustione



Attenzione! se si varia la posizione della testa, ripetere le regolazioni di aria e combustibile descritte ai punti precedenti.

Regolazione testa di combustione

Il bruciatore viene regolato in fabbrica con la testa in posizione "MAX.", corrispondente alla massima potenza. Per il funzionamento a potenza ridotta arretrare progressivamente la testa di combustione verso la posizione "MIN.", avvitando la vite **VRT**. L'indice **ID** indica lo spostamento della testa di combustione.



ATTENZIONE: eseguire queste operazioni una volta spento il bruciatore e lasciato raffreddare.



ATTENZIONE: Leggere attentamente le note relative al paragrafo "Tipo di combustibile utilizzato" all'inizio di questo manuale.

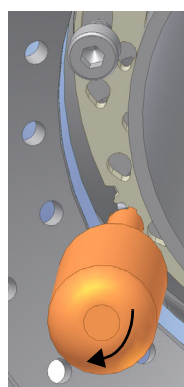
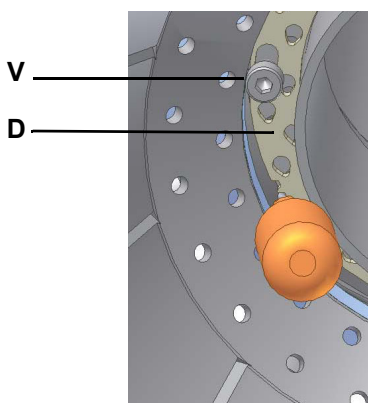
Regolazione del flusso di gas tramite i fori centro testa (per bruciatori di GPL)

Per regolare, solo se necessario, il flusso di gas, chiudere parzialmente i fori del disco forato, seguendo la procedura riportata sotto:

- 1 allentare le tre viti **V** che fissano il disco forato **D**;
- 2 agendo con un cacciavite sulle tacche di regolazione del disco forato, farlo scorrere in senso orario/antiorario in modo da aprire/chiudere i fori;
- 3 ultimata la regolazione, fissare le viti **V**.



ATTENZIONE: eseguire queste operazioni dopo aver spento e lasciato raffreddare il bruciatore.



fori aperti



fori chiusi

Il piattello deve essere regolato durante la messa in servizio dell'impianto.

La taratura di fabbrica dipende dalla tipologia di combustibile per il quale il bruciatore è stato progettato:

- Per bruciatori GPL, i fori sono aperti di circa 1.4mm.

La taratura di fabbrica dipende dal tipo di combustibile per il quale il bruciatore è stato progettato:

PROCEDURA DI REGOLAZIONE NEL FUNZIONAMENTO A GASOLIO

La portata dell'olio viene regolata scegliendo un ugello di dimensione adatta alla potenza della caldaia/utilizzo e tarando le pressioni di mandata e di ritorno secondo i valori riportati nei diagrammi;

UGELLO	PRESSIONE ALIMENTAZIONE UGELLO bar	PRESSIONE RITORNO ALTA FIAMMA bar	PRESSIONE RITORNO BASSA FIAMMA bar
MONARCH BPS	20	Vedere tabella	Vedere tabella
BERGONZO A3	20	11 ÷ 13	5 (consigliato)

UGELLO MONARCH

Taglia ugello (GPH)	PRESSIONE DI RITORNO bar													Portata in kg/h con ritorno chiuso	Pressione (bar) con ritorno chiuso (da usare per la scelta dell'ugello)
	0	1,4	2,8	4,1	5,5	6,9	8,3	9,6	11	12,4	13,8	15,2			
0,75	1,3	1,6	2,1	2,5										3,2	5,5
1,0	2,1	2,1	2,4	3,0	3,7	4,6	5,2							5,4	8,6
1,5	2,9	3,0	3,3	4,1	4,9	6,0	7,0							7,9	9,3
2,0	4,6	5,1	5,4	6,4	7,5	8,7	9,9							10,5	9,3
2,5	3,5	4,1	4,9	5,9	7,5	9,1	10,8	12,4						13,5	10,7
3,0	5,6	5,9	6,2	7,2	8,7	10,0	11,9	13,8						15,3	11,0
3,5	7,0	7,2	7,8	8,7	9,9	11,3	12,4	13,7	18,4					19,7	12,1
4,0	7,8	7,9	8,3	8,6	10,3	11,6	13,0	14,1	17,3	20,2				21,0	12,8
4,5	9,2	9,4	10,0	11,0	11,9	12,9	14,3	15,3	17,2	24,5				24,8	14,1
5,0	10,8	11,0	11,3	11,6	13,0	14,3	15,6	17,0	18,6	24,3				26,2	13,4
5,5	9,7	10,0	10,2	11,1	12,1	13,4	14,8	16,4	18,1					29,7	12,4
6,0	9,2	9,5	9,9	10,0	10,8	12,4	14,1	15,7	17,5	18,9	29,3			33,1	14,8
6,5	10,5	10,8	11,1	11,4	12,1	13,8	15,3	16,5	18,4	20,0	22,4	36,2		36,7	15,5
7,0	8,7	9,4	10,0	11,4	13,2	14,9	17,2	19,6	23,1	25,1	33,2			33,7	15,2
7,5	11,3	11,8	10,3	13,0	14,3	15,3	17,2	19,2	21,8	24,2	30,4			39,3	14,1
8,0	9,9	9,9	10,2	11,3	12,6	14,3	16,1	18,4	21,1	24,3				39,7	13,8
9,0	10,8	11,0	11,1	12,6	14,5	16,1	18,8	21,8	25,1	28,9				45,9	13,8
9,5	11,4	11,6	12,2	13,7	15,3	17,3	19,7	23,2	26,5	30,0	33,5			49,1	14,5
10,5	11,6	11,6	12,2	13,7	15,4	17,6	20,7	24,0	27,3	31,2	35,5			50,9	15,2
12,0	13,7	14,0	14,3	15,6	18,1	21,9	25,8	30,2	34,7	39,7	44,5			61,7	14,5
13,8	13,4	13,4	13,7	15,6	18,1	23,2	28,3	34,7	41,0	47,7	54,7			71,2	15,2
15,3	16,5	16,9	17,2	18,4	20,7	23,8	28,3	33,1	36,9	44,5	51,8			76,0	15,2
17,5	21,6	21,9	21,9	23,2	25,8	29,6	34,7	40,7	46,4	54,0	62,3	71,2		89,7	15,5
19,5	19,7	20,0	20,3	21,3	23,8	28,0	32,7	39,7	47,1	55,3	66,4	75,0		97,3	16,2
21,5	24,8	24,8	25,1	26,1	28,3	33,4	37,8	45,1	53,1	61,7	73,8	83,9		106,5	16,6
24,0	26,7	27,0	27,7	29,3	31,8	36,6	45,8	55,0	65,5	77,3	90,9	106,2		111,6	15,9
28,0	28,6	28,9	30,5	35,3	43,6	42,1	67,1	85,5	107,1	127,8	151,7			154,8	14,8
30,0	25,8	25,8	28,6	35,9	43,2	56,3	73,8	90,6	102,4	120,8	144,0	160,9		164,1	15,5
35,0	34,3	35,0	40,7	49,9	63,6	82,7	103,6	122,1	145,9	120,8				186,0	13,8
40,0	52,8	53,1	60,4	70,6	86,8	106,5	128,8	149,7	179,6	172,6				217,2	13,1
45,0	73,4	73,4	83,0	93,5	112,2	134,5	157,7	185,0	225,7	209,8				242,3	12,4
50,0	92,5	94,4	104,6	118,9	139,9	167,2	196,8	231,8	263,3					266,8	11,4

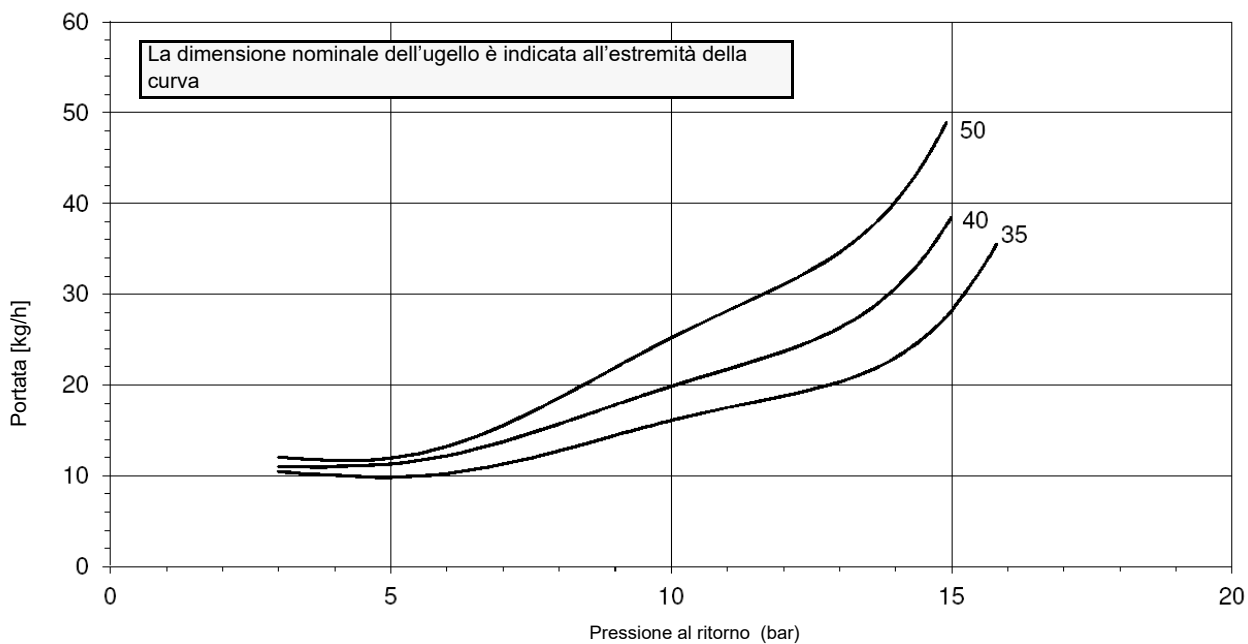
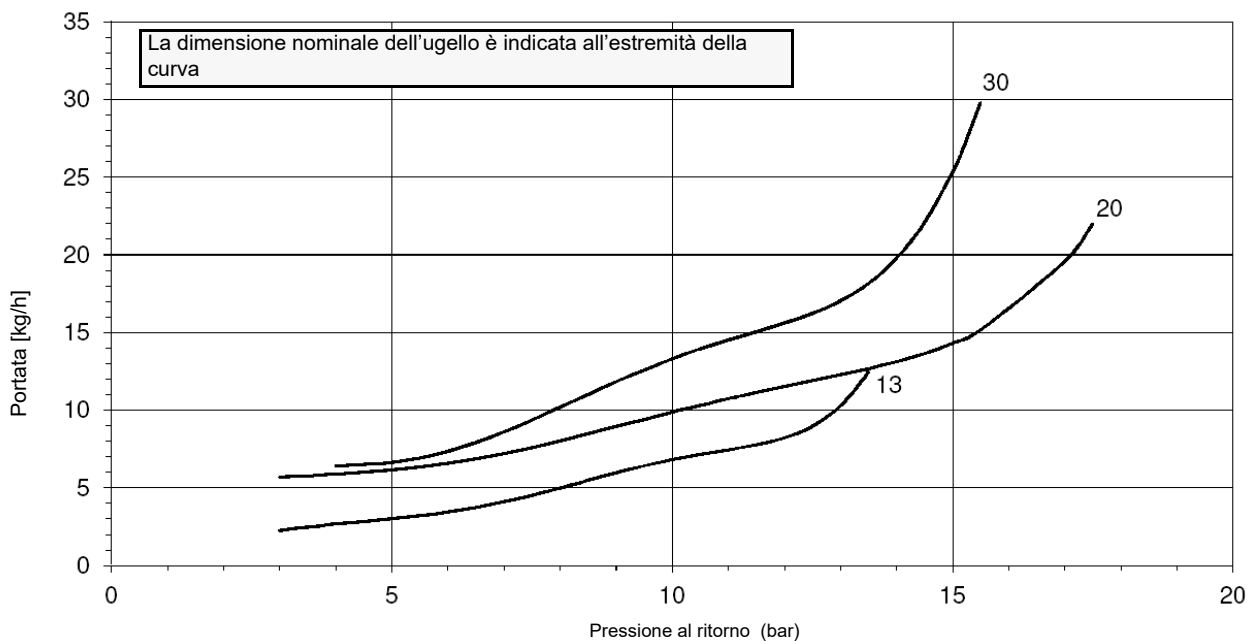
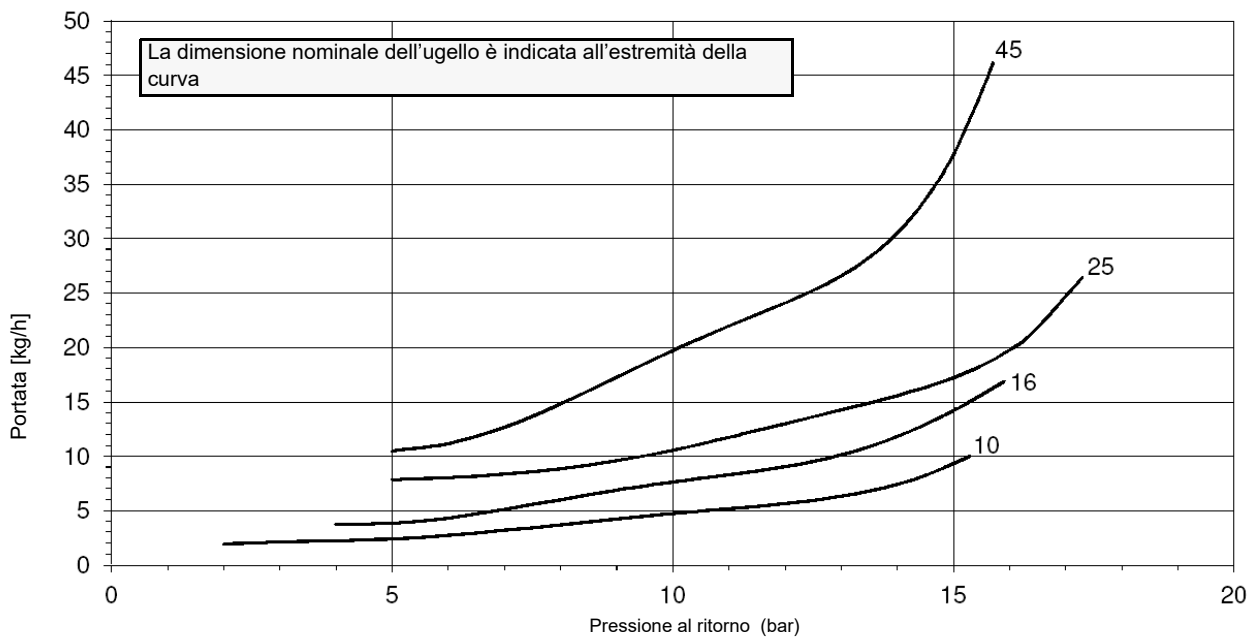
Tab. 1 - Ugello Monarch

N.B. Peso specifico del gasolio 0.840 kg/dm³

Esempio: Se, si ha in dotazione un ugello mod. MONARCH di grandezza pari a 10.5 GPH, quando la pressione di ritorno è di circa 13.80 bar, si otterrà una portata di 35.5 kg/h (vedi esempio in Tab. 1). Se, con lo stesso tipo di ugello, si ha una pressione di ritorno di 8.3 bar, il valore della portata sarà di 20.7 kg/h. La portata in alta fiamma è la portata relativa all'ugello scelto con ritorno chiuso. La portata in bassa fiamma è tarabile tramite il regolatore manuale, avendo l'accortezza di non scendere sotto gli 8 bar.

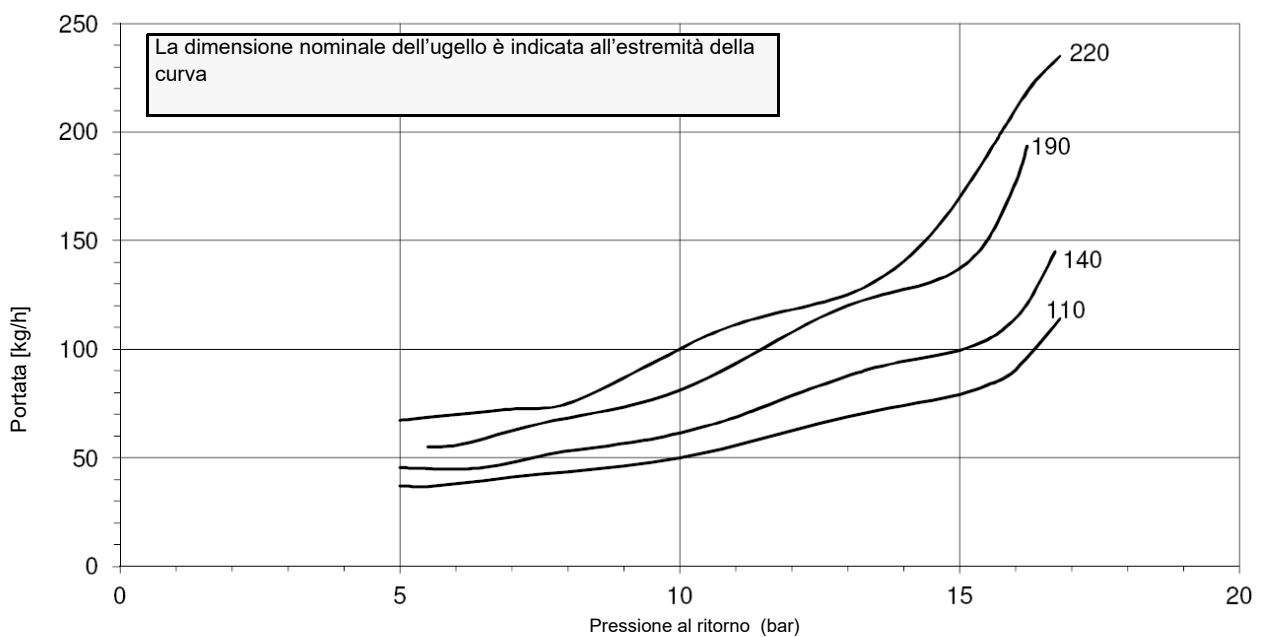
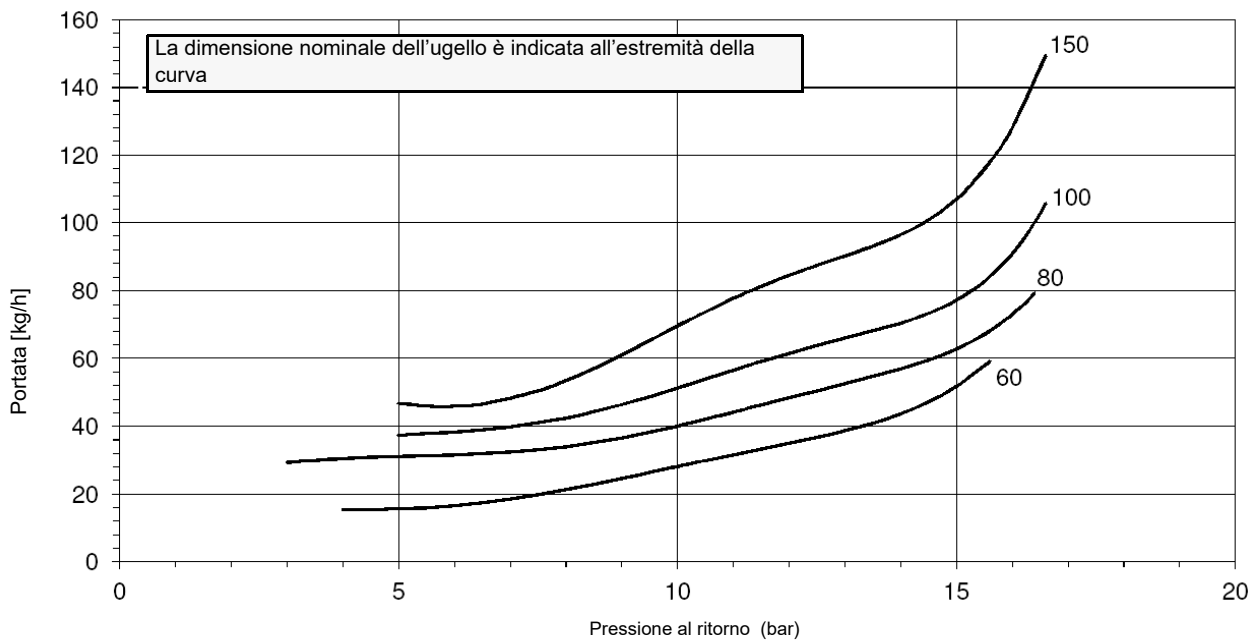
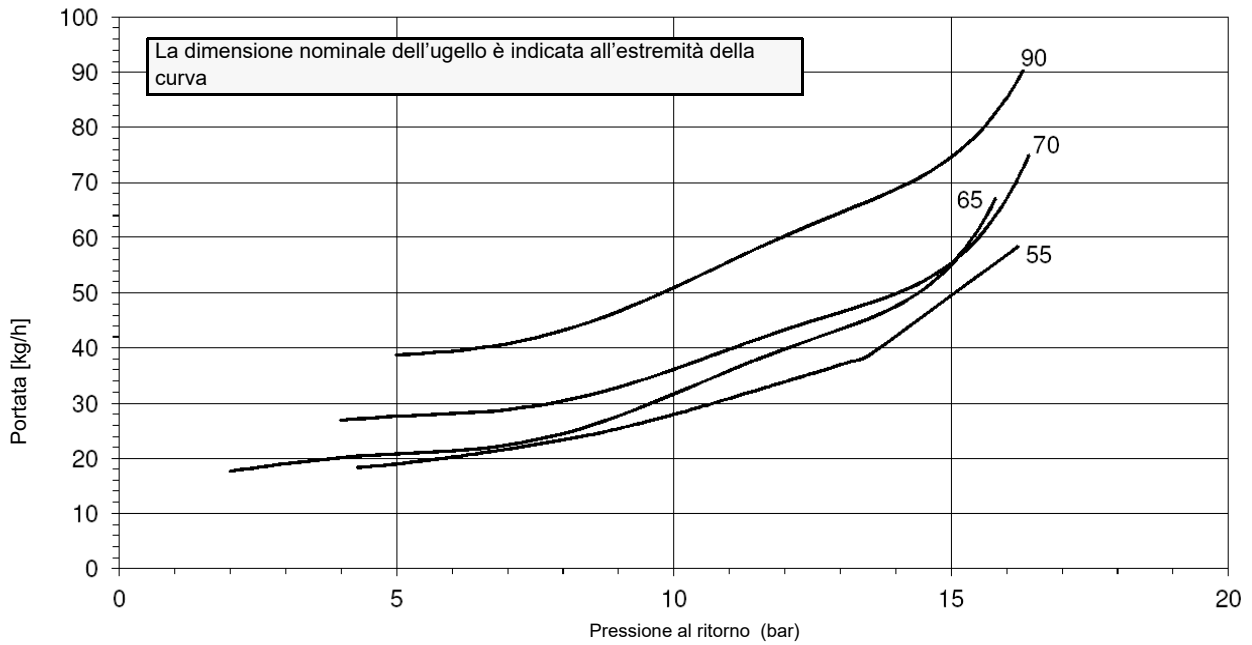
FLUIDICS KW3...45°

PRESSIONE ALIMENTAZIONE UGELLO = 20 bar. VISCOSITA' ALL'UGELLO = 5 cSt



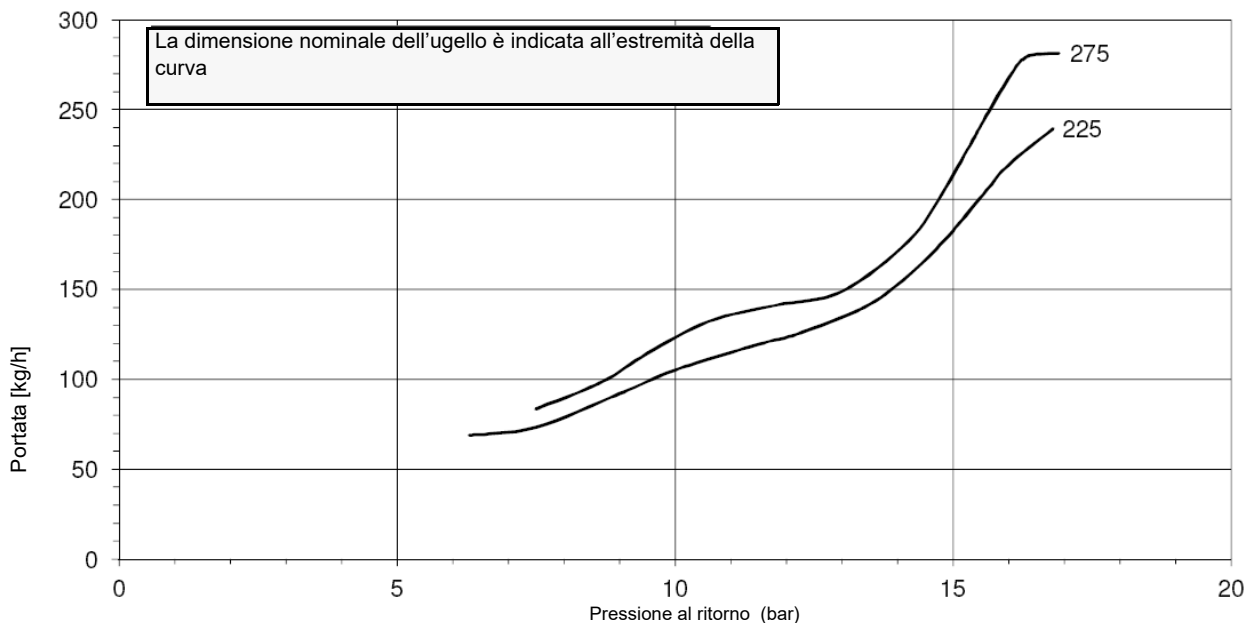
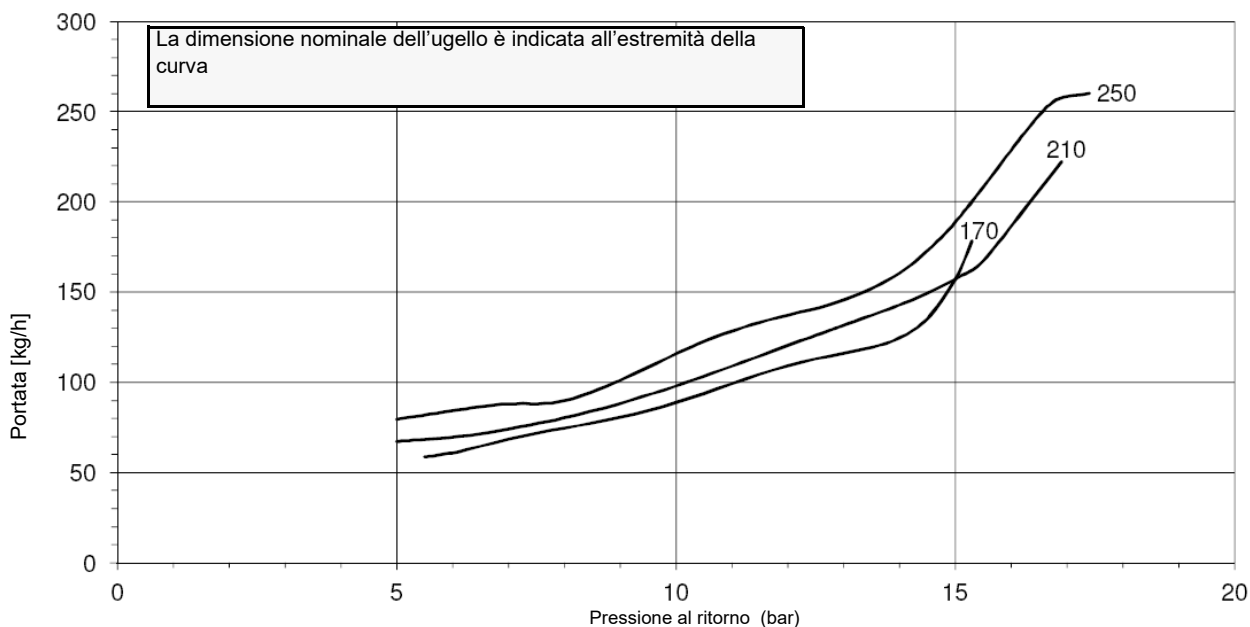
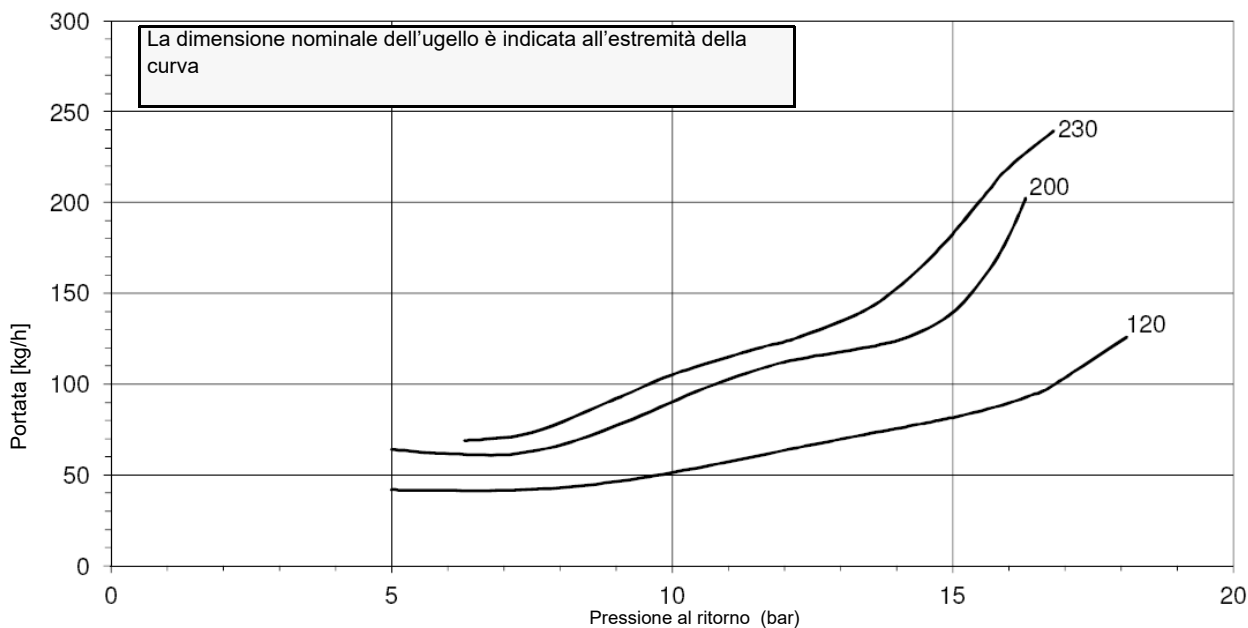
FLUIDICS KW3...45°

PRESSIONE ALIMENTAZIONE UGELLO = 20 bar. VISCOSITA' ALL'UGELLO = 5 cSt

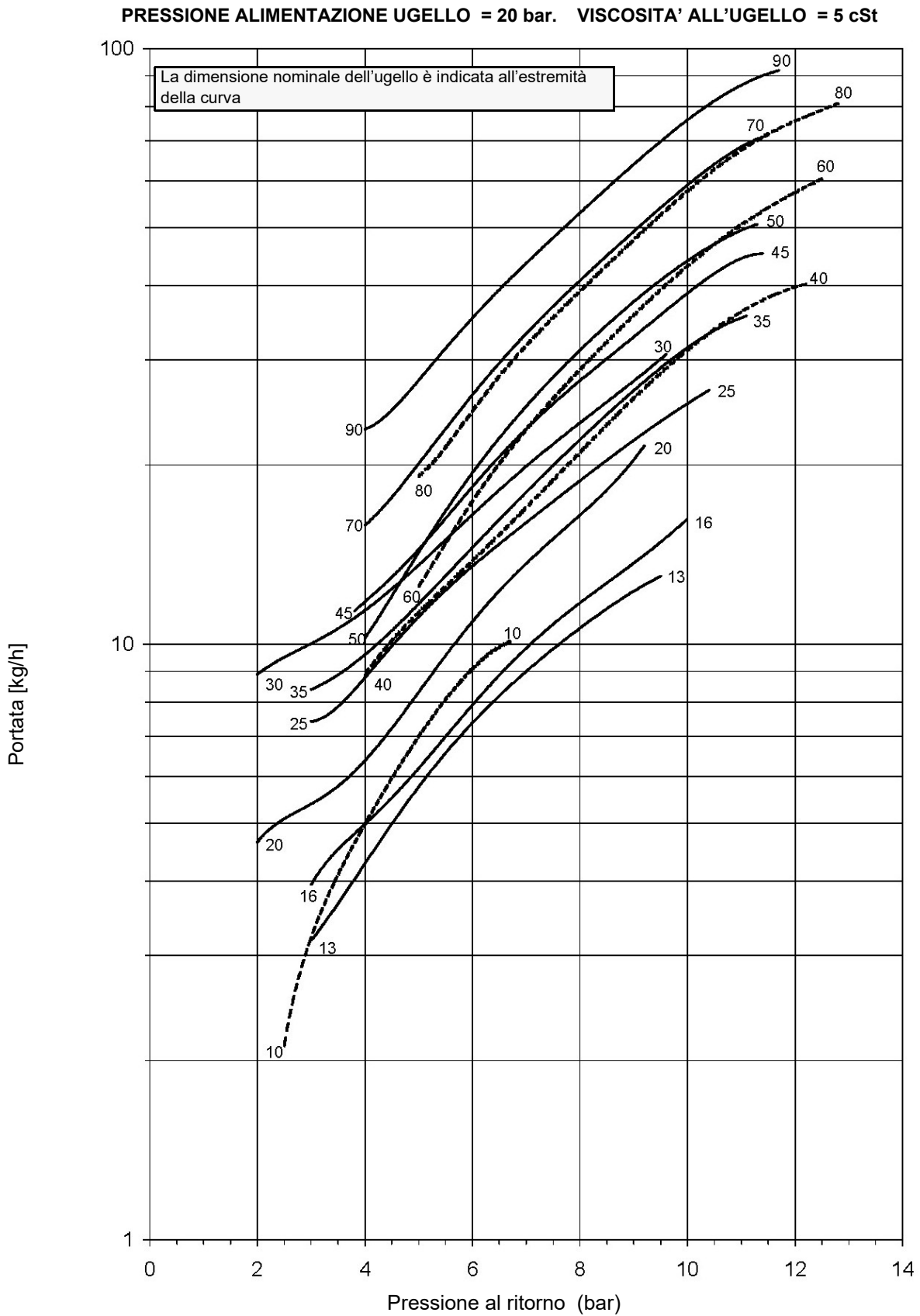


FLUIDICS KW3...45°

PRESSIONE ALIMENTAZIONE UGELLO = 20 bar. VISCOSITA' ALL'UGELLO = 5 cSt

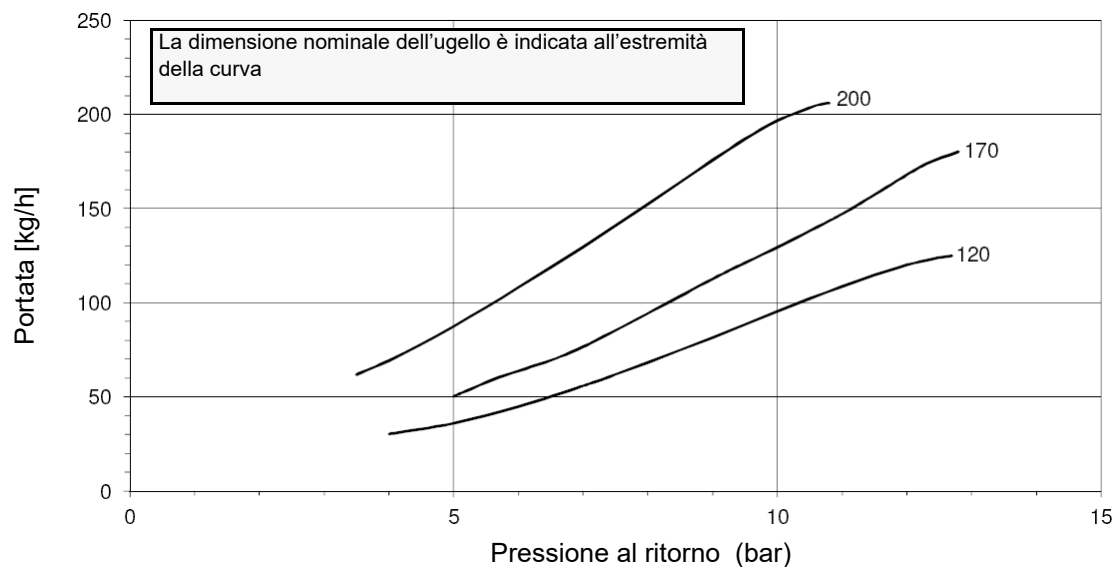
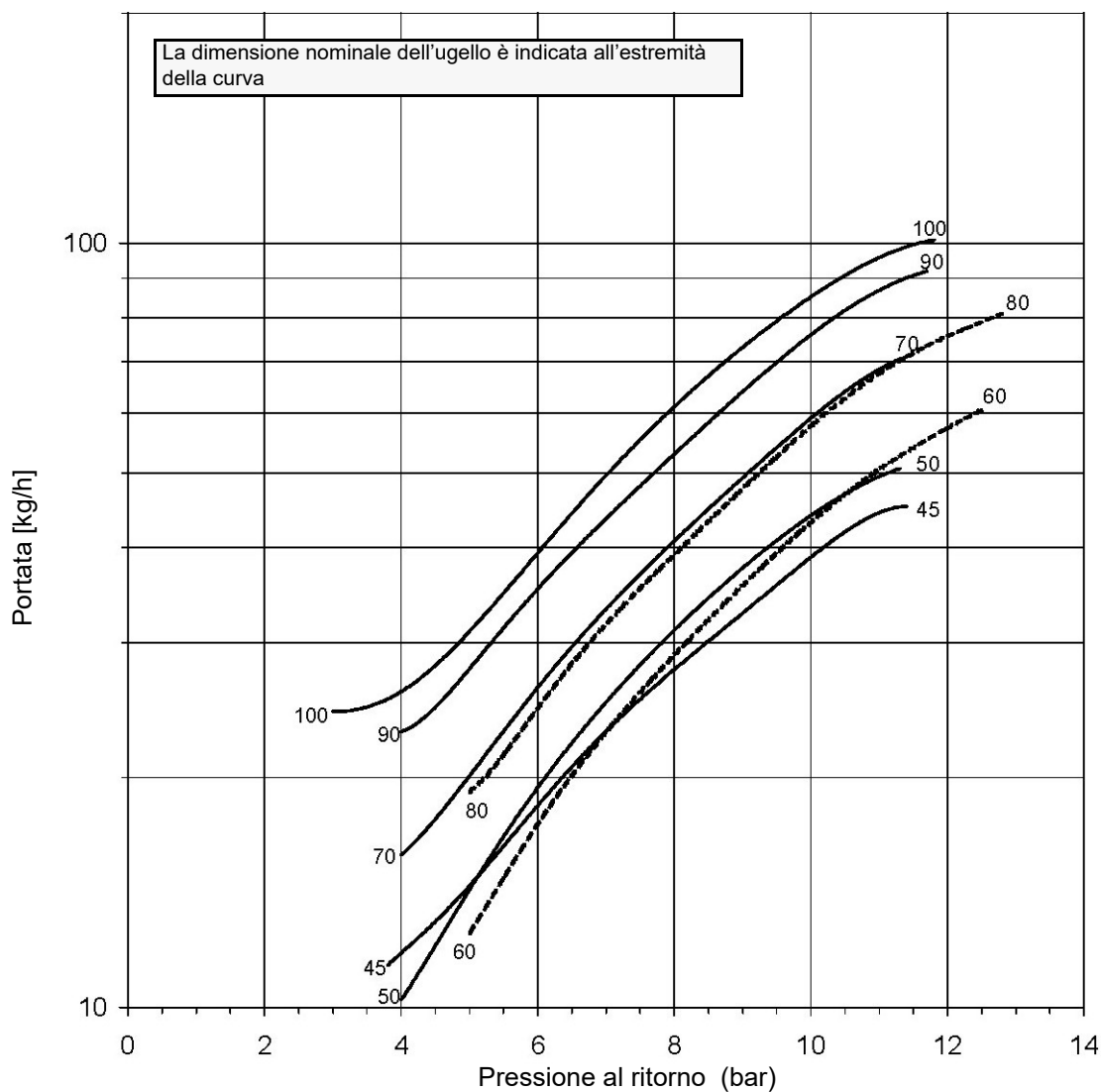


FLUIDICS KW3...60°



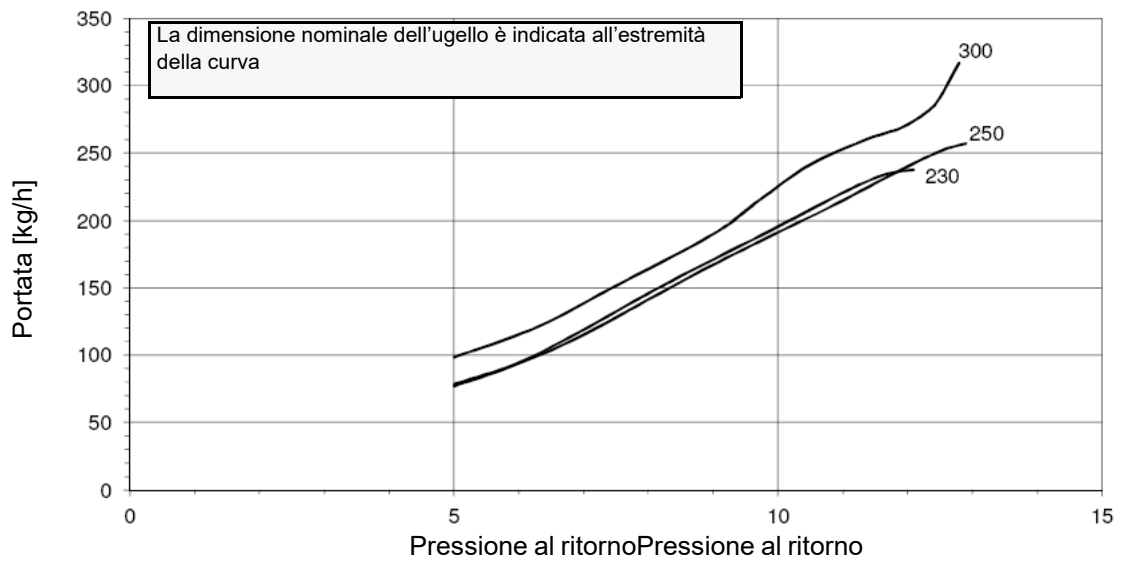
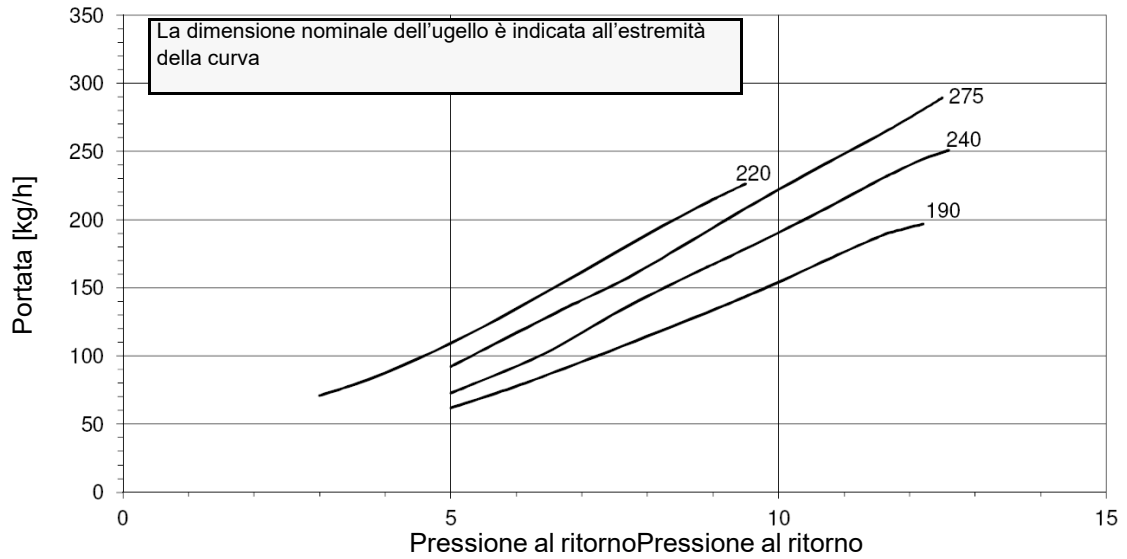
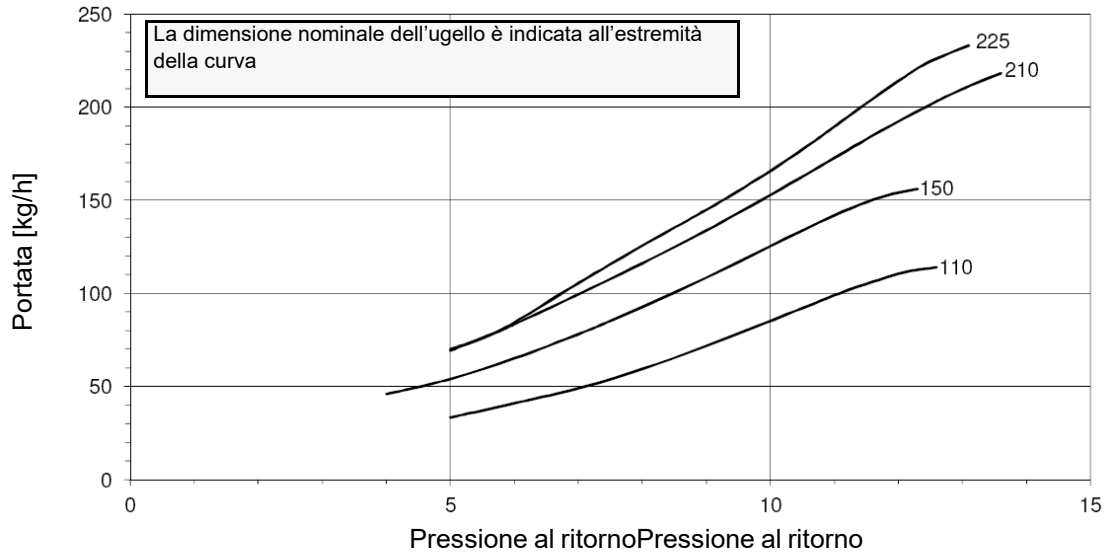
FLUIDICS KW3...60°

PRESSIONE ALIMENTAZIONE UGELLO = 20 bar. VISCOSITA' ALL'UGELLO = 5 cS



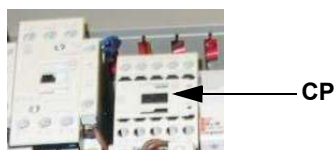
FLUIDICS KW3...60°

PRESSIONE ALIMENTAZIONE UGELLO = 20 bar. VISCOSITA' ALL'UGELLO = 5 cSt

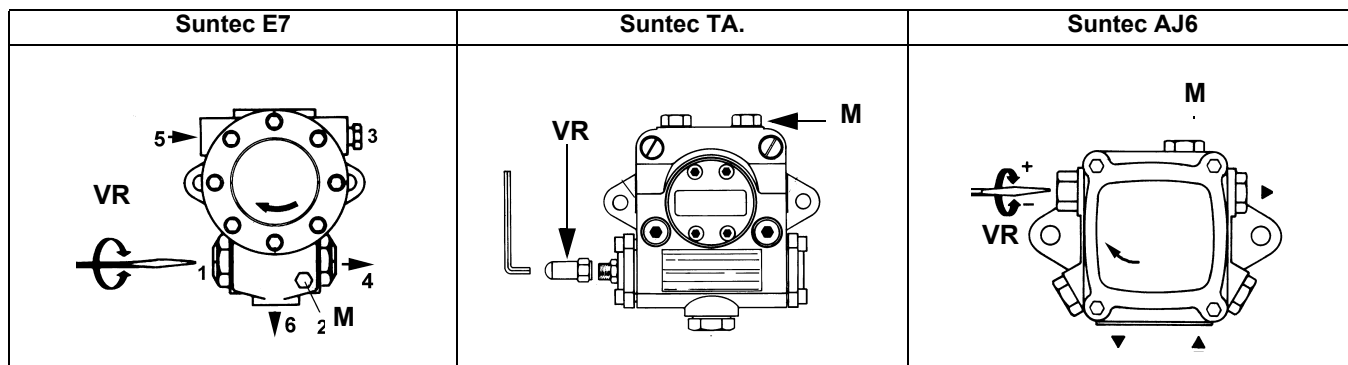


Bruciatori progressivi

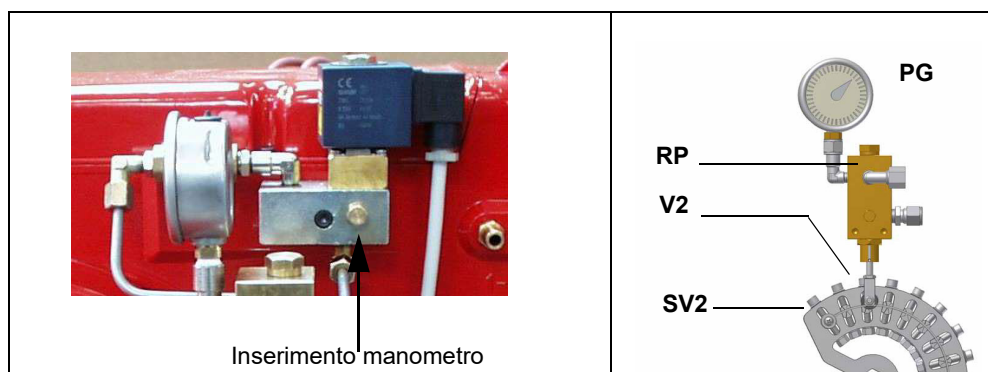
- 1 Dopo avere eseguito la taratura per il funzionamento a gas, spegnere il bruciatore e selezionare il funzionamento a olio combustibile (OIL) tramite il selettore presente sul pannello di controllo del bruciatore.
- 2 Azionare la pompa dell'olio agendo sul relativo contattore **CP** (vedi figura): verificare il senso di rotazione del motore pompa e tenere premuto per alcuni secondi finché il circuito dell'olio non si carica;



- 3 sfiatare l'aria dall'attacco (**M**) manometro della pompa, allentando leggermente il tappo, senza toglierlo; quindi rilasciare il contattore.



- 4 Prima di accendere il bruciatore, per potere raggiungere in sicurezza la posizione di alta fiamma, portare il microinterruttore di alta fiamma del servocomando, in corrispondenza di quello di bassa fiamma (in modo da fare funzionare il bruciatore al minimo della potenza).
- 5 Avviare il bruciatore, tramite la serie di termostati; attendere che finisca la fase di preventilazione e che il bruciatore si accenda;
- 6 portare il bruciatore in alta fiamma tramite il termostato **TAB** (per i bruciatori modulanti, vedere il paragrafo relativo).
- 7 Spostare, quindi, il microinterruttore di alta fiamma su valori progressivamente più alti fino a raggiungere la posizione di alta fiamma, sempre controllando i valori di combustione ed eventualmente regolando la pressione dell'olio (vedi punto successivo).



- 8 Solo se necessario, regolare la pressione di alimentazione nel modo seguente: inserire un manometro nella posizione indicata in figura e agire sulla vite di regolazione **VR** della pompa. Fare riferimento ai valori di pressione indicati ad inizio paragrafo;
- 9 per ottenere la portata massima dell'olio regolare la pressione (leggendo il valore sul manometro PG), senza variare la portata d'aria stabilita durante la taratura in funzionamento a gas (vedi par. precedente): sempre controllando i valori di combustione, agire sulla vite del settore variabile relativo all'olio **SV2** una volta raggiunta la posizione di alta fiamma.
- 10 dopo avere regolato la portata gasolio alla potenza massima (la portata dell'aria rimane quella stabilita nella regolazione a gas), procedere alla regolazione punto per punto sul settore variabile SV2 (lato gasolio) fino al punto di minima potenza, spostare gradualmente il settore variabile e regolare ciascuna vite V2 fino a stabilire il profilo della lamina, procedendo come descritto ai punti successivi.
- 11 Per regolare punto-punto il settore variabile, spostare prima il microinterruttore di bassa fiamma del gas appena sotto il massimo (90°);
- 12 portare il termostato **TAB** al minimo in modo che il servocomando agisca in chiusura, (per i bruciatori modulanti, vedere il paragrafo relativo)
- 13 spostare la camma di bassa fiamma verso il minimo in modo che il servocomando inizi a chiudere fino a che i due cuscinetti siano in corrispondenza della vite di regolazione relativa al punto immediatamente inferiore: avvitare la vite **V2** per aumentare la portata, svitare per diminuirla.
- 14 Spostare nuovamente la camma III verso il minimo fino alla successiva vite e ripetere quanto descritto al punto precedente, continuare in questo modo fino a raggiungere il punto di bassa fiamma desiderato.
- 15 La posizione della bassa fiamma, non deve mai coincidere con la posizione di accensione e per questa ragione la camma deve essere tarata ad almeno 20° - 30° in più della posizione di accensione.

Spegnere e riaccendere il bruciatore. Se la portata dell'olio necessita di ulteriori regolazioni, ripetere i punti precedenti.

16

Bruciatori modulanti

Per regolare i bruciatori modulanti, servirsi del selettore **CMF** presente sul pannello di controllo del bruciatore (vd. figura), invece di utilizzare il termostato **TAB** come descritto nella regolazione dei bruciatori progressivi. Procedere alla regolazione come descritto nei paragrafi precedenti, facendo attenzione all'impiego del selettore **CMF**.

La posizione del selettore determina gli stadi di funzionamento: per portare il bruciatore in alta fiamma, porre il selettore CMF a 1, per portarlo in bassa fiamma porre **CMF** a 2.



- CMF = 0 servocomando fermo nella posizione in cui si trova
- CMF = 1 funzionamento alta fiamma
- CMF = 2 funzionamento bassa fiamma
- CMF = 3 funzionamento automatico

Pressostato di massima olio - taratura

Il pressostato di massima sulla linea di ritorno dell'olio serve per monitorare che la pressione non ecceda un valore prefissato. Va tarato a non oltre la pressione massima accettabile sulla linea di ritorno. Tale valore è riportato nei dati tecnici. Una variazione di pressione sulla linea di ritorno ha influenza sui parametri di combustione; per questo motivo, il pressostato va tarato ad un valore del 20% superiore rispetto alla pressione che si registra all'atto della regolazione della combustione. Il valore di taratura di fabbrica è pari a 4 bar

Buona norma è verificare che, anche a fronte di una variazione di pressione tale da arrivare vicino al limite di intervento del pressostato, i parametri di combustione rientrino nel campo di valori accettabili. Questo controllo va fatto su tutto l'arco di funzionamento della macchina. Si riscontrassero valori non accettabili, ridurre dal 20% al 15% la sovrappressione di taratura e ripetere le sopraccitate operazioni.

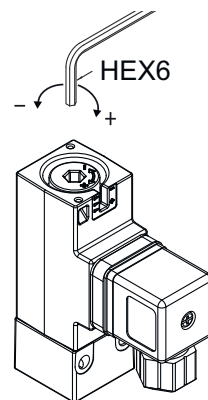
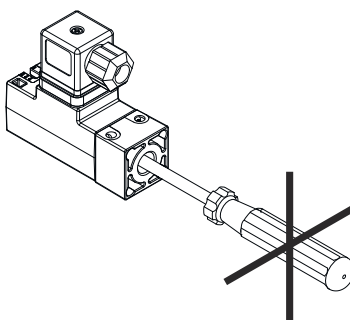
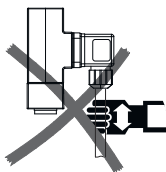
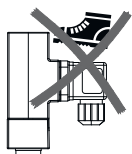
Pressostato di minima olio - taratura (dove presente)

Il pressostato di minima sulla linea di mandata dell'olio serve per monitorare che la pressione non scenda al di sotto di un valore prefissato. Si consiglia un valore di taratura inferiore del 10% rispetto al valore di pressione all'ugello.

Pressostato olio - regolazioni

Le regolazioni vanno effettuate secondo le istruzioni di seguito, in base al pressostato installato.

Trafag Picostat 9B4..



PARTE IV: MANUTENZIONE

Almeno un volta all'anno eseguire le operazioni di manutenzione riportate nel seguito. Nel caso di servizio stagionale si raccomanda di eseguire la manutenzione alla fine di ogni stagione di riscaldamento; nel caso di servizio continuativo la manutenzione va eseguita ogni 6 mesi.



ATTENZIONE! TUTTI GLI INTERVENTI SUL BRUCIATORE DEVONO ESSERE EFFETTUATI CON L'INTERRUTTORE ELETTRICO GENERALE APERTO E VALVOLE MANUALI DI INTERCETTAZIONE DEL COMBUSTIBILE CHIUSE. ATTENZIONE: LEGGERE SCRUPolosAMENTE LE AVVERTENZE RIPORTATE ALL'INIZIO DEL MANUALE.

OPERAZIONI PERIODICHE

- A bruciatore spento verificare che il contatore del gas sia fermo. Nel caso dovesse girare, ricercare eventuali perdite.
- Verificare che tutte le parti a contatto con l'aria comburente (cassetto aria, rete di protezione e coclea) siano pulite e sgombre da qualsiasi impedimento al libero afflusso. Pulirla utilizzando, se disponibile, l'aria compressa e/o un pennello a secco o stracci. Eventualmente lavare utilizzando prodotti detergenti non corrosivi.
- Verifica dello stato del boccaglio. Il boccaglio deve essere sostituito nel caso di evidenti rotture o forature anomale. Leggere deformazioni che non influenzano la combustione possono essere accettate.
- Pulizia ed esame cartuccia filtro combustibile, in caso di necessità sostituirla;
- esame stato conservazione flessibili combustibile, verifica esistenza di eventuali perdite;
- pulizia ed esame filtro all'interno della pompa combustibile: per assicurare il corretto funzionamento della pompa è consigliabile la pulizia del filtro almeno una volta all'anno. Per togliere il filtro è indispensabile rimuovere il coperchio, svitando le quattro viti con una chiave brugola. Durante il rimontaggio fare attenzione che i piedini di sostegno del filtro siano rivolti verso il corpo pompa. Se possibile sostituire la guarnizione del coperchio.
- smontaggio esame e pulizia testa di combustione, nel successivo rimontaggio rispettare scrupolosamente le misure indicate nel manuale.
- esame elettrodi di accensione e relativi isolatori in ceramica, pulizia, eventuale registrazione e, se necessario, sostituzione;
- smontaggio e pulizia degli ugelli combustibile (IMPORTANTE: la pulizia deve essere eseguita utilizzando solventi e non utensili metallici!), al termine delle operazioni di manutenzione, dopo aver rimontato il bruciatore, accendere la fiamma e verificare la combustione; in caso di dubbio sostituire gli ugelli, o l'ugello, difettosi/o; in caso di impiego intenso del bruciatore si consiglia la sostituzione preventiva degli ugelli all'inizio della stagione di funzionamento;
- esame elettrodo/fotocellula di rilevazione (a seconda del modello di bruciatore), pulizia, eventuale registrazione e, se necessario, sostituzione. In caso di dubbio verificare il circuito di rilevazione, dopo aver rimesso in funzione il bruciatore, seguire gli schemi riportati nel manuale.
- pulizia ed ingrassaggio di leve e parti rotanti.
- Almeno ogni 2 mesi, o con frequenza maggiore a seconda dei casi, eseguire una pulizia del locale di installazione del bruciatore.
- Evitare di lasciare all'interno del locale di installazioni, carte, sacchetti di nylon, ecc... Potrebbero venire aspirati dal bruciatore e creare malfunzionamento
- Verificare che le aperture di aerazione del locale siano prive di ostruzioni.



PERICOLO! Una rotazione errata del motore può provocare gravi danni a persone e cose. ATTENZIONE: se, durante le operazioni di manutenzione, si rendesse necessario smontare le parti costituenti la rampa del gas, ricordarsi di eseguire, una volta rimontata la rampa, la prova di tenuta secondo le modalità previste dalle normative vigenti.

Manutenzione del filtro gas

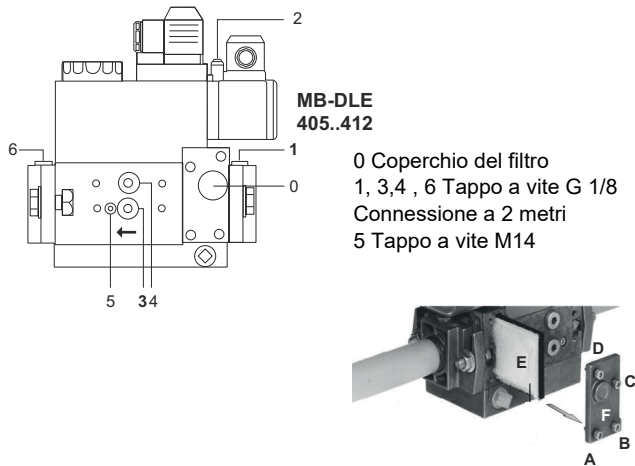
Le rampe gas possono avere un filtro incluso nel corpo valvola quando un Multiblock MB-DLE è fornito. Negli altri casi è presente un filtro dedicato. A seguire le istruzioni per la manutenzione del filtro



PERICOLO: prima di aprire il filtro chiudere la valvola di intercettazione del gas a valle e sfiatare; assicurarsi, inoltre, che al suo interno non vi sia gas in pressione.

Filtro gas incluso nel corpo valvola

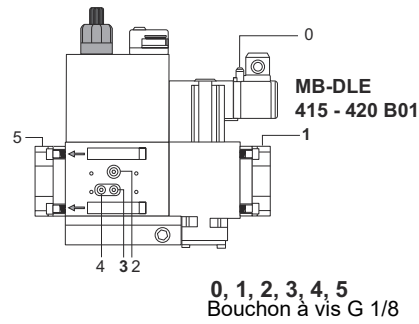
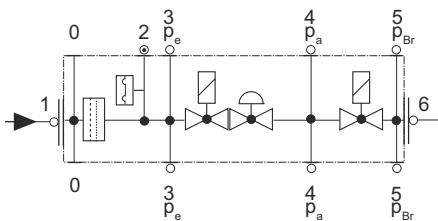
Per pulire o sostituire il filtro gas procedere nel modo seguente:



**MB-DLE
405..412**

- 0 Coperchio del filtro
- 1, 3,4 , 6 Tappo a vite G 1/8
- Connessione a 2 metri
- 5 Tappo a vite M14

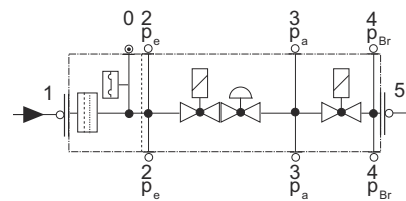
Prese di pressione



**MB-DLE
415 - 420 B01**

- 0, 1, 2, 3, 4, 5
- Bouchon à vis G 1/8

Prese di pressione



- Pulire o sostituire il filtro se la differenza di pressione fra i punti 1 e 3 è $\Delta p > 10$ mbar.
- Pulire o sostituire il filtro se la differenza di pressione fra i punti 1 e 3 risulta raddoppiata dall'ultimo controllo.

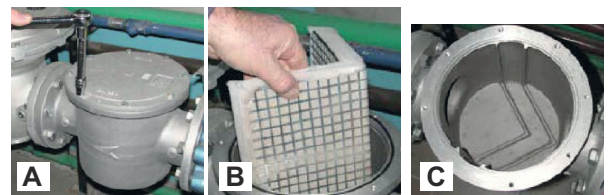
Il cambio del filtro può essere effettuato senza smontare la valvola.

- 1 Interrompere l'afflusso del gas chiudendo il rubinetto manuale di intercettazione.
- 2 Svitare le viti A ÷ D con una chiave esagonale n. 3 e togliere il coperchio del filtro E
- 3 Sostituire la cartuccia del filtro E
- 4 Rimontare il coperchio F, riavvitare e stringere senza sforzo le viti A ÷ D
- 5 Effettuare un controllo funzionale di tenuta, $p_{max.} = 360$ mbar.
- 6 Attenzione a non fare cadere lo sporco dentro la valvola.

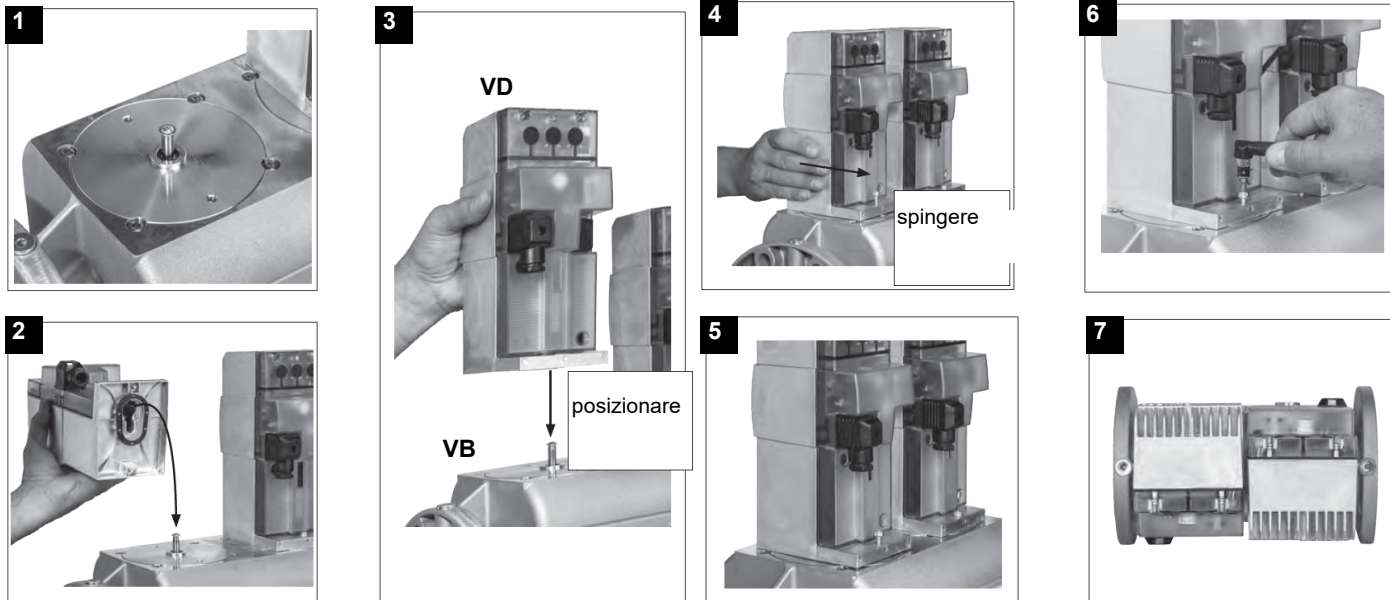
Filtro gas in linea

Per pulire o sostituire il filtro gas procedere nel modo seguente:

- 1 togliere il coperchio svitando le viti di bloccaggio (A);
- 2 smontare la cartuccia filtrante (B), pulirla con acqua e sapone, soffiarla con aria compressa (o sostituirla se necessario)
- 3 rimontare la cartuccia nella posizione iniziale controllando che sia sistemata tra le apposite guide e che non ostacoli il montaggio del coperchio;
- 4 facendo attenzione che l'o-Ring sia sistemato nell'apposita cava (C), richiudere il coperchio bloccandolo con le apposite viti (A).

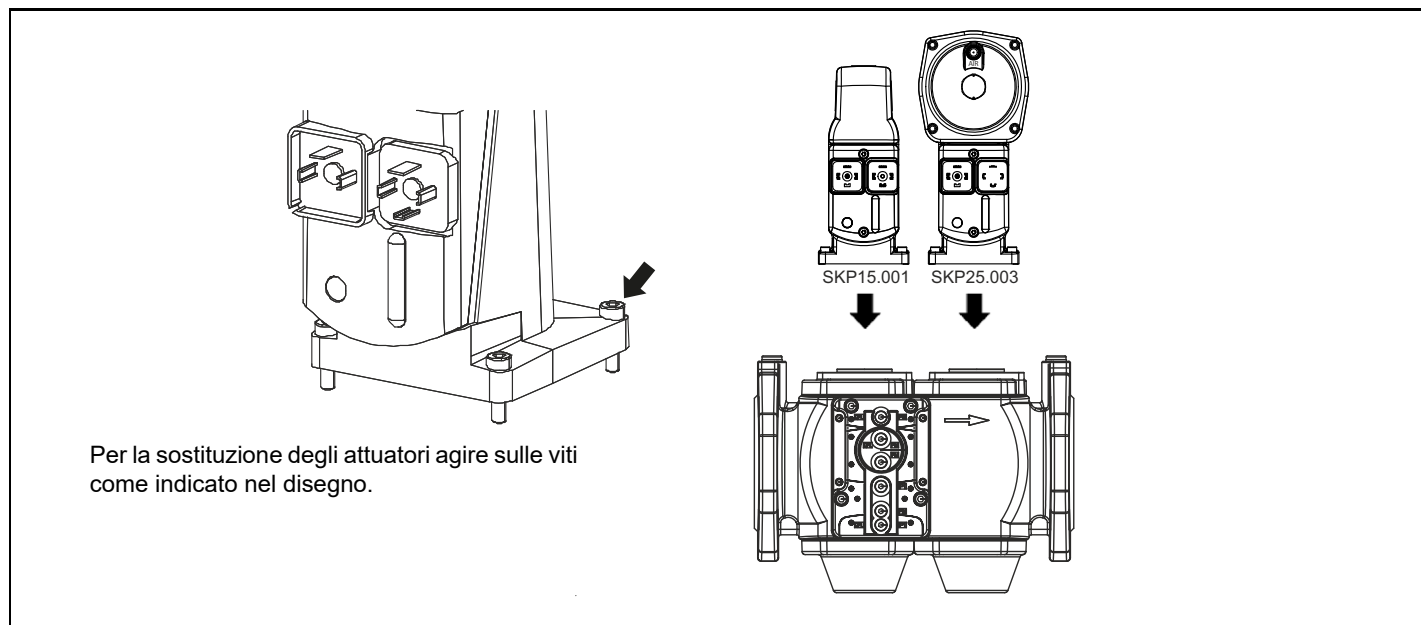


MultiBloc VD-V e VD-R - Sostituzione attuatori e valvole



1. Applicare VD su VB, fig. 2+3.
2. Spingere VD in avanti fino alla battuta, fig. 4.
3. Fissare VD rispettivamente con 2 viti M5, max. 5 Nm/44 in.lb, fig. 5/6.
4. VD può essere montato ruotato di 180°, fig. 7.

Siemens SKP15 e SKP25 Sostituzione attuatori e valvole





Procedura tecnica di sostituzione del pacco filtrante

- 1 Chiudere la valvola di intercettazione combustibile a monte/valle del filtro autopulente
- 2 Togliere tensioni da eventuali apparecchiature elettriche a bordo filtro (esempio motorizzazioni o resistenze)



ATTENZIONE! Svuotare l'impianto svitando il tappo di spurgo posto sul fondo del filtro autopulente

- 3 Scollegare la tubazione (o tubo flessibile) in uscita dal coperchio del filtro autopulente
- 4 Sfilare il coperchio con tutto il pacco filtrante, lasciando la sola vaschetta sulla rampa
- 5 Pulire i residui sul fondo della vaschetta e cestello (rete), pulire la sede dell'O-Ring di tenuta



ATTENZIONE! Sostituire L'O-ring di tenuta fra vaschetta e coperchio

- 6 Inserire nuovamente il pacco filtrante assicurandosi di rispettare il corretto verso di entrata/uscita o eventuali riferimenti su coperchio e vaschetta
- 7 Ripristinare il filtro seguendo le operazioni dall'ordine inverso
- 8 Assicurarsi che non ci siano perdite e dare tensioni alle eventuali apparecchiature elettriche a bordo filtro

Estrazione della testa di combustione

- Togliere la calotta H.
- Sfilare la fotocellula UV dal suo alloggiamento.
- Svitare le due viti S che tengono in posizione l'indicatore e quindi svitare VRT per liberare l'asta filettata AR.
- Svitare le viti V che bloccano il collettore del gas C, allentare i due raccordi B (Fig. 5) ed estrarre il gruppo completo come mostrato in Fig. 4.

Nota: per il successivo rimontaggio eseguire in ordine inverso le operazioni sopra descritte, verificando la corretta posizione dell'anello OR.

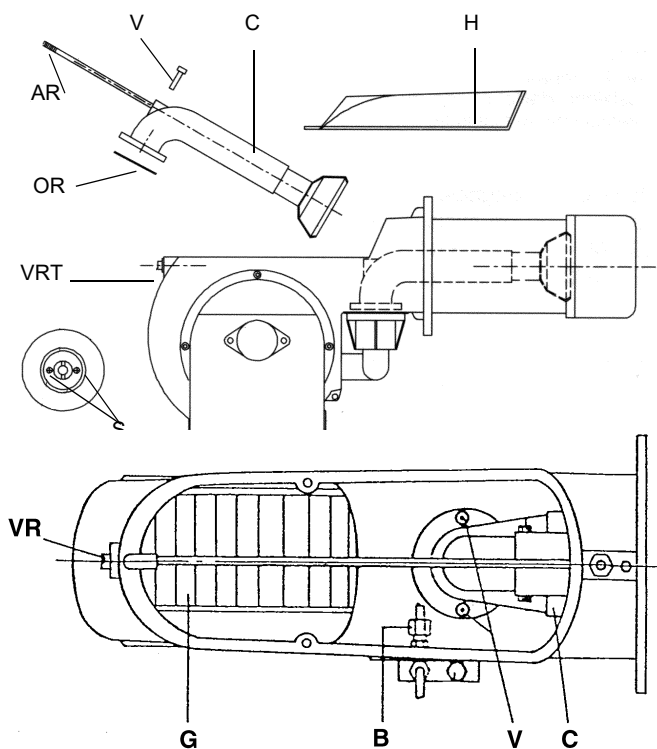


Fig. 5

Legenda

- V Viti fissaggio gruppo C
- C Collettore gas
- B Dado di raccordo tubetti gasolio
- G Ventola
- VR Vite regolazione testa

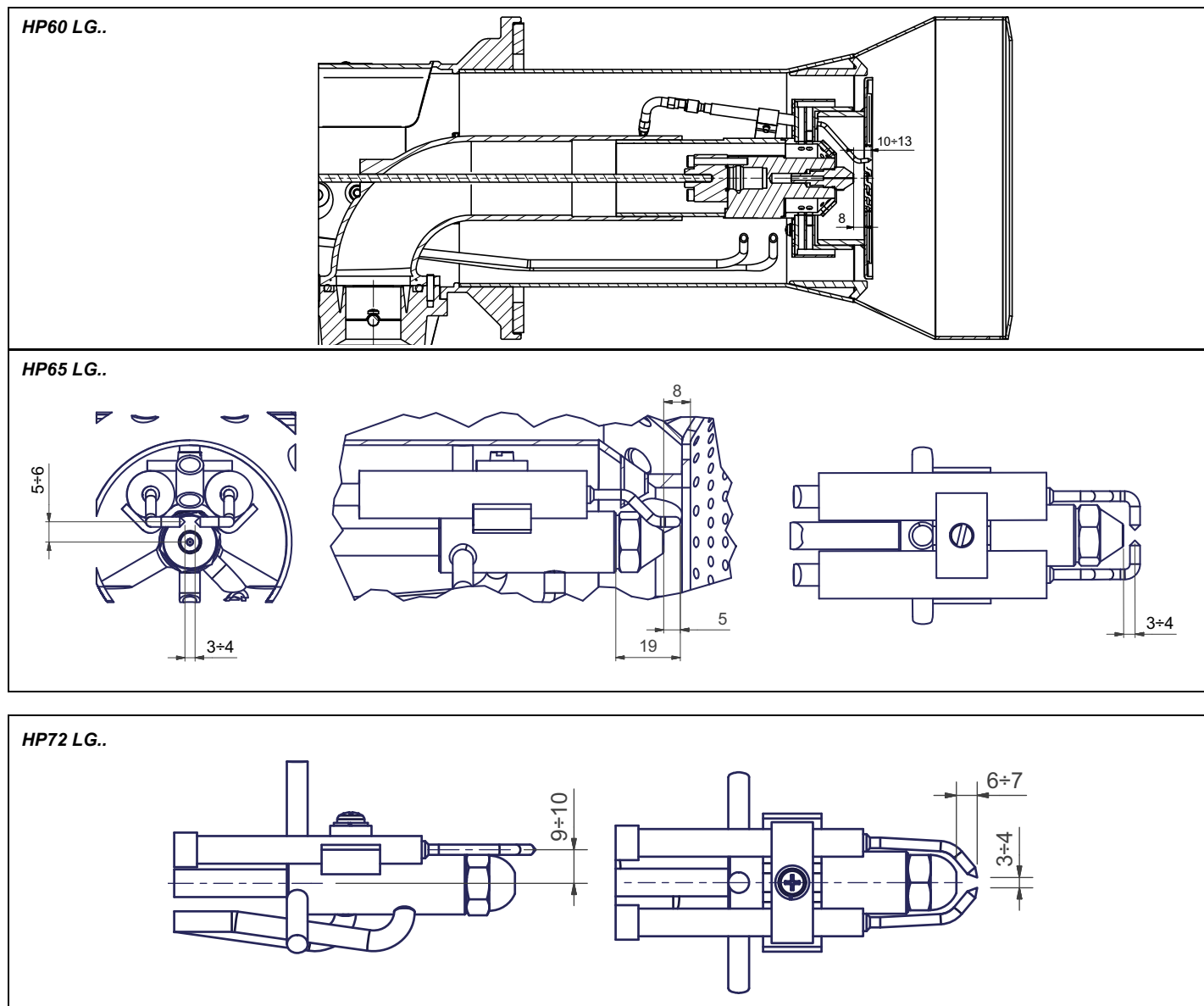
Regolazione posizione degli elettrodi (per bruciatori di GPL)

Importante: eseguire il controllo degli elettrodi di accensione dopo aver smontato la testa di combustione.



ATTENZIONE: per non compromettere il funzionamento del bruciatore, evitare il contatto degli elettrodi di accensione e rilevazione con parti metalliche (testa, boccaglio, ecc). Controllare la posizione degli elettrodi dopo ogni intervento di manutenzione sulla testa di combustione.

Regolare la posizione degli elettrodi e dell'ugello, rispettando le quote indicate in figura.



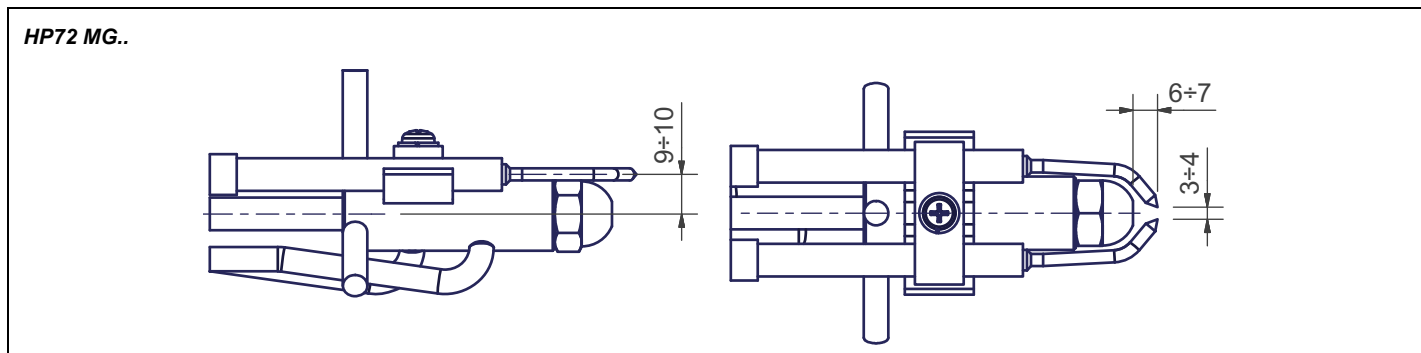
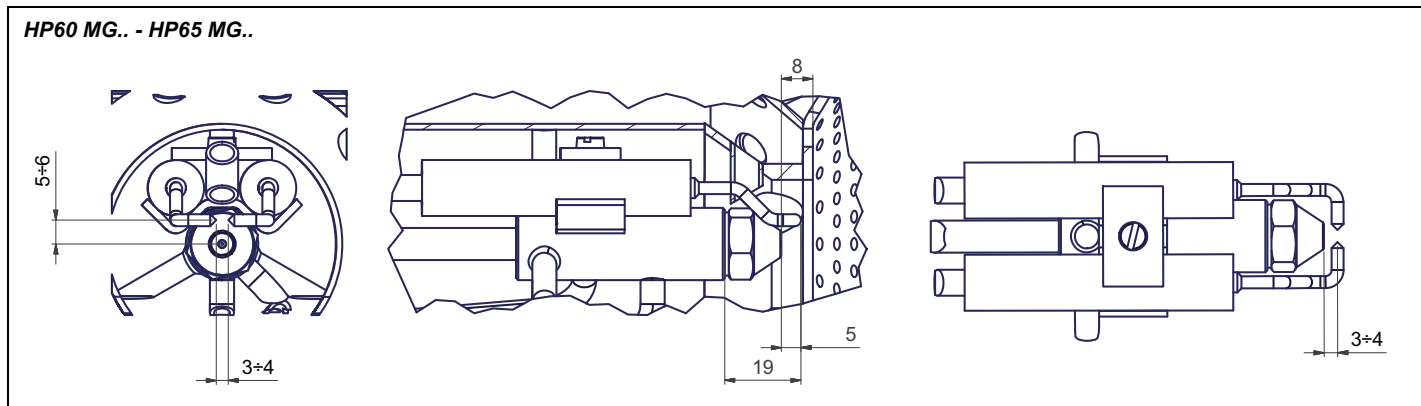
Regolazione posizione degli elettrodi (per bruciatori di gas naturale)

Importante: eseguire il controllo degli elettrodi di accensione dopo aver smontato la testa di combustione.



ATTENZIONE: per non compromettere il funzionamento del bruciatore, evitare il contatto degli elettrodi di accensione e rilevazione con parti metalliche (testa, boccaglio, ecc). Controllare la posizione degli elettrodi dopo ogni intervento di manutenzione sulla testa di combustione.

Regolare la posizione degli elettrodi e dell'ugello, rispettando le quote indicate in figura.



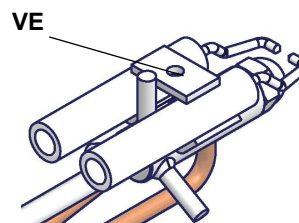
Pulizia/sostituzione degli elettrodi



ATTENZIONE: per non compromettere il funzionamento del bruciatore, evitare il contatto degli elettrodi con parti metalliche (testa, boccaglio, ecc). Controllare la posizione degli elettrodi dopo ogni intervento di manutenzione sulla testa di combustione.

Per pulire/sostituire gli elettrodi, procedere nel modo seguente:

- 1 estrarre la testa di combustione come indicato al paragrafo precedente;
- 2 estrarre il gruppo elettrodi e pulirli;
- 3 per sostituire gli elettrodi, svitare le viti di fissaggio **VE** dei due elettrodi e sfilarli: inserire i nuovi elettrodi e prestare attenzione alle quote indicate in mm nel precedente paragrafo; procedere al rimontaggio seguendo la procedura inversa.



Controllo della corrente di rilevazione

Per controllare la corrente di rilevazione seguire lo schema di figura. Se il segnale è inferiore al valore indicato, verificare la posizione dell'elettrodo di rilevazione o della fotocellula, i contatti elettrici ed eventualmente sostituire l'elettrodo o la fotocellula.

Apparecchiatura di controllo fiamma	Minimo segnale di rilevazione
Siemens LME7...	70 μ A (con fotocellula)

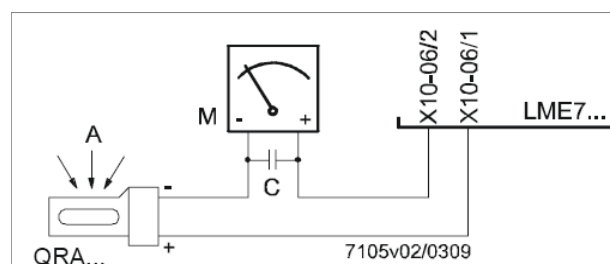


Fig. 6: Rilevazione con fotocellula QRA..

Termine di servizio del bruciatore

- In condizioni ottimali di funzionamento, e con una manutenzione preventiva, la durata di vita del bruciatore può arrivare a 20 anni.
- Alla scadenza del termine di servizio del bruciatore è necessario effettuare una diagnosi tecnica e in caso di necessità, eseguire una riparazione complessiva.
- Lo stato del bruciatore viene considerato al limite se è tecnicamente impossibile continuare a utilizzarlo a causa della non conformità ai requisiti di sicurezza oppure a causa del calo di prestazioni.
- Il proprietario prende la decisione se terminare l'impiego del bruciatore, oppure la sostituzione e lo smaltimento in base allo stato effettivo dell'apparecchio e alle eventuali spese di riparazione.
- L'utilizzo del bruciatore per altri scopi oltre la scadenza dei termini di utilizzo è severamente vietato.

Sonda di rilevazione fiamma

Per pulire/sostituire la fotocellula di rilevazione procedere nel seguente modo:

- 1 togliere tensione all'impianto;
- 2 interrompere l'alimentazione del combustibile;
- 3 estrarre, tirando, la fotocellula dalla sua sede come mostrato in figura;
- 4 pulire il bulbo se sporco, facendo attenzione a non toccarlo con le mani nude;
- 5 se necessario, sostituire il bulbo

reinserire la fotocellula nel suo alloggiamento.



Fermo stagionale

Per spegnere il bruciatore nel periodo di fermo stagionale, procedere nel modo seguente:

- 1 portare l'interruttore generale del bruciatore in posizione 0 (OFF - spento)
- 2 staccare la linea di alimentazione elettrica
- 3 chiudere il rubinetto del combustibile della linea di distribuzione.

Smaltimento del bruciatore

In caso di rottamazione del bruciatore, seguire le procedure previste dalle leggi vigenti sullo smaltimento dei materiali.

SCHEMI ELETTRICI

Consultare gli schemi elettrici allegati.

ATTENZIONE

- 1 - Alimentazione elettrica 230V / 400V 50Hz 3N a.c.
- 2 - Non invertire fase con neutro
- 3 - Assicurare una buona messa a terra del bruciatore

TABELLA PROBLEMI- CAUSE - SOLUZIONI Funzionamento a gas

IL BRUCIATORE NON SI ACCENDE	* Non c'è alimentazione elettrica	* Ripristinare l'alimentazione
	* Interruttore principale aperto	* Chiudere l'interruttore
	* Termostati aperti	* Controllare i set point e i collegamenti dei termostati
	* Set point impostato male o termostato rotto	* Reimpostare o sostituire il termostato
	* Mancanza di pressione del gas	* Ripristinare la pressione
	* Dispositivi di sicurezza aperti (impostazione manuale del termostato di sicurezza, pressostato o altro)	* Ripristinare i dispositivi di sicurezza; attendere che la caldaia raggiunga la temperatura richiesta, quindi controllare la funzionalità dei dispositivi di sicurezza.
	* Fusibili rotti	* Rimpiazzare i fusibili. Controllare la corrente assorbita.
	* Contatti del termico ventilatore aperti (solo per trifase)	* Ripristinare i contatti e controllare la corrente assorbita
PERDITE GAS: BRUCIATORE IN BLOCCO (NO FIAMMA)	* Apparecchiatura controllo fiamma bruciatore in blocco	* Ripristinare e controllare la funzionalità
	* Apparecchiatura controllo fiamma bruciatore danneggiata	* Sostituire l'apparecchiatura controllo fiamma
	* Portata gas troppo bassa	* aumentare la portata * controllare la pulizia del filtro del gas * controllare l'apertura della valvola a farfalla quando il bruciatore parte
	* L'elettrodo di accensione scarica a terra perché sporco o rotto	* Pulire o sostituire l'elettrodo
	* Cattiva regolazione degli elettrodi	* Controllare la posizione gli elettrodi in base ai disegni nel manuale
	* Cavi elettrici di accensione danneggiati	* Sostituire i cavi
BRUCIATORE IN BLOCCO CON PRESENZA DI FIAMMA	* Cavi collegati male al trasformatore o agli elettrodi	* Rifare i collegamenti
	* Trasformatore di accensione danneggiato	* Sostituire il trasformatore
	* Impostazione errata del rilevatore di fiamma	* Regolare nuovamente il rilevatore di fiamma
	* Rilevatore di fiamma danneggiato	* Sostituire il rilevatore di fiamma
	* Cavi o rilevatore di fiamma danneggiati	* Controllare i cavi
	* Apparecchiatura controllo fiamma danneggiata	* Sostituire l'apparecchiatura controllo fiamma
	* Fase e neutro invertiti	* Rifare i collegamenti
	* Manca il collegamento a terra o è danneggiato	* Controllare i collegamenti a terra
solo per LME22 - IL BRUCIATORE ESEGUE LE PROCEDURE SENZA ACCENDERE IL BRUCIATORE	* tensione sul neutro	* Eliminare tensione dal neutro
	* Fiamma troppo piccola (dovuta a poco gas)	* Regolare la portata del gas * Controllare la pulizia del filtro del gas
	* Troppa aria	* Regolare la portata dell'aria
	* Pressostato aria danneggiato o collegato male	* Controllare la funzionalità e i collegamenti del pressostato aria
IL BRUCIATORE VA IN BLOCCO IN MANCANZA PORTATA GAS	* Apparecchiatura controllo fiamma danneggiata	* Sostituire l'apparecchiatura controllo fiamma
	* Le valvole del gas non si aprono	* Controllare la tensione sulle valvole; se necessario, sostituirle o sostituire l'apparecchiatura di controllo fiamma * Controllare che la pressione del gas non sia talmente elevata da non permettere alle valvole di aprirsi
	* Valvole del gas completamente chiuse	* Aprire le valvole
	* Regolatore di pressione troppo chiuso	* Regolarlo
	* Valvola a farfalla troppo chiusa	* Aprire la valvola a farfalla
	* Pressostato di massima aperto (se presente)	* Controllare i collegamenti e la funzionalità
IL BRUCIATORE VA IN BLOCCO E L'APPARECCHIATURA FORNISCE UN CODICE DI BLOCCO "CAUSA GUASTO PRESSOSTATO ARIA"	* Pressostato dell'aria non chiude il contatto normalmente aperto (NA)	* Controllare i collegamenti * Controllare la funzionalità del pressostato
	* Pressostato dell'aria danneggiato (resta in modalità stand-by o impostato male)	* Controllare la funzionalità del pressostato aria * Resettare pressostato aria
	* Collegamenti errati del pressostato aria	* Controllare i collegamenti
	* Ventilatore aria danneggiato	* Sostituire il motore
	* Manca l'alimentazione	* Resettare l'alimentazione elettrica
IL BRUCIATORE VA IN BLOCCO DURANTE IL NORMALE FUNZIONAMENTO	* Serranda dell'aria troppo chiusa	* Regolare la posizione della serranda dell'aria
	* Circuito rilevatore fiamma interrotto	* Controllare i collegamenti
		* Controllare la fotocellula
	* Apparecchiatura controllo fiamma danneggiata	* Sostituire l'apparecchiatura controllo fiamma
ALL'AVVIAMENTO, IL BRUCIATORE APRE PER UN PO' LE VALVOLE E RIPETE IL CICLO DI PRE-VENTILAZIONE DALL'INIZIO	* Pressostato di massima danneggiato o impostato male	* Resettare il pressostato o sostituirlo
	* Pressostato gas impostato male	* Resettare il pressostato gas
	* Filtro gas sporco	* Pulire il filtro gas
IL BRUCIATORE SI FERMA DURANTE IL FUNZIONAMENTO SENZA NESSUNA COMMUTAZIONE DEI TERMOSTATI	* Regolatore gas troppo basso o danneggiato	* Resettare o sostituire il regolatore
	* Contatti aperti del termico ventilatore	* Ripristinare i contatti e controllare i valori * Controllare la corrente di assorbimento
MOTORE VENTILATORE NON PARTE	* Avvolgimento interno del motore rotto	* Sostituire l'avvolgimento o il motore completo
	* Teleruttore del motore ventilatore rotto	* Sostituire il teleruttore
	* Fusibili rotti (solo trifase)	* Sostituire i fusibili e controllare la corrente di assorbimento
IL BRUCIATORE NON COMMUTA IN ALTA FIAMMA	* Il termostato di alta-bassa fiamma è impostato male o danneggiato	* Resettare o sostituire il termostato
	* Camma servocomando impostata male	* Resettare camma servocomando
solo vers. meccanica - QUALCHE VOLTA IL SERVOCOMANDO RUOTA NELLA DIREZIONE SBAGLIATA	* Condensatore del servocomando danneggiato	* Sostituire il condensatore
ALIMENTAZIONE FASE-FASE O PRESENZA DI TENSIONE SUL NEUTRO*	* Si accende e va in blocco	* In questi casi inserire un circuito RC (ns cod. 2531003)

TABELLA PROBLEMI- CAUSE - SOLUZIONI Funzionamento a gasolio

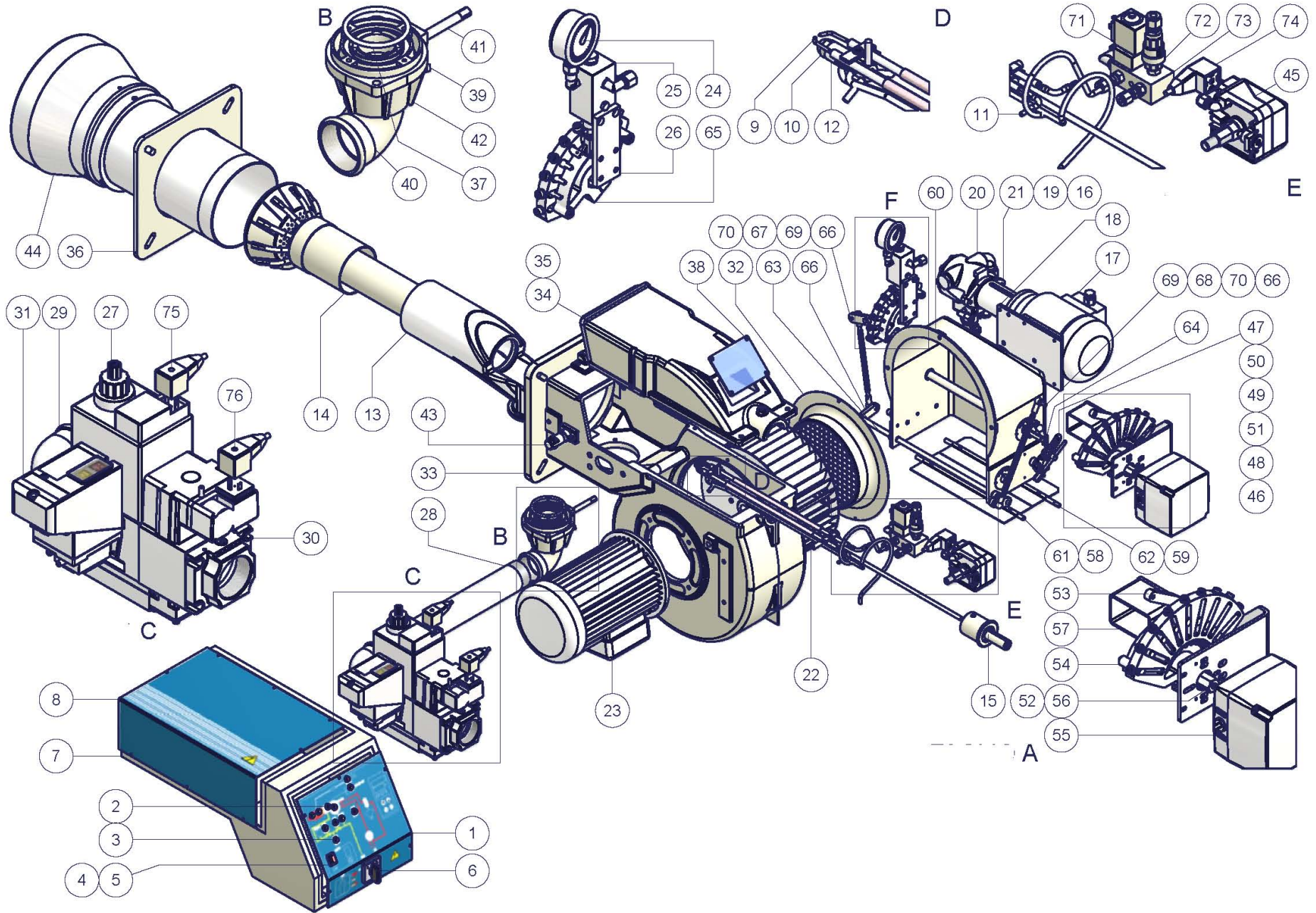
IL BRUCIATORE NON ACCENDE	* manca l'alimentazione elettrica	* attendere che l'alimentazione elettrica venga ripristinata
	* Interruttore principale aperto	* chiudere l'interruttore
	* Termostati aperti	* controllare i set point e i collegamenti dei termostati
	* Set-point impostato male o termostato rotto	* impostare o sostituire il termostato
	* mancanza pressione gas	* ripristinare pressione gas
	* Dispositivi di sicurezza (termostato sicurezza a riarmo manuale o presso stato ecc.) aperti	* Ripristinare i dispositivi di sicurezza; attendere che la caldaia arrivi in temperatura, quindi controllare il funzionamento dei dispositivi di sicurezza.
	* Fusibili rotti	* Sostituire i fusibili. Controllare l'assorbimento di corrente
	* Contatti termico ventilatore aperti (solo per trifase)	* Ripristinare i contatti e controllare l'assorbimento di corrente
	* Apparecchiatura controllo fiamma in blocco	* Fare reset e controllare il funzionamento
	* Apparecchiatura controllo fiamma danneggiata	* Sostituire l'apparecchiatura
IL BRUCIATORE VA IN BLOCCO IN PRESENZA DI FIAMMA	* Sensore fiamma sporco o danneggiato	* Pulire o sostituire il sensore fiamma
	* Apparecchiatura controllo fiamma danneggiata	* Sostituire l'apparecchiatura
	* Fiamma fumosa	* Ripristinare la portata di aria comburente * controllare l'ugello o, se necessario, sostituirlo * controllare la pulizia della testa di combustione * controllare aspirazione del camino * controllare la pulizia della caldaia
	* testa di combustione sporca	* pulire la testa di combustione
IL BRUCIATORE VA IN BLOCCO SENZA PORTATA COMBUSTIBILE	* Mancanza di combustibile	* riempire il serbatoio
	* giunto pompa rotto	* controllare pressione pompa
	* pompa danneggiata	* controllare aspirazione pompa * sostituire la pompa
	* aria compressa (o vapore) troppo elevata	* ridurre pressione aria compressa (o vapore)
	* regolatore olio non aperto abbastanza	* controllare pressione aria * controllare posizione servocomando
	* Elettrovalvola olio non alimentata	* controllare il cablaggio o rimpiazzare la valvola
	* motore ventilatore non efficiente	* regolare o sostituire il motore
	* rotazione errata del motore ventilatore o motore pompa	* cambiare rotazione
	* ugello ostruito	* pulire o rimpiazzare l'ugello
	* valvola di non ritorno in cisterna bloccata o in perdita	* controllare o sostituire la valvola
	* filtro olio sporco	* pulire il filtro
	* filtro pompa sporco	* pulire o sostituire l'elettrovalvola
BRUCIATORE IN BLOCCO CON PORTATA COMBUSTIBILE (SENZA FIAMMA)	* pressione olio troppo bassa	* ripristinare pressione olio
	* ugello sporco o danneggiato	* pulire o sostituire l'ugello
	* acqua in cisterna	* eliminare l'acqua dalla cisterna * pulire i filtri
	* aspirazione troppo elevata	* controllare l'aspirazione prima della pompa. Se necessario, sostituire i filtri.
	* Elettrodi accensione a massa perché sporchi o danneggiati	* pulire o sostituire gli elettrodi
	* Elettrodi accensione regolati male	* controllare la posizione degli elettrodi, facendo riferimento al manuale istruzioni
	* cavi danneggiati	* sostituire i cavi
	* cavi collegati male o sul trasformatore o sugli elettrodi	* migliorare l'installazione
	* trasformatore di accensione danneggiato	* sostituire il trasformatore
	POMPA TROPPO RUMOROSA	* aspirazione troppo elevata (oltre 0,35 bar) (filtri sporchi, controllare che la valvola in cisterna non sia bloccata, ecc...)
* flessibili danneggiati		* sostituire i flessibili
* infiltrazione aria nella tubazione		* eliminare qualsiasi infiltrazione
* tubazione troppo lunga o troppo stretta		* aumentare il diametro della linea
IL BRUCIATORE RIMBOMBA VIBRA QUANDO VA IN ALTA FIAMMA	* Il bruciatore è troppo fiacco	* regolare rapporto aria-olio
	* il cassetto aria non è regolato bene	* controllare la posizione del cassetto
	* la fiamma si stacca	* controllare la posizione della testa
RESIDUI DI FUMO NEL FOCOLARE DELLA CALDAIA	* la fiamma si stacca dal diffusore	* controllare la posizione dell'ugello rispetto alla testa
	* ugello sporco	* pulire l'ugello
	* il getto d'olio lambisce la testa di combustione	* controllare la posizione dell'ugello rispetto alla testa
FIAMMA IRREGOLARE O SCINTILLANTE	* angolo di poverizzazione troppo ampio	* ridurre l'angolo del getto
	* pressione olio all'ugello troppo bassa	* reimpostare la pressione dell'olio
	* portata aria troppo elevata	* regolare portata aria
	* olio sporco	* controllare i filtri
	* acqua nel combustibile	* eliminare tutta l'acqua
	* deposito di olio sulla testa di combustione	* cassetto troppo indietro * l'ugello non sporge dal centro del foro del diffusore aria* fiamma strappata
IL BRUCIATORE ACCENDE, MA LA FIAMMA STRAPPA	* ugello sporco o danneggiato	* pulire o, se necessario, sostituire l'ugello
	* cassetto non posizionato correttamente	* spostare in avanti o all'indietro
	* ugello troppo avanti rispetto al foro centrale del diffusore	* spostare l'ugello all'indietro, rispetto al diffusore
	* pressione olio o pressione aria, all'ugello, troppo bassa	* aumentare la pressione dell'olio o dell'aria
FIAMMA IRREGOLARE O FUMOSA	* serranda aria troppo aperta	* ridurre l'apertura della serranda dell'aria
	* non c'è abbastanza aria comburente	* regolare la portata di aria
	* ugello sporco o danneggiato	* pulire o, se necessario, sostituire l'ugello
	* fiamma troppo grande in camera di combustione o angolo poverizzazione dell'ugello errato	* controllare l'abbinamento bruciatore/caldaia * cambiare l'ugello con uno più appropriato
	* angolo poverizzazione dell'ugello errato (fiamma troppo lunga o troppo larga)	* cambiare l'ugello
	* caldaia sporca	* pulire la caldaia
	* non c'è abbastanza aspirazione al camino	* controllare la pulizia del camino o le dimensioni
	* pressione all'ugello troppo bassa	* regolare la pressione dell'olio
	* ingresso aria comburente sporco	* pulire ingresso aria
	* fiamma troppo piccola rispetto al volume del focolare	* sostituire l'ugello o regolare la pressione pompa
TEMPERATURA FUMI TROPPO ELEVATA	* caldaia sporca	* pulire la caldaia
	* portata olio troppo elevata	* regolare la pressione dell'olio o sostituire l'ugello

ESPLOSO DEL BRUCIATORE

ELEM	DESCRIZIONE	ELEM	DESCRIZIONE
------	-------------	------	-------------

1	FRONTALE QUADRO
2	LAMPADA
3	LAMPADA
4	PULSANTE SBLOCCO FIAMMA
5	PROTEZIONE
6	COMMUTATORE
7	QUADRO ELETTRICO
8	COPERCHIO
9	ELETTRODO DI ACCENSIONE
10	UGELLO
11	CAVO DI ACCENSIONE
12	PORTAUGELLO
13	COLLETTORE GAS
14	TESTA DI COMBUSTIONE STANDARD
15	GHIERA
16	RETE
17	MOTORE
18	PIASTRA
19	GIUNTO COMPLETO
20	POMPA
21	SUPPORTO
22	VENTOLA
23	MOTORE
24	MANOMETRO
25	REGOLATORE DI PRESSIONE
26	STAFFA
27	GRUPPO VALVOLE GAS CON STABILIZZATORE
28	TUBO GAS FILETTATO
29	GOMITO
30	FLANGIA
31	CONTROLLO DI TENUTA VALVOLE GAS
32	CONVOGLIATORE ARIA
33	COCLEA
34	CALOTTA
35	PROLUNGA CALOTTA
36	GUARNIZIONE GENERATORE
37	O RING
38	VETRINO

39	PRESA DI PRESSIONE
40	GOMITO
41	ALBERO FARFALLA
42	VALVOLA FARFALLA GAS
43	FOTOCPELLULA
44	BOCCAGLIO STANDARD
45	PRESSOSTATO ARIA
46	VITE
47	CAMMA
48	LEVERAGGIO
49	TIRANTE
50	SNODO
51	SNODO
52	BUSSOLA
53	LEVERAGGIO
54	SETTORE VARIABILE
55	SERVOCOMANDO
56	ALBERO SERVOCOMANDO
57	SQUADRETTA
58	SERRANDA ARIA CASSETTO
59	SERRANDA ARIA CASSETTO
60	CASSETTO DI ASPIRAZIONE
61	ALBERO SERRANDA
62	ALBERO SERRANDA
63	ALBERO FARFALLA
64	ALBERO SETTORE
65	SETTORE VARIABILE
66	LEVERAGGIO
67	TIRANTE
68	TIRANTE
69	SNODO
70	SNODO
71	ELETTROVALVOLA OLIO
72	VALVOLA DI NON RITORNO
73	DISTRIBUTORE OLIO
74	CONNETTORE
75	CONNETTORE
76	CONNETTORE





C.I.B. UNIGAS S.p.A.
Via L.Galvani, 9 - 35011 Campodarsego (PD) - ITALY
Tel. +39 049 9200944 - Fax +39 049 9200945/9201269
web site: www.cibunigas.it - e-mail: cibunigas@cibunigas.it

Le informazioni contenute in questo documento sono puramente indicative e non impegnative. L'azienda si riserva la facoltà di apportare modifiche senza obbligo di preavviso.

LME73.000Ax + PME73.831AxBC LME73.831AxBC



Manuale per Service

M12921AB Rel.1.2 02/2016

CARATTERISTICHE GENERALI

Siemens LME73... è un dispositivo per comandare bruciatori di gas, gasolio o di olio combustibile comprendente:

Unità centrale LME73.000. all'interno del quadro elettrico;

Scheda di memoria PME73.831BC alloggiata nel dispositivo LME73;

La serie LME73... si compone di una unità base (hardware) LME73.000 e da una unità (software) con EEPROM PME73.831AxBC dove è residente il programma di funzionamento.

E' disponibile, inoltre, il dispositivo LME73.831AxBC senza unità EEPROM con il programma di funzionamento (software) già installato nell'LME73.

LME73... è un'apparecchiatura di controllo fiamma a microprocessore, per il controllo e la supervisione di bruciatori ad aria soffiata di taglia medio/alta.

LME73... viene impiegata per l'avvio e la supervisione di bruciatori di gas bistadio / progressivo, modulante con funzionamento intermittente .

La fiamma viene rilevata da elettrodo di rilevazione o da sonda UV del tipo QRA2..., QRA4.U o QRA10....

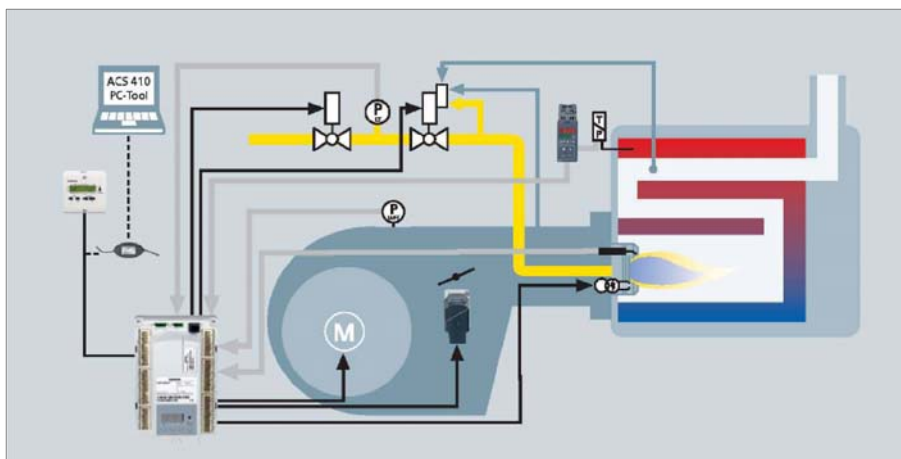
LME73... integra le seguenti funzioni:

- controllo bruciatore
- BCI (interfaccia utente)
- Controllo di un servocomando
- Pulsante di sblocco (pulsante Info)
- LED di segnalazione a 3 colori, per indicare lo stadio di funzionamento o le notifiche di avaria
- display a 3 cifre per 7 segmenti per informazioni utili all'assistenza, codici di blocco o codici fasi di funzionamento
- interfaccia per modulo programma

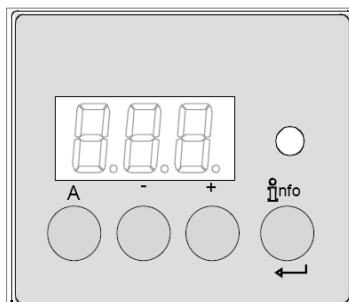
I vari livelli di parametri sono protetti da password per evitare accessi non autorizzati. Le impostazioni di base, per l'utente, non sono protette da password.




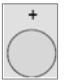

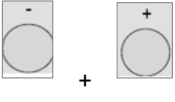
Elenco delle funzioni:

- rilevazione cadute tensione
- possibilità di sblocco da remoto
- gestione segnali digitali
- diagnostica con LED multicolore
- controllo pressione aria tramite pressostato durante l'avvio e il funzionamento (gas)
- limitato numero di ripetizioni ciclo avviamento
- funzionamento intermittente: stop/riavvio controllato, dopo 24 ore di funzionamento continuo
- BCI
- visualizzazione sequenze del programma



Interfaccia utente :



	<p>Pulsante A</p> <ul style="list-style-type: none"> - visualizza potenza impostata - In posizione di blocco: valore di potenza al momento dell'avaria
	<p>Pulsante Info e Enter</p> <ul style="list-style-type: none"> - Reset in caso di avaria
	<p>Pulsante -</p> <ul style="list-style-type: none"> - visualizza corrente segnale di fiamma 2 o fasi - in fase di blocco: fase MMI nel momento di guasto
	<p>Pulsante +</p> <ul style="list-style-type: none"> - visualizza corrente segnale di fiamma 1 o fasi - in fase di blocco: fase MMI nel momento di guasto
	<p>LED segnalazione multicolore</p> <ul style="list-style-type: none"> - fare riferimento al paragrafo "Codici lampeggi"
	<p>Pulsanti + e - : funzione uscita (premere + e - simultaneamente)</p> <ul style="list-style-type: none"> - non viene inserito nessun valore - livello menù SU - tenere premuto per più di un secondo per backup / funzione ripristino

Primo avviamento con scheda di memoria PME o sostituzione della scheda PME :

Primo avviamento:

- 1) inserire una nuova PME
- 2) dare corrente al bruciatore; il display sulla LME mostra alternativamente "rst" e "PrC"



- 3) premere il tasto INFO per più di 3 secondi; il display mostra "run"; verranno copiati i parametri all'interno della LME

- 4) alla fine del processo il display mostra alternativamente "End" e "rst"; dopo circa 2 minuti l'apparecchiatura si pone in blocco Loc 138



- 5) resettare l'apparecchiatura premendo una volta il pulsante INFO (per meno di 3 secondi)
- Ora l'apparecchiatura LME mostra sul display "OFF"; il bruciatore è pronto per essere avviato.



Sostituzione:

- 1) spegnere il bruciatore, estrarre la PME esistente e inserire quella nuova
- 2) ripetere la procedura di primo avviamento dal punto 2

Lista delle fasi nel display a bordo LME :

Numero fase nel display a 7 segmenti	LED	Funzione
Standby		
OFF	Off	Standby, attesa richiesta calore
P08	Off	alimentazione ON / test phase (es. Test rilevatore fiamma)
Avvio		
P21	giallo	Valvole sicurezza ON, test pressostato aria/ POC test (timeout / locking)
P22	giallo	Motore ventilatore ON / test pressostato aria / settling time
P24	giallo	Servocomando apre in posizione preventilazione
P30	giallo	preventilazione
P36	giallo	Servocomando chiude in posizione accensione/bassa fiamma
P38	giallo lampeggiante	Tempo di pre-accensione
P40	giallo lampeggiante	1° tempo di sicurezza (TSA1) / trasformatore accensione ON
P42	verde	tempo di sicurezza (trasformatore accensione OFF), controllo fiamma
P44	verde	Intervallo: fine tempo di sicurezza e valvola combustibile 1 (V1) ON Intervallo: fine tempo di sicurezza e rilascio load controller (LR)
P50	verde	2° tempo di sicurezza (TSA2)
P54	verde	P259.01: Servocomando apre verso > bassa fiamma
P54	verde	P260: Servocomando chiude in bassa fiamma
oP1	verde	Intervallo fino al rilascio del load controller target (ingresso analogico o a 3-punti)
Funzionamento		
oP	verde	funzionamento, modulazione
Spegnimento		
P10	giallo	Spegnimento, servocomando apre in posizione CLOSE (home run)
P72	giallo	servocomando apre in posizione alta fiamma / fine funzionamento
P74	giallo	postventilazione
Controllo tenuta		
P80	giallo	Test evacuazione spazio tra le due valvole gas
P81	giallo	Tempo di controllo valvola combustibile 1
P82	giallo	Test riempimento tra le due valvole gas
P83	giallo	Tempo di controllo valvola combustibile 2
Fasi attesa (start prevention)		
P01	rosso / giallo lampeggiante	sottotensione
P02	giallo	Catena sicurezze aperta
P04	Red / verde lampeggiante	Luce estranea ad avvio bruciatore (timeout / blocco dopo 30 s)
P90	giallo	Pressostato di minima pressione gas aperto
Blocco		
LOC	rosso	Fase di blocco

Funzionamento :

	Il pulsante di reset (info button) (EK) è un elemento chiave per il reset di LME73 e per l'attivazione/disattivazione delle funzioni di diagnostica
	I LED multicolor visualizzano la diagnostica.

Il pulsante di reset (EK) e i LED di segnalazione sono posizionati sul pannello di controllo. Ci sono due possibilità per la visualizzazione della diagnostica.

1. Visualizzazione diagnostica: indicazione dello stato di funzionamento o causa avaria
2. Diagnostica: tramite display a bordo apparecchiatura o display AZL2...

Visualizzazione diagnostica su display a bordo a apparecchiatura:

In condizioni di normale funzionamento, le varie fasi sono indicate con i seguenti codici:

Tabella codifica colore per il LED multicolor :

Stato	Codice colore	Colore
Tempo di attesa (tw), altri tempi di attesa	○.....	OFF
Fase accensione, accensione controllata	●○●○●○●○●○●○●○	Giallo lampeggiante
Funzionamento, fiamma o.k.	□.....	verde
Funzionamento, fiamma non o.k.	□○□○□○□○□○□○□○	verde lampeggiante
Luce estranea ad avvio bruciatore	□▲□▲□▲□▲□▲□▲	verde-rosso
Sottotensione	●▲●▲●▲●▲●▲●▲●▲	giallo- rosso
Avaria, allarme	▲.....	rosso
Codice errore (referirsi alla «Tabella codici errore»)	▲○▲○▲○▲○▲○▲○▲○	rosso lampeggiante
Interfaccia diagnostica	▲▲▲▲▲▲▲▲▲▲▲▲▲▲	rosso lampeggiante
Richiesta calore	●.....	giallo
Richiesta calore	●○●○●○●○●○●○●○●○	giallo

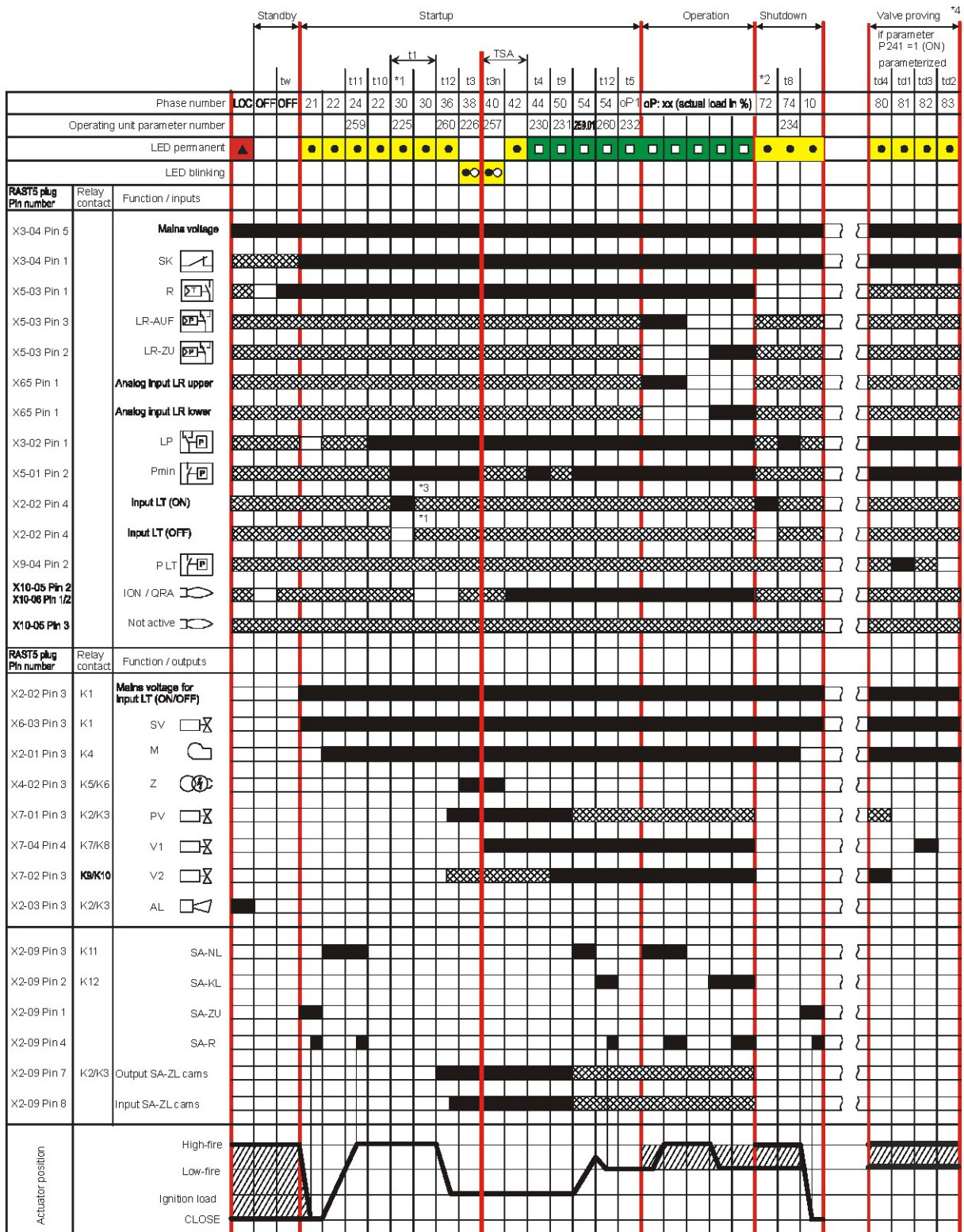
Legenda

.....	Led acceso o spento continuo
○	Led spento
▲	Led rosso
●	Led giallo
□	Led verde

Sequenza di funzionamento:

Versione 1:

- Punto di accensione < bassa fiamma
- Preventilazione in alta fiamma
- Parametro 515 = 1 (parametro 259.01 > 0 secondi)

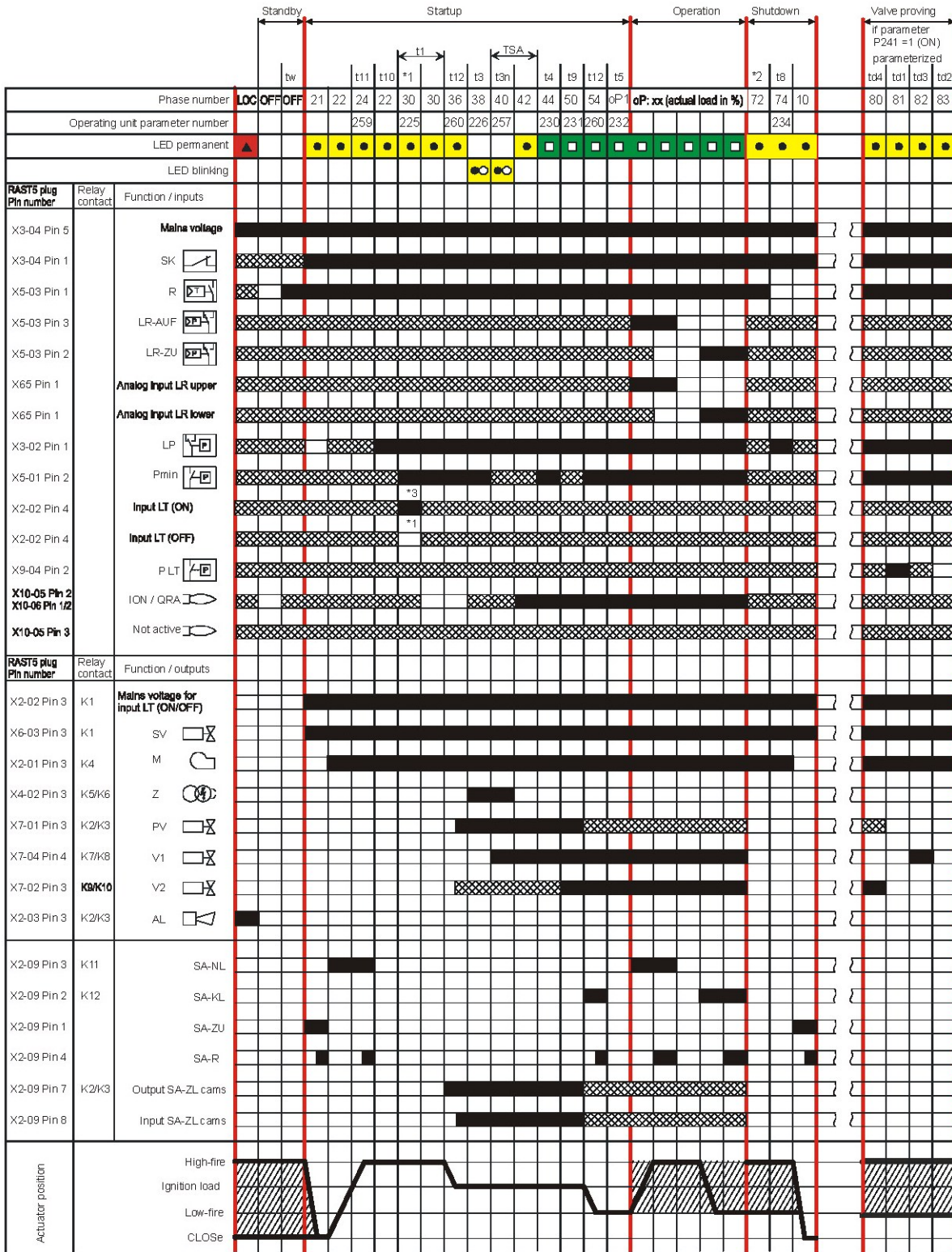


7114d05e0112

Sequenza funzionamento:

Versione 2:

- punto di accensione > bassa fiamma
- Preventilazione in alta fiamma
- Parametro 515 = 1 (parametro 259.01 = 0 secondi)



7114d04e/0112

Numero fase	Funzione
LOC	Fase di blocco
OFF	Standby, in attesa di richiesta di calore
oP	Funzionamento, modulazione
oP1	Intervallo fino al rilascio del load controller target (ingresso analogico o a 3-punti)
01	Sotto tensione
02	Catena di sicurezza aperta
04	Luce estranea durante fase di startup del bruciatore (timeout/blocco dopo 30 secondi)
08	Alimentazione ON / test phase (es. Test rilevatore fiamma)
10	Spegnimento, servocomando apre nella posizione di CLOSE
21	Valvola di sicurezza ON, pressostato aria OFF, servocomando apre nella posizione di CLOSE
22	Parte 1: motore ventilatore ON Parte 2: tempo specifico (t10) pressostato aria (LP) Messaggio (timeout) stabilizzazione pressostato aria
24	Servocomando apre in posizione di preventilazione
30	Parte 1: tempo di preventilazione (t1) senza test di luce estranea Test controllo tenuta dopo alimentazione ON, blocco Parte 2: tempo di preventilazione (t1) senza test di luce estranea
36	Servocomando chiude in posizione di accensione
38	Pre-accensione (t3)
40	Tempo di post-accensione (t3n), parametro 257 + 0.3 secondi
42	Rilevazione fiamma
44	Intervallo (t4): fine del tempo di sicurezza (TSA) e valvola 2 ON
50	tempo di sicurezza (t9)
54	Parametro 259.01: Servocomando apre in > bassa fiamma
	Parametro 260: Servocomando chiude in bassa fiamma
72	Fine del funzionamento, controlla se deve essere effettuato il controllo tenuta (LT)
74	Post-ventilazione (t8)
80	Test di evacuazione (td4)
81	Test (td1) valvola 1 (V1)
82	Test di riempimento (td3)
83	Test (td2) valvola 2 (V2)
90	"Pressostato di minima pressione gas" aperto. Spegnimento di sicurezza
*1	Il controllo di tenuta viene effettuato quando:
	- parametro 241.00 = 1 e parametro 241.02 = 1, oppure
	- parametro 241.00 = 1 e parametro 241.01 = 0
*2	Il controllo di tenuta viene effettuato quando:
	- parametro 241.00 = 1 e parametro 241.02 = 1, oppure
	- parametro 241.00 = 1 e parametro 241.01 = 1
*3	Il controllo di tenuta (LT) non verrà effettuato

Tabella codice errore :

Codice lampeggio rosso in caso di avaria	Causa possibile
2 x lampeggi	Mancanza fiamma alla fine del tempo di sicurezza (TSA)
	<ul style="list-style-type: none"> - rilevatore fiamma difettoso o sporco - valvole gas difettose o sporche - errata regolazione del bruciatore, mancanza combustibile - dispositivo di accensione difettoso
3 x lampeggi	Pressostato aria (LP) difettoso <ul style="list-style-type: none"> - Mancanza pressione aria dopo tempo specifico (t10) - Pressostato aria (LP) incollato in posizione di no-carico
4 x lampeggi	Luce estranea ad avvio bruciatore
5 x lampeggi	Time supervision air pressure switch (LP) <ul style="list-style-type: none"> - Pressostato aria (LP) incollato in posizione di lavoro
6 x lampeggi	Posizione servocomando non raggiunta <ul style="list-style-type: none"> - servocomando difettoso - errata regolazione della camma - servocomando difettoso or bloccato - falsa connessione - errata regolazione
7 x lampeggi	Troppe perdite di fiamma durante il funzionamento (limitazione delle ripetizioni) <ul style="list-style-type: none"> - rilevatore fiamma difettoso o sporco - valvole gas difettose o sporche - errata regolazione del bruciatore
8 x lampeggi	libero
9 x lampeggi	libero
10 x lampeggi	Errore cablaggio o errore interno, contatti di uscita, altri errori
12 x lampeggi	Controllo tenuta (LT) <ul style="list-style-type: none"> - perdita valvola combustibile 1 (V1)
13 x lampeggi	Controllo tenuta (LT) <ul style="list-style-type: none"> - perdita valvola combustibile 2 (V2)
14 x lampeggi	Errore in connessione con controllo chiusura valvola POC
15 x lampeggi	Codice errore ≥ 15 Codice errore 22: Errore o catena sicurezze (SL)


Durante il tempo in cui l'apparecchiatura è in blocco, le uscite di controllo vengono disattivate:

- bruciatore si spegne e rimane spento

- indicazione di avaria esterno (AL) al morsetto X2-03, pin 3 sempre acceso

Resetando l'apparecchiatura, la diagnostica della causa di guasto sparisce e il bruciatore può essere acceso nuovamente.

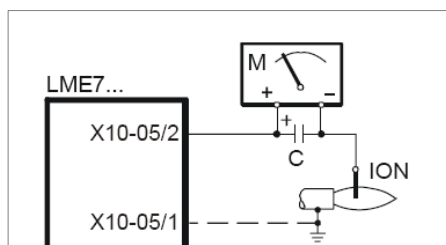


Premere il pulsante di reset  per circa 1 secondo (e meno di 3 secondi).

Rilevazione fiamma – elettrodo di rilevazione :

Corrente di corto-circuito	Max. AC 1 mA
Corrente rilevatore richiesta	Min. DC 2 μ A, display approx. 45 %
Corrente rilevatore possibile	Max. DC 3 μ A, display approx. 100 %
Lunghezza cavo rilevazione permessa (posato separatamente)	30 m (fase-terra 100 pF/m)

Circuito di misura



Legenda

C - condensatore elettrolitico 100...470 μ F; DC 10...25 V

ION - sonda ionizzazione

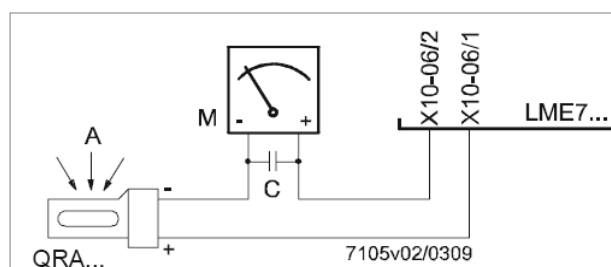
M - microamperometro Ri max. 5,000 Ω

Rilevazione fiamma – sonda UV :

Valori di soglia quando la fiamma è supervisionata dalla sonda QRA...

- Start prevention (luce estranea)	Intensità (parametro 954) approx. 12 %
- funzionamento	Intensità (parametro 954) approx. 13 %
Tensione di lavoro	AC 280 V \pm 15 %
Frequenza di linea	50...60 Hz \pm 6 %
Corrente rilevatore richiesta	Min. 70 μ A
Corrente rilevatore possibile	
- funzionamento	Max. 700 μ A
Lunghezza cavo rilevazione permessa	
- cavo normale, posato separatamente ¹⁾	Max. 100 m

¹⁾ cavo multipolare non permesso



Legenda

A esposizione alla luce

C condensatore elettrolitico 100...470 μ F; DC 10...25 V

M microamperometro Ri max. 5,000 Ω

Attenzione!

L'ingresso della QRA... non è a prova di corto-circuito!

Corto-circuiti di X10-06/2 verso terra possono distruggere l'ingresso della QRA...

Non è permesso l'utilizzo contemporaneo di QRA e elettrodo di rilevazione.

Per controllare l'usura del tubo UV, LME7... deve sempre essere collegata all'alimentazione.

Controllo di tenuta valvole gas :

Il controllo di tenuta dipende dal collegamento sul connettore X2-02 "pressostato gas controllo perdite ON / OFF" contatto NO controllo di tenuta ON, contatto NC controllo di tenuta OFF.

Quando viene rilevata una perdita dalle valvole gas, durante le fasi di controllo tenuta, la funzione "controllo tenuta" assicura che le valvole non si aprano e che l'accensione non sia abilitata. Si ha quindi un blocco.

Controllo tenuta con pressostato (P LT)

Step 1: fase 80 td4 – Svuotamento dello spazio di test

La valvola gas (lato bruciatore) viene aperta per portare lo spazio di test (tra le due valvole) alla pressione atmosferica.

Step 2: fase 81 td1 – Test pressione atmosferica, tempo di rilevamento della pressione atmosferica

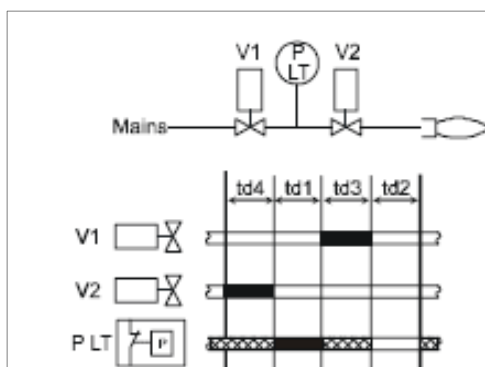
Quando il gas viene chiuso, la pressione nello spazio di test non deve superare un certo valore impostato sul pressostato (P LT connettore X9-04).

Step 3: fase 82 td3 Riempimento dello spazio di test

La valvola gas (lato alimentazione) si apre per riempire lo spazio di test tra le due valvole.

Step 4: fase 83 td2 – Test pressione gas, tempo di rilevamento della pressione gas nello spazio di test tra le valvole

Quando le valvole si chiudono, la pressione del gas nello spazio di test non deve scendere sotto un certo valore impostato sul pressostato (P LT connettore X9-04).



Controllo tenuta con pressostato separato

Legenda

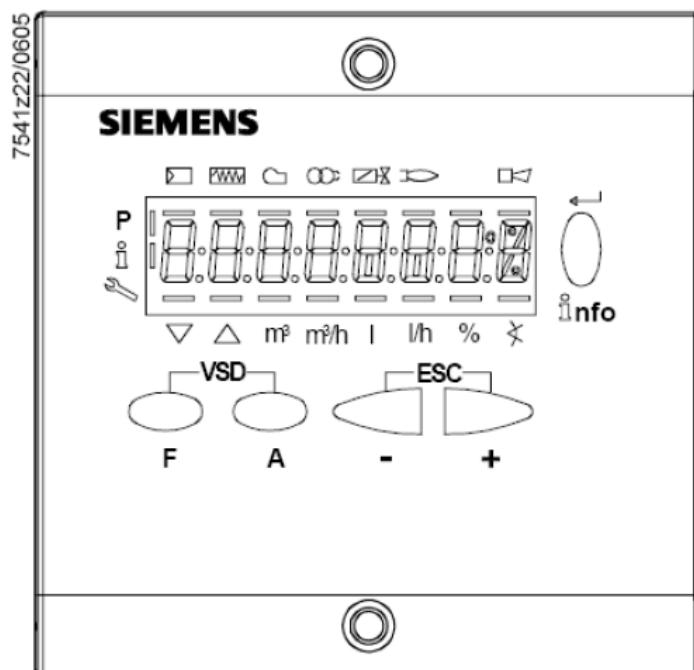
td1	Test pressione atmosferica
td2	Test pressione gas
td3	Riempimento spazio di test
td4	Svuotamento spazio di test
V...	Valvola combustibile
P LT	Pressostato controllo di tenuta valvole gas
	ingresso / uscita segnale 1 (ON)
	ingresso / uscita segnale 0 (OFF)
	ingresso segnale permesso 1 (ON) or 0 (OFF)

No.	Parametro
242	Controllo tenuta: Svuotamento spazio di test
243	Controllo tenuta: tempo di Test pressione atmosferica
244	Controllo tenuta: Riempimento spazio di test
245	Controllo tenuta: tempo di Test pressione gas

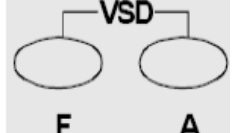
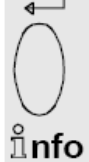
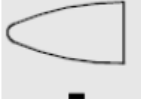

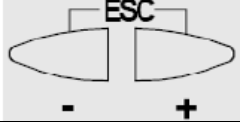
Istruzioni controllo modifica via AZL2x :

Display AZL23.. o AZL21.. a disposizione del Service per la configurazione/modifica parametri.

Il display AZL23 si presenta in questo modo :

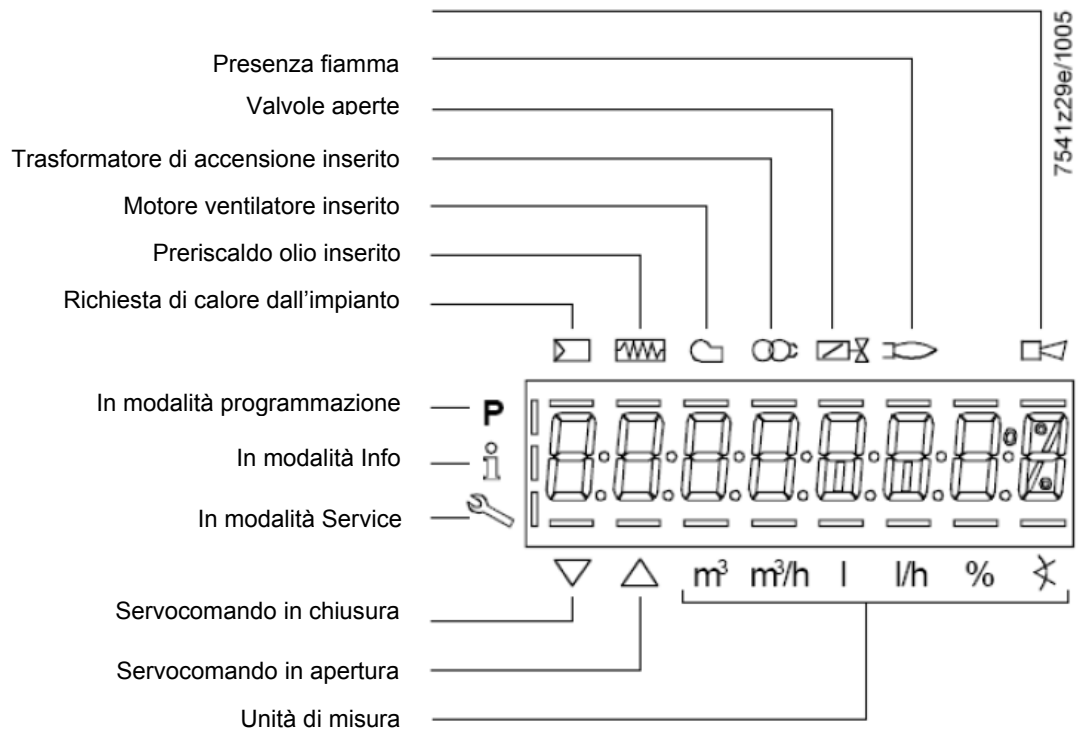


Dove i pulsanti hanno le seguenti funzioni :

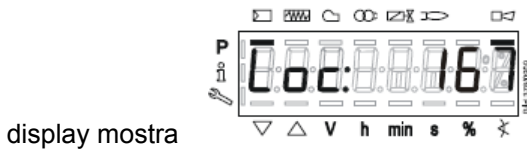
	<p>Pulsanti F e A Premendo contemporaneamente i due pulsanti sul display compare la scritta code e inserendo la password opportuna si entra in configurazione Service o OEM</p>
	<p>Pulsanti info e enter Serve per navigare nei menù Info e Service Serve in modalita configurazione come enter Serve durante il funzionamento bruciatore come pulsante di Reset Serve per andare ad un livello inferiore nei menù</p>
	<p>Pulsante - Serve per andare ad un livello parametri inferiore Serve per diminuire un valore</p>
	<p>Pulsante + Serve per andare ad un livello parametri superiore Serve per aumentare un valore</p>
	<p>Pulsanti + e - = ESC Premendo contemporaneamente i due pulsanti si va al livello inferiore di menù</p>

Il display invece può mostrare questi dati :

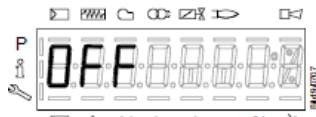
Blocco + codici di blocco



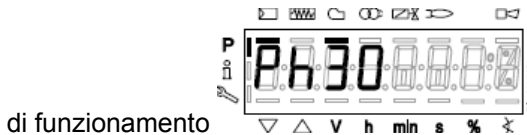
Premendo il pulsante **Info** assieme ad un altro qualsiasi pulsante, l'apparecchiatura LME73 si mette in blocco e il



display mostra



In stand-by il display mostra **0FF**, durante la fase di avviamento bruciatore il display mostra le fasi



di funzionamento

Lista delle fasi con display AZL2x :

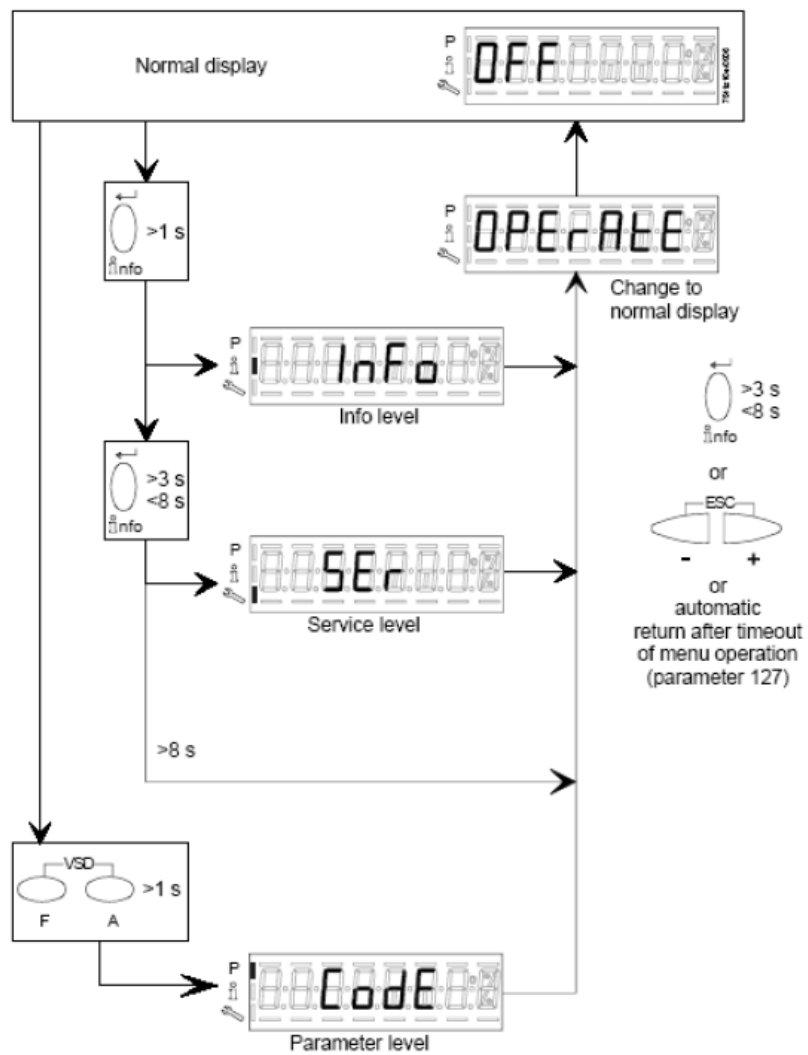
Numero fase	Funzione
Standby	
OFF	Standby, attesa richiesta calore
Ph08	alimentazione ON / test phase (es. Test rilevatore fiamma)
Avvio	
Ph21	Valvole sicurezza ON, test pressostato aria/ POC test (timeout / locking)
Ph22	Motore ventilatore ON / test pressostato aria / settling time
Ph24	Servocomando apre in posizione preventilazione
Ph30	Preventilazione
Ph36	Servocomando chiude in posizione accensione/bassa fiamma
Ph38	Pre-accensione
Ph40	1° tempo di sicurezza (TSA1) / trasformatore accensione ON
Ph42	tempo di sicurezza (trasformatore accensione OFF), controllo fiamma
Ph44	Intervallo: fine tempo di sicurezza e valvola combustibile 1 (V1) ON Intervallo: fine tempo di sicurezza e rilascio load controller (LR)
Ph50	2° tempo di sicurezza (TSA2)
Ph54	P259.01: Servocomando apre verso > bassa fiamma
Ph54	P260: Servocomando chiude in bassa fiamma
oP1	Intervallo fino al rilascio del load controller target (ingresso analogico o a 3-punti)
Funzionamento	
oP	funzionamento, modulazione
Spegnimento	
Ph10	Spegnimento, servocomando apre in posizione CLOSE (home run)
Ph72	servocomando apre in posizione alta fiamma / fine funzionamento
Ph74	Post-ventilazione
Controllo tenuta	
Ph80	Test evacuazione spazio tra le due valvole gas
Ph81	Tempo di controllo valvola combustibile 1
Ph82	Test riempimento tra le due valvole gas
Ph83	Tempo di controllo valvola combustibile 2
Fasi attesa (start prevention)	
Ph01	Sottotensione
Ph02	Catena sicurezze aperta
Ph04	Luce estranea ad avvio bruciatore (timeout / blocco dopo 30 s)
Ph90	Pressostato di minima pressione gas aperto
Blocco	
LOC	Fase di blocco

Lista codici di errore tramite AZL2x esterno :

Codice errore	Testo	Possibile causa
Loc 2	Mancanza fiamma alla fine del tempo di sicurezza (TSA)	- valvole gas difettose o sporche - rilevatore fiamma difettoso o sporco - errata regolazione del bruciatore, mancanza combustibile - dispositivo di accensione difettoso
Loc 3	Pressostato aria difettoso – pressostato aria(LP) incollato in posizione di riposo, non commuta nel tempo (t10)	Pressostato aria (LP) difettoso - mancanza segnale pressostato aria dopo tempo specifico (t10) - Pressostato aria (LP) incollato in posizione di riposo
Loc 4	Luce estranea	Luce estranea ad avvio bruciatore
Loc 5	Pressostato aria difettoso, contatto incollato in posizione di lavoro	Time out pressostato aria (LP) - pressostato aria (LP) incollato in posizione di lavoro
Loc 6	Servocomando difettoso	- servocomando difettoso o bloccato - errore connessione - errata regolazione
Loc 7	Mancanza fiamma	Troppe perdite di fiamma in funzionamento (limitazione della ripetizioni) - valvole gas difettose o sporche - rilevatore fiamma difettoso o sporco - errata regolazione del bruciatore
Loc 8	---	libero
Loc 9	---	libero
Loc 10	Error not relatable (application), internal error	Errore cablaggio o errore interno, contatti di uscita, altri guasti
Loc 12	Controllo tenuta	Perdita valvola combustibile 1 (V1)
Loc 13	Controllo tenuta	Perdita valvola combustibile 2 (V2)
Loc 22	Catena sicurezze aperta	- pressostato gas max open - termostato limite di sicurezza intercettato
Loc 138	Ripristino con successo	Ripristino con successo
Loc 167	Blocco manuale	Blocco manuale
Loc: 206	AZL2... incompatible	Utilizza ultima versione

Accesso ai livelli parametri :

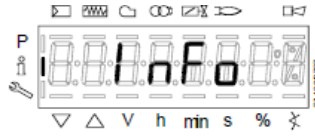
L'accesso ai vari livelli parametri si può fare con opportune combinazioni di tasti come mostrato nello schema a blocchi seguente :



Livello Info :



Premere e mantenere premuto il pulsante  fino a che sul display appare



Premendo il pulsante + o il pulsante - si va avanti e indietro nella lista parametri.



Se a destra compare un tratto punto-linea non c'è spazio per la visualizzazione completa, premendo ancora  per un tempo da 1 a 3 secondi si visualizza il dato esteso.

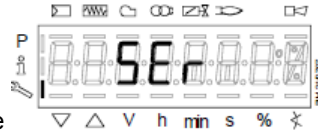
I parametri **Info** visibili sono :

Numero parametro	Descrizione parametri LME73.000Ax + PME73.831AxBC LME73.831AxBC	Tipo di valore	Valore		Risoluzione	Factory setting	Livello password livello lettura	Livello password livello scrittura
			Min.	Max.				
100	Generale							
102	Data di identificazione	Read only	---	---	---		Info	---
103	Numero di identificazione	Read only	0	9999	1		Info	---
113	Numero di identificazione bruciatore	Read only	x	xxxxxxxx	1		Info	---
164	Numero di partenze resettable	Resettable	0	999999	1		Info	Info
166	Numero totale di partenze	Read only	0	999999	1		Info	---
170.00	Numero di cicli del relè interno K12	Read only	0	999999	1		Info	---
170.01	Numero di cicli del relè internoy K11	Read only	0	999999	1		Info	---
170.02	Numero di cicli del relè interno K2	Read only	0	999999	1		Info	---
170.03	Numero di cicli del relè interno K1	Read only	0	999999	1		Info	---
171	Max. numero di cicli relè interno per uscita servocomando	Read only	0	999999	1		Info	---

Livello Service :



Premere e mantenere premuto il pulsante  fino a che sul display appare



Premendo il pulsante + o il pulsante - si va avanti e indietro nella lista parametri.



Se a destra compare un tratto punto-linea non c'è spazio per la visualizzazione completa, premendo ancora  per un tempo da 1 a 3 secondi si visualizza il dato esteso.

I parametri **Info** visibili sono :

Numero parametro	Descrizione parametri LME73.000Ax + PME73.831AxBC LME73.831AxBC	Tipo di valore	Valore		Risoluzione	Factory setting	Livello password livello lettura	Livello password livello scrittura
			Min.	Max.				
700	Storico errori							
701	Errore corrente: 00: Codice errore 01: Numero di partenza 02: Fase 03: Valore % di carico	Read only	2 0 --- 0%	255 999999 --- 100%	1 1 --- 1		Service	---
702	1° errore dello storico: 00: Codice errore 01: Numero di partenza 02: Fase 03: Valore % di carico	Read only	2 0 --- 0%	255 999999 --- 100%	1 1 --- 1		Service	---
•								
•								
•								
711	10° errore dello storico: 00: Codice errore 01: Numero di partenza 02: Fase 03: Valore % di carico	Read only	2 0 --- 0%	255 999999 --- 100%	1 1 --- 1		Service	---

900 Dati di processo								
936	Velocità normalizzata	Read only	0%	100%	0.01 %		Service	---
951	Valore tensione di alimentazione	Read only	0 V	LME73.000A1: 175 V LME73.000A2: 350 V	1 V		Service	---
954	% Intensità di fiamma	Read only	0%	100%	1%		Service	---

Livello Parametri (Tecnico installatore) :

Il livello parametri è il più importante perché permette al tecnico bruciatorista di modificare alcune impostazioni del bruciatore.

L'accesso al livello parametri è protetto da password da 4 caratteri (**SO** bruciatorista) e password da 5 caratteri (**OEM** costruttore bruciatore).

Per accedere all'inserimento della password procedere in questo modo :

Premere contemporaneamente i pulsanti **F** e **A** fino a che il display visualizza **code** e successivamente 7 trattini in basso di cui il primo a sinistra lampeggiante. Con il pulsante **+ o -** premere fino a visualizzare il primo carattere della password desiderato e premere **enter**, a questo punto il carattere impostato si trasforma in trattino centrale, mentre il secondo trattino basso lampeggia. Con il pulsante **+ o -** premere fino a visualizzare il secondo carattere della password, premere **enter**. Continuare in questo modo fino a completare il codice e dare **enter** fino a che compare la scritta **PARA** e successivamente compare sul display **000 Int**. Con il pulsante **+ o -** si vedono i gruppi di parametri **000Int, 100, 200, 500, 600**. Una volta individuato il gruppo di parametri, con **enter** si entra nel gruppo e con il pulsante **+ e poi -** si scorre la lista (vedi tabella con elenco completo). Per modificare un parametro, se autorizzati dalla password (vedi colonna "Livello password livello scrittura"), una volta selezionato il parametro, premere **enter**, il valore lampeggia e con i pulsanti **+ o -** è possibile modificare il valore, poi **enter** per confermare. Premendo assieme i pulsanti **+ e -** si ritorna indietro di un passo alla lista parametri. Per uscire dalla programmazione, premere **+ e -** più volte fino ad arrivare alla visualizzazione base.

Numero parametro	Descrizione parametri LME73.000Ax + PME73.831AxBC LME73.831AxBC	Tipo di valore	Valore		Risoluzione	Factory setting	Livello password livello lettura	Livello password livello scrittura
			Min.	Max.				
0	parametri interni							
41	Password centro assistenza (4 characters)	Edit	xxxx	xxxx	---		---	OEM
42	Password OEM (5 characters)	Edit	xxxxx	xxxxx	---		---	OEM
60	Backup / restore	Edit	Restore	Backup	---		---	SO
100	Generale							
123	Valore percentuale minimo per aumento di potenza	Edit	1%	10%	0.1		SO	SO
140	Tipo di visualizzazione con AZL2... 1 = Standard (fase programma) 2 = Intensità di fiamma 1 (QRA... / ION) 3 = Intensità di fiamma 2 (QRB... / QRC...) 4 = Indicazione potenza bruciatore	Edit	1	4	4		SO	SO
200	Controllo bruciatore							
224	Tempo (t10) commutazione pressostato aria (LP)	Edit	0 s	13.818 s	0.294 s	12,054	SO	OEM
225	Gas: Tempo di preventilazione (t1)	Edit	0 s	1237 s	4.851 s	29,106	SO	OEM
226	Gas: Tempo di preaccensione (t3)	Edit	1.029 s	37.485 s	0.147 s	2,058	SO	OEM
230	Intervallo (t4): Fine tempo di sicurezza (TSA) e apertura valvola 1 (V1) ON	Edit	3.234 s	74.97 s	0.294 s	3,234	SO	OEM
231	Intervallo (t9): Apertura valvola 1 (V1) ON - spegnimento valvola pilota (PV) OFF	Edit	0 s	74.97 s	0.294 s	2,940	SO	OEM

232	Interval (t5): Spegnimento valvola pilota (PV) OFF - attivazione controllore di carico (LR)	Edit	2.058 s	74.97 s	0.294 s	8.820	SO	OEM
234	Gas: Tempo post-ventilazione (t8)	Edit	0 s	1237 s	4.851 s	0	SO	OEM
239	Gas: Spegnimento automatico dopo 24 ore di funzionamento (fiamma presente) ininterrotto 0=OFF 1=ON	Edit	0	1	1	1	SO	OEM
240	Ripartenza automatica dopo blocco per perdita fiamma durante funzionamento 0 = None 1 = None 2 = 1 x Repetition	Edit	0	2	1	0	SO	OEM
241.00	Controllo tenuta valvole gas 0 = Off 1 = On	Edit	0	1	1	1	SO	OEM
241.01	Controllo di tenuta 0 = Durante preventilazione (t1) 1 = Durante post-ventilazione (t8)	Edit	0	1	1	0	SO	OEM
241.02	Controllo di tenuta 0 = In accordo al parametro 241.01 1 = Durante il tempo di preventilazione (t1) e tempo di post-ventilazione (t8)	Edit	0	1	1	0	SO	OEM
242	Controllo di tenuta - tempo apertura valvola di scarico (V2)	Edit	0 s	2.648 s	0.147 s	2,646	SO	OEM
243	Controllo di tenuta - tempo di controllo pressione atmosferica	Edit	1.029 s	37.485 s	0.147 s	10,290	SO	OEM
244	Controllo di tenuta - tempo apertura valvola di carico (V1)	Edit	0 s	2.648 s	0.147 s	2,646	SO	OEM
245	Controllo di tenuta - tempo di controllo pressione gas	Edit	1.029 s	37.485 s	0.147 s	10,290	SO	OEM
254	Tempo di risposta all'errore 0 = 1 s 1 = 3 s	Edit	0	1	1	0	SO	OEM
257	Gas: Tempo di post-accensione (t3n - 0.3 secondi)	Edit	0 s	13.23 s	0.147 s	2,205	SO	OEM
259.00	Tempo massimo di apertura servocomando (t11)	Edit	0 s	1237 s	4.851 s	67,914	SO	OEM
259.01	Tempo di apertura servocomando tra punto di accensione e posizione di bassa fiamma	Edit	0 s	37.485 s	0.147 s	14,994	SO	OEM
259.02	Tempo di apertura servocomando tra posizione di bassa fiamma punto di accensione	Edit	0 s	37.485 s	0.147 s	14,994		
260	Tempo massimo di chiusura servocomando (t12)	Edit	0 s	1237 s	4.851 s	67,914	SO	OEM
500	Controllo di rapporto							
515	Posizione attuatore durante il tempo di preventilazione (t1) e il tempo di post-ventilazione (t8) 0: Ventilazione con posizione servocomando in bassa fiamma 1: Ventilazione con posizione di ventilazione in alta fiamma	Edit	0	1	1	1	SO	OEM

560	Controllo di combustione pneumatico 0 = Off / modulazione a 3 punti 1 = Ventilazione PWM / modulazione da segnale analogico 2 = air damper / analog modulation (richiede potenziometro di feedback meter ASZxx.3x)	Edit	0	2	1	1	SO	SO
600 Settaggio ingresso di regolazione								
654	Ingresso analogico (richiede potenziometro di feedback ASZxx.3x) 0 = Ingresso 3 punti: aumenta - fermo - diminuisce 1 = 0...10 V 2 = 0...135 Ω 3 = 0...20 mA 4 = 4...20 mA con blocco per valori <4 mA 5 = 4...20 mA	Edit	0	5	1	0	SO	SO

ATTENZIONE

Num. Parametro :

41
42
60
123
140
242
243
244
245
259.01

**Parametri modificabili dai rispettivi livelli di accesso SO o OEM per apparecchiatura
LME73.831AxBC**

Le informazioni contenute in questo documento sono puramente indicative e non impegnative. L'azienda si riserva la facoltà di apportare modifiche senza obbligo di preavviso.



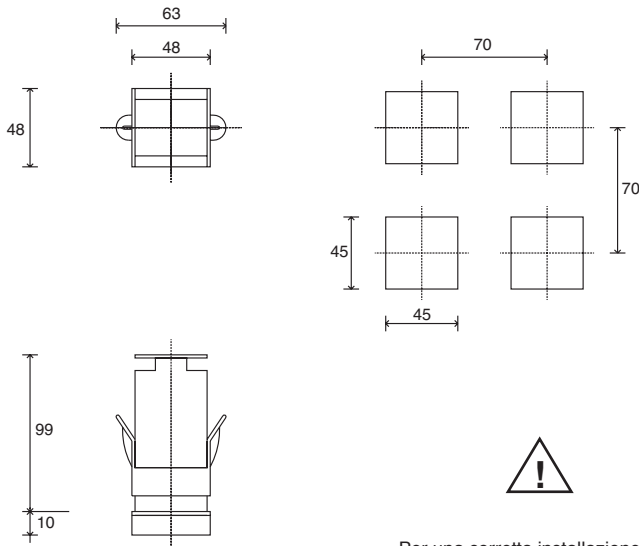
MANUALE D'USO

COD. M12925AA Rel 1.2 08/2014

VERSIONE SOFTWARE 1.0x T73
codice 80379/ Edizione 01 - 06/2012

1 · INSTALLAZIONE

- Dimensioni di ingombro e di foratura; inserimento fissaggio a pannello



Per una corretta installazione leggere le avvertenze contenute nel manuale

Montaggio a quadro:

Per bloccare gli strumenti inserire l'apposito blocchetto nelle sedi presenti sui lati della scatola. Per montare due o più strumenti affiancati rispettare per il foro le misure come da disegno.

MARCATURA CE: Lo strumento è conforme alle Direttive dell'Unione Europea 2004/108/CE e 2006/95/CE con riferimento alle norme generiche: **EN 61000-6-2** (immunità in ambiente industriale) **EN 61000-6-3** (emissione in ambiente residenziale) **EN 61010-1** (sicurezza).

MANUTENZIONE: Le riparazioni devono essere eseguite solamente da personale specializzato od opportunamente addestrato. Togliere alimentazione allo strumento prima di accedere alle parti interne. Non pulire la scatola con solventi derivati da idrocarburi (trielina, benzina, etc.). L'uso di tali solventi compromette l'affidabilità meccanica dello strumento. Per pulire le parti esterne in plastica utilizzare un panno pulito inumidito con alcool etilico o con acqua.

ASSISTENZA TECNICA: In GEFRA è disponibile un reparto di assistenza tecnica. Sono esclusi da garanzia i difetti causati da un uso non conforme alle istruzioni d'uso.

La conformità EMC è stata verificata con i seguenti collegamenti

FUNZIONE	TIPO DI CAVO	LUNGHEZZA UTILIZZATA
Cavo di alimentazione	1 mm ²	1 mt
Fili uscita relè	1 mm ²	3,5 mt
Sonda ingresso termocoppia	0,8 mm ² compensated	5 mt
Sonda ingresso termoresistenza "PT100"	1 mm ²	3 mt

2 · CARATTERISTICHE TECNICHE

Display	2x4 digit verde, altezza cifre 10 e 7mm
Tasti	4 di tipo meccanico (Man/Aut, INC, DEC, F)
Accuratezza	0.2% f.s. ±1 digit a temperatura ambiente di 25°C
Ingresso principale (filtro digitale impostabile)	TC, RTD, PTC, NTC 60mV, 1V Ri≥1MΩ; 5V, 10V Ri≥10KΩ; 20mA Ri=50Ω Tempo di campionamento 120 msec.
Tipo TC (Termocoppie) (ITS90)	Tipo TC Termocoppie : J,K,R,S,T (IEC 584-1, CEI EN 60584-1, 60584-2) ; è possibile inserire una linearizzazione custom i tipi B, E, N, L, GOST, U, G, D, C sono disponibili usando la linearizzazione custom.
Errore comp. giunto freddo	0,1° / °C
Tipo RTD (scala impostabile nel campo indicato, con/senza punto decimale) (ITS90) Max. resistenza di linea per RTD	DIN 43760 (Pt100), JPT100 20Ω
Tipo PTC / Tipo NTC	990Ω, 25°C / 1KΩ, 25°C
Sicurezza	rilevamento corto circuito o apertura delle sonde, allarme LBA
Selezione gradi C / F	configurabile da tastiera
Range scale lineari	-1999...9999 punto decimale impostabile
Azioni di controllo	Pid, Autotune, on-off
pb - dt - it	0,0...999,9 % - 0,00...99,99 min - 0,00...99,99 min
Azione	caldo / freddo
Uscite di controllo	on / off
Limitazione Max potenza caldo / freddo	0,0...100,0 %
Tempo di ciclo	0...200 sec
Tipo di uscita main	relè, logica, continua (0...10V Rload ≥ 250KΩ, 0/4...20mA Rload ≤ 500Ω)
Softstart	0,0...500,0 min
Impostazione potenza di fault	-100,0...100,0 %
Funzione spegnimento	Mantiene la visualizzazione di PV, possibilità di esclusione
Allarmi configurabili	Fino a 3 funzioni di allarme associabili ad una uscita e configurabili di tipo: massima, minima, simmetrici, assoluti/relativi, LBA
Mascheratura allarmi	esclusione all'accensione memoria, reset da tastiera e/o contatto
Tipo di contatto relè	NO (NC), 5A, 250V/30Vdc cosΩ=1
Uscita logica per relè statici	24V ±10% (10V min a 20mA)
Alimentazione trasmettitore	15/24Vdc, max 30mA protezione cortocircuito
Alimentazione (tipo switching)	(standard) 100...240Vac ±10% (opzionale) 11...27Vac/dc ±10% 50/60Hz, 8VA max.
Protezione frontale	IP65
Temperatura di lavoro / stoccaggio	0...50°C / -20...70°C
Umidità relativa	20...85% Ur non condensante
Condizioni ambientali di utilizzo	uso interno, altitudine sino a 2000m
Installazione	a pannello, estraibilità frontale
Peso	160 g in versione completa

3 • DESCRIZIONE FRONTALE STRUMENTO

Indicatori di funzione:
Segnalano il tipo di funzionamento dello strumento

L1 MAN/AUTO = OFF (regolazione automatica)
ON (regolazione manuale)

L2 PRE-HEATING = ON (in esecuzione)

L3 SELFTUNING = ON (Self attivato)
OFF (Self disattivato)

Selezione regolazione Automatica / Manuale:
Attivo solo quando il display PV visualizza la variabile di processo (tasto premuto per almeno 5 sec.)



Indicazione stato delle uscite:
OUT 1 (AL1); OUT 2 (APRI); OUT 3 (CHIUDI)

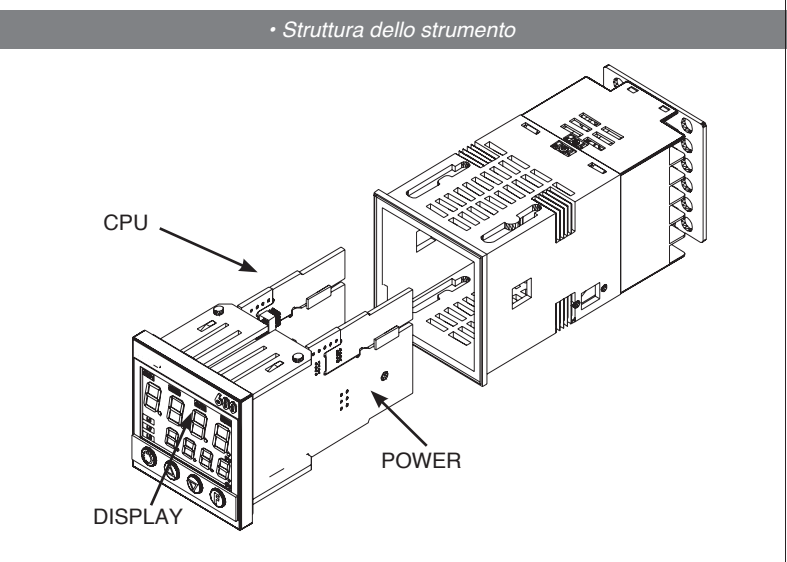
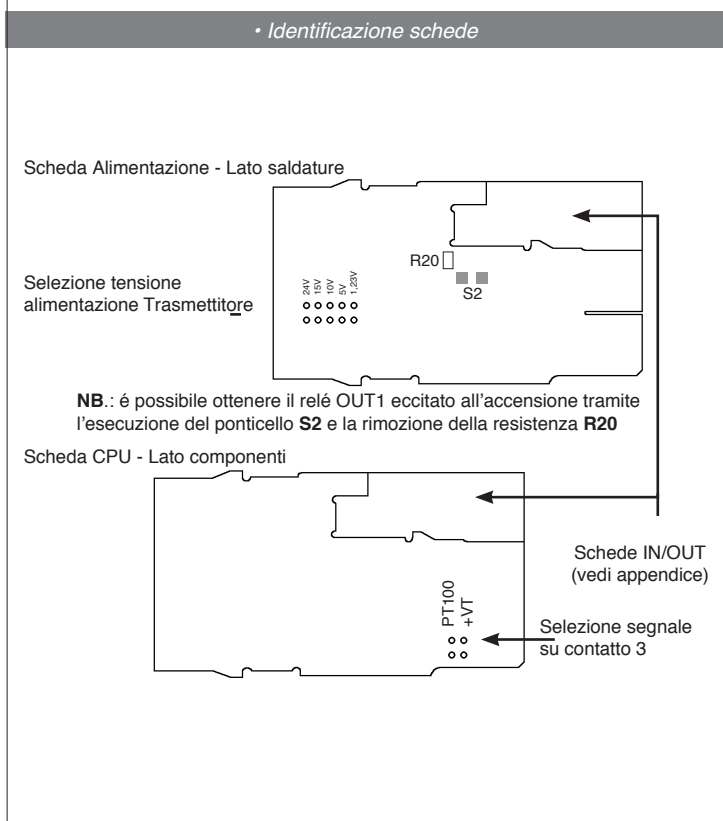
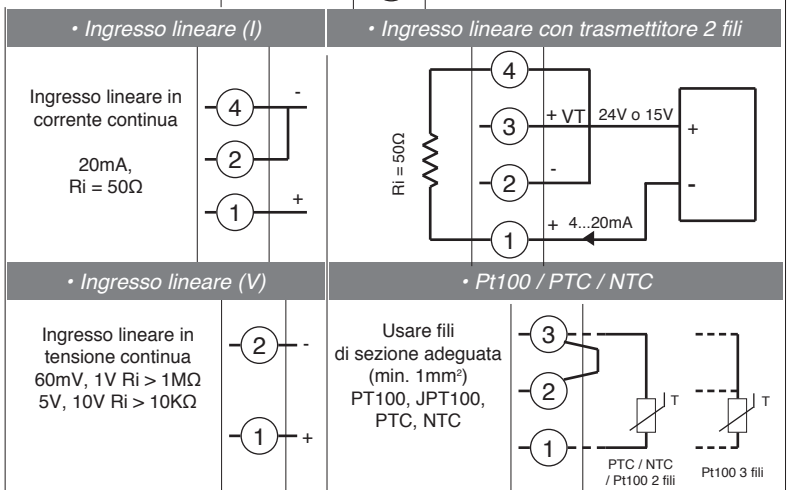
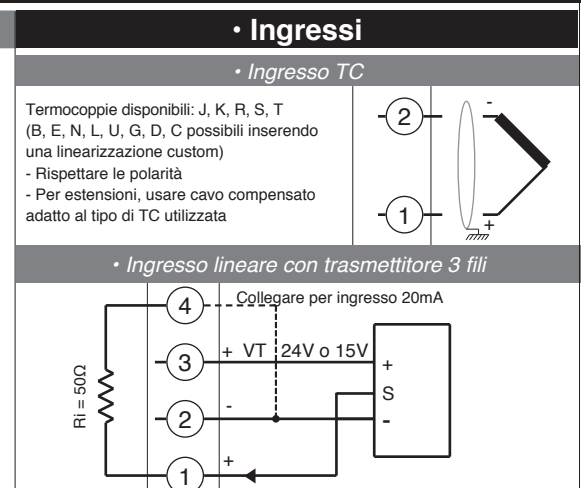
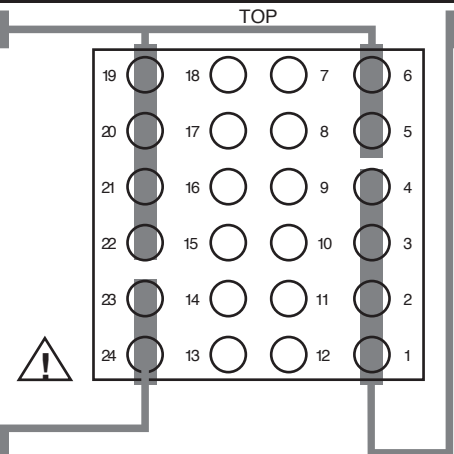
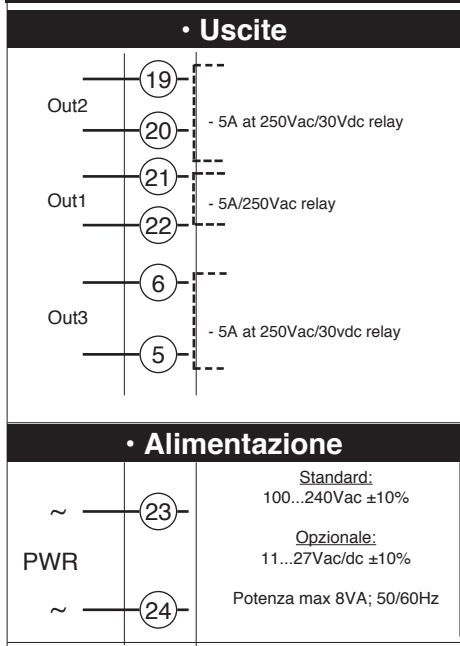
Display PV: Indicazione della variabile di processo
Visualizzazione errori: LO, HI, Sbr, Err
LO = il valore della variabile di processo \leq di LO_S
HI = il valore della variabile di processo \geq di HI_S
Sbr = sonda interrotta o valori dell'ingresso oltre i limiti massimi
Err = terzo filo interrotto per PT100, PTC o valori dell'ingresso inferiori ai limiti minimi (es. per TC con collegamento errato)

Display SV: Indicazione Setpoint di regolazione

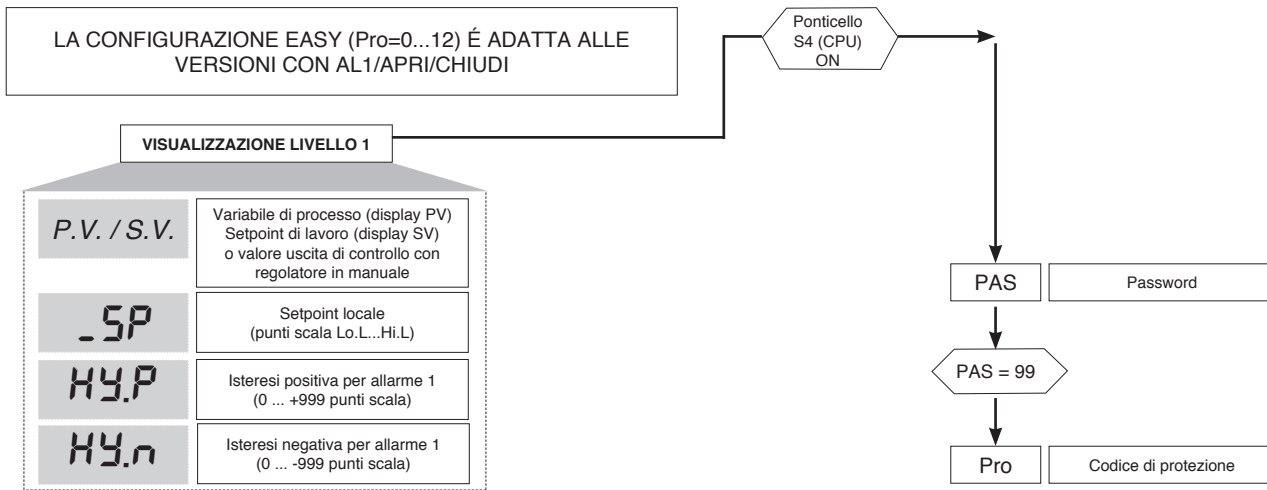
Pulsante funzione:
Permette di accedere alle diverse fasi di configurazione • Conferma la modifica dei parametri impostati con passaggio al successivo o al precedente se il tasto Auto/Man è premuto

Pulsanti "Incrementa" e "Decrementa":
Permettono di realizzare un'operazione di incremento (decremento) di un qualsiasi parametro numerico • La velocità di incremento (decremento) è proporzionale alla durata della pressione del tasto • L'operazione non è ciclica ovvero una volta raggiunto il max. (min.) di un campo di impostazione, pur mantenendo premuto il tasto, la funzione incremento (decremento) viene bloccata

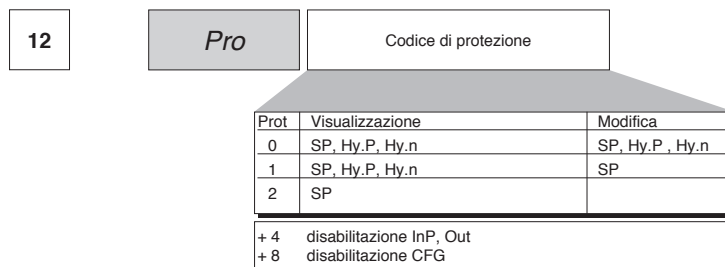
4 • CONNESSIONI



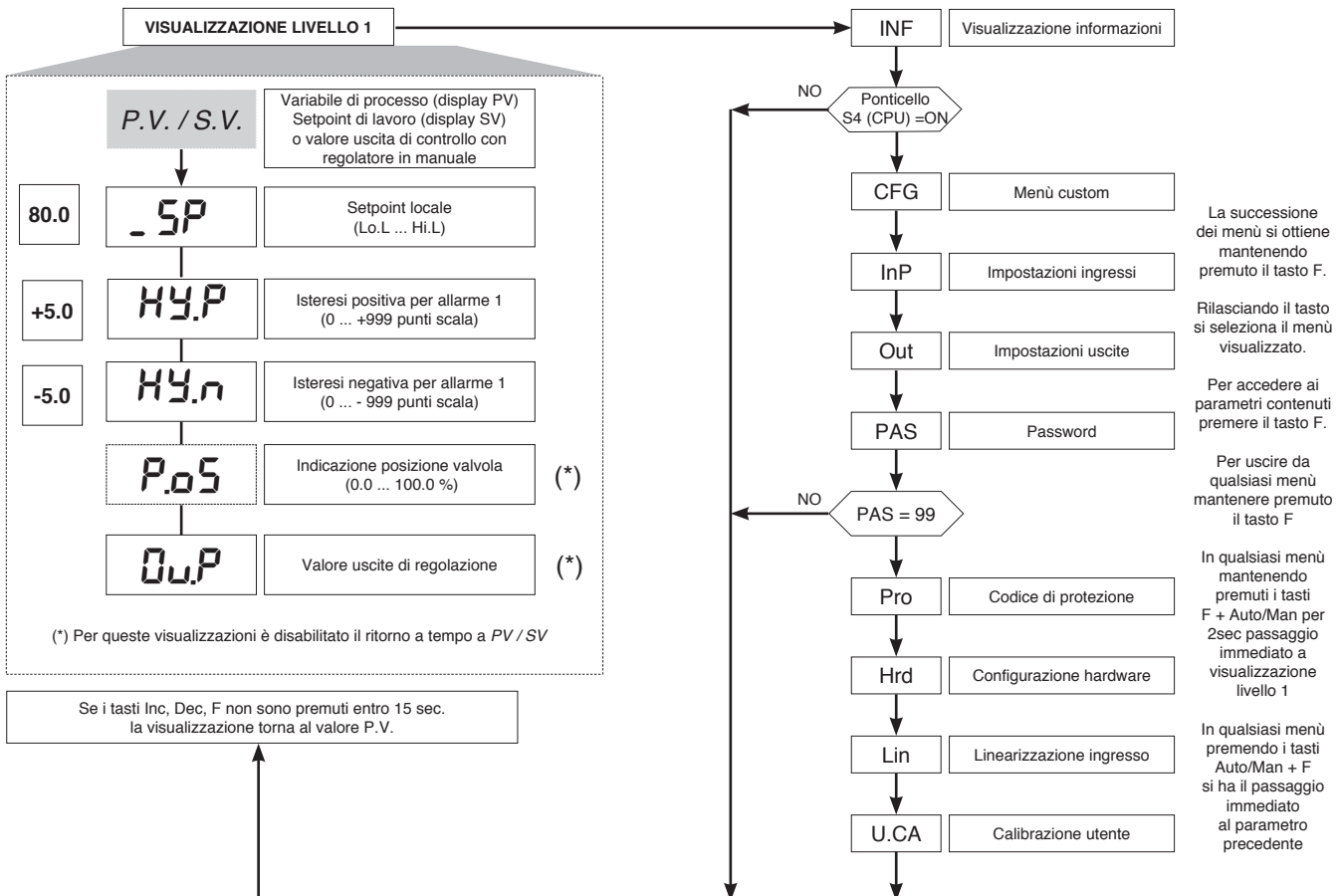
5 · PROGRAMMAZIONE E CONFIGURAZIONE “EASY”



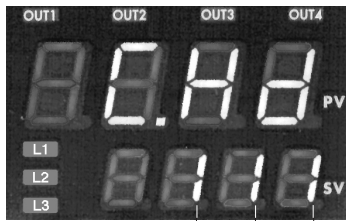
· Pro



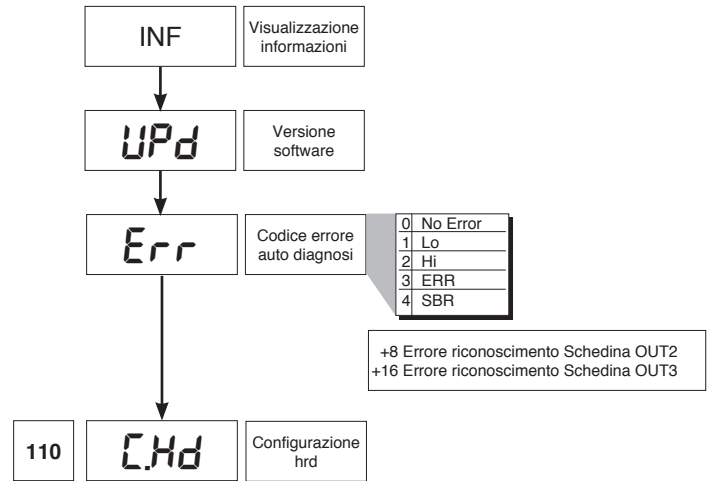
6 · PROGRAMMAZIONE e CONFIGURAZIONE



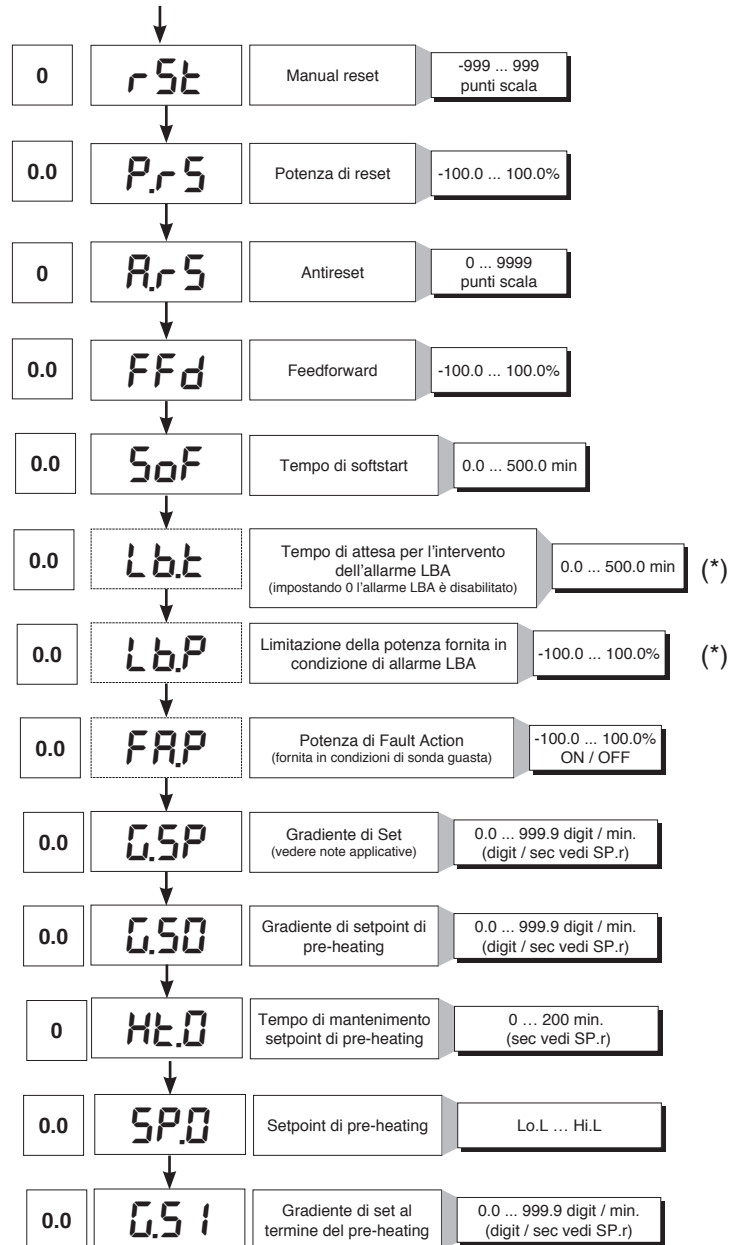
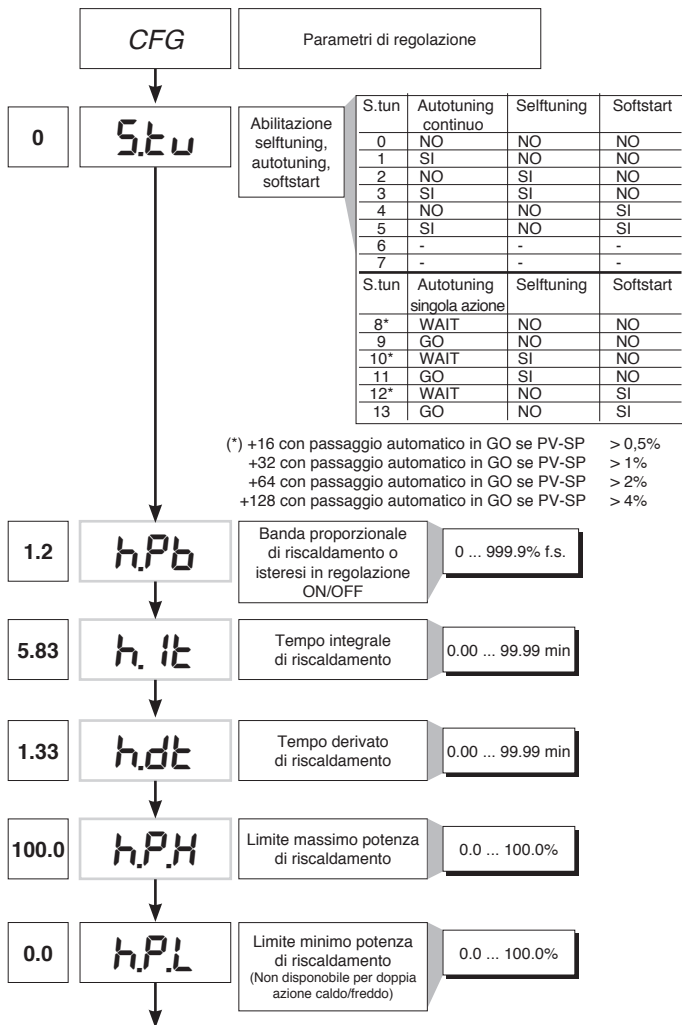
Nota: Tutti i parametri che non sono necessari, a seguito della particolare configurazione, non sono visualizzati



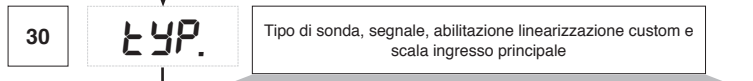
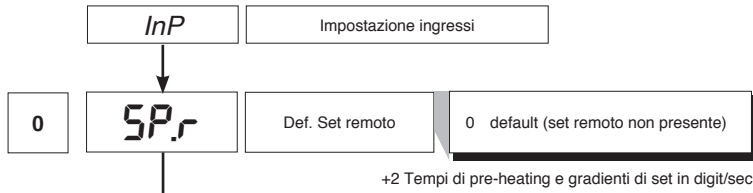
USCITA 2	USCITA 3	COMUNICAZIONE DIG.
0 = Assente	0 = Assente	0 = Assente
1 = Relé	1 = Relé	



• CFG



(*) Se l'allarme LBA è attivo, si può annullare premendo i tasti Δ + ∇ quando sul display è visualizzato il valore dell'uscita di regolazione (OutP), oppure commutando in Manuale.



Type	Tipo sonda	Senza punto dec.	Con punto dec.
	Sensore: TC		
0	TC J °C	0/1000	0.0/999.9
1	TC J °F	32/1832	32.0/999.9
2	TC K °C	0/1300	0.0/999.9
3	TC K °F	32/2372	32.0/999.9
4	TC R °C	0/1750	0.0/999.9
5	TC R °F	32/3182	32.0/999.9
6	TC S °C	0/1750	0.0/999.9
7	TC S °F	32/3182	32.0/999.9
8	TC T °C	-200/400	-199.9/400.0
9	TC T °F	-328/752	-199.9/752.0
28	TC	CUSTOM	CUSTOM
29	TC	CUSTOM	CUSTOM
30	PT100 °C	-200/850	-199.9/850.0
31	PT100 °F	-328/1562	-199.9/999.9
32	JPT100 °C	-200/600	-199.9/600.0
33	JPT100 °F	-328/1112	-199.9/999.9
34	PTC °C	-55/120	-55.0/120.0
35	PTC °F	-67/248	-67.0/248.0
36	NTC °C	-10/70	-10.0/70.0
37	NTC °F	14/158	14.0/158.0
38	0...60 mV	-1999/9999	-199.9/999.9
39	0...60 mV	linear custom	linear custom
40	12...60 mV	-1999/9999	-199.9/999.9
41	12...60 mV	linear custom	linear custom
42	0...20 mA	-1999/9999	-199.9/999.9
43	0...20 mA	linear custom	linear custom
44	4...20 mA	-1999/9999	-199.9/999.9
45	4...20 mA	linear custom	linear custom
46	0...10 V	-1999/9999	-199.9/999.9
47	0...10 V	linear custom	linear custom
48	2...10 V	-1999/9999	-199.9/999.9
49	2...10 V	linear custom	linear custom
50	0...5 V	-1999/9999	-199.9/999.9
51	0...5 V	linear custom	linear custom
52	1...5 V	-1999/9999	-199.9/999.9
53	1...5 V	linear custom	linear custom
54	0...1 V	-1999/9999	-199.9/999.9
55	0...1 V	linear custom	linear custom
56	200mv..1V	-1999/9999	-199.9/999.9
57	200mv..1V	linear custom	linear custom
58	Cust 10V-20mA	-1999/9999	-199.9/999.9
59	Cust 10V-20mA	linear custom	linear custom
60	Cust 60mV	-1999/9999	-199.9/999.9
61	Cust 60mV	linear custom	linear custom
62	PT100-JPT	CUSTOM	CUSTOM
63	PTC	CUSTOM	CUSTOM
64	NTC	CUSTOM	CUSTOM

Per linearizzazione custom:

- La segnalazione LO avviene con variabile a valori inferiori a Lo.S o al valore minimo di calibrazione
- La segnalazione HI avviene con variabile a valori superiori a Lo.S o al valore massimo di calibrazione

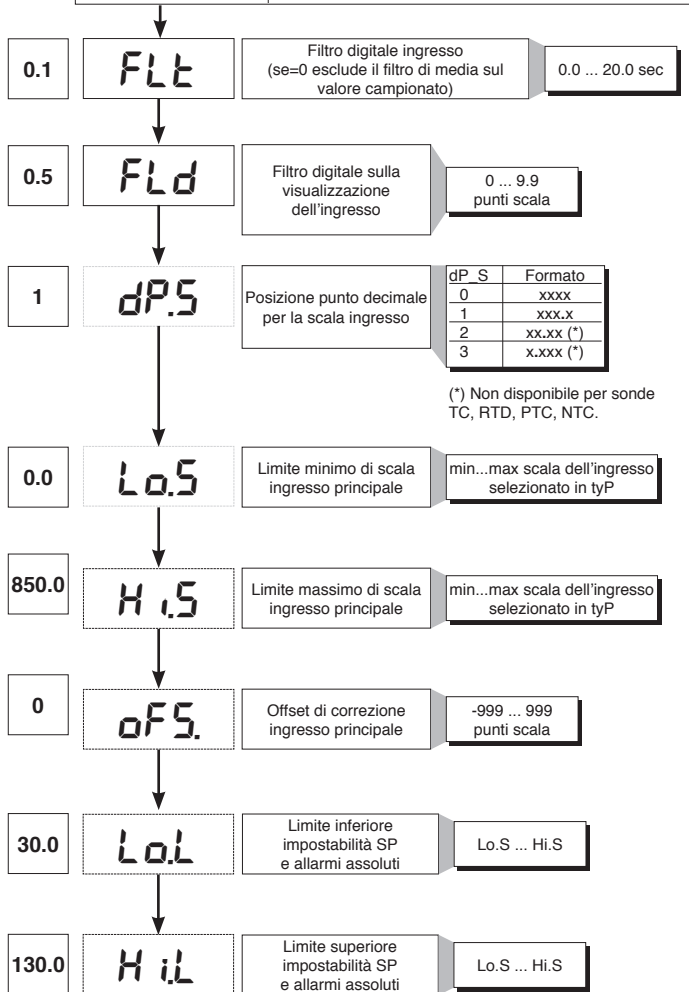
Errore massimo di non linearità per termocoppie (Tc), termoresistenza (PT100) e termistori (PTC, NTC)

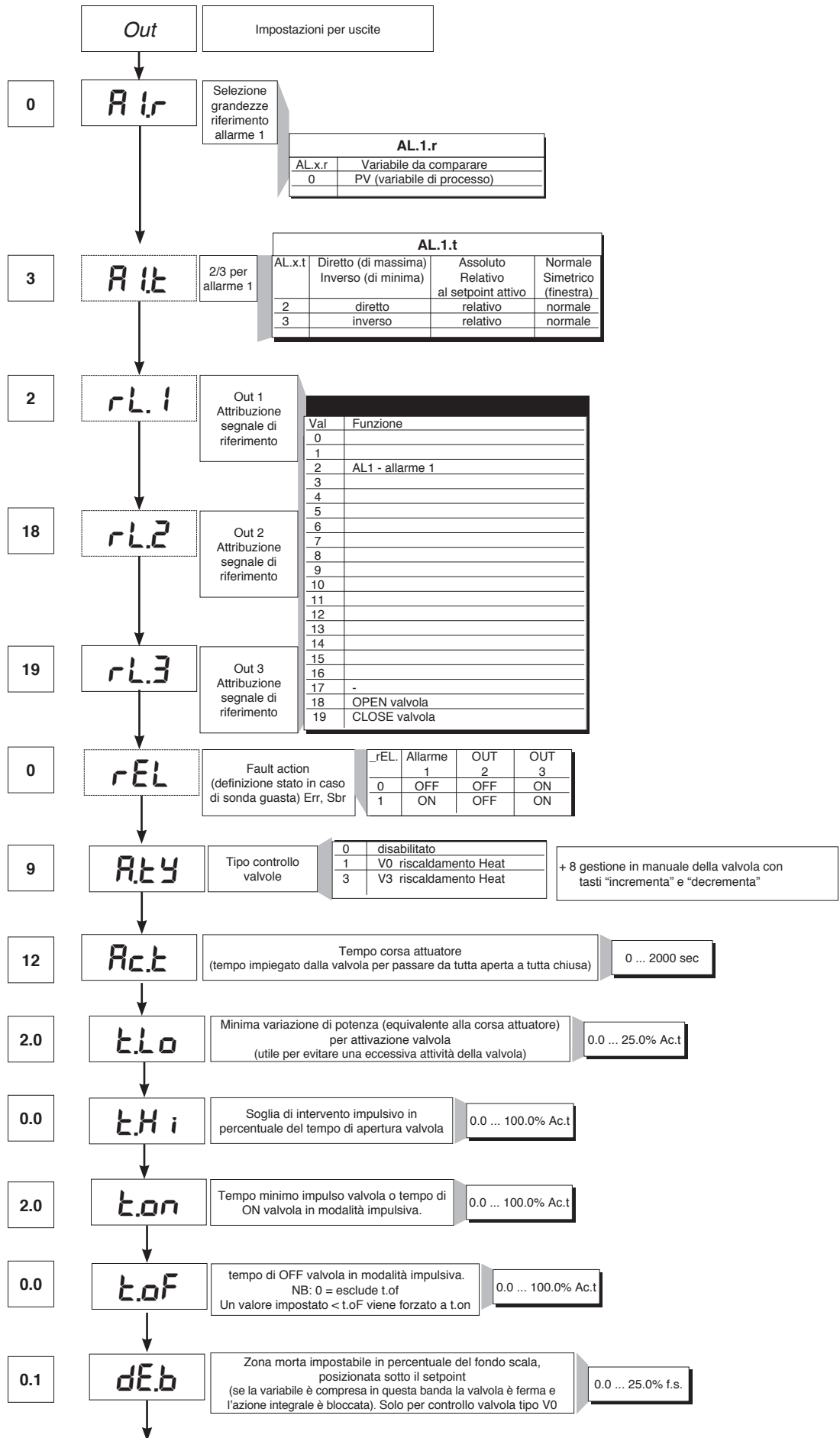
L'errore è calcolato come scostamento dal valore teorico con riferimento in % al valore di fondo scala espresso in gradi celsius (°C)

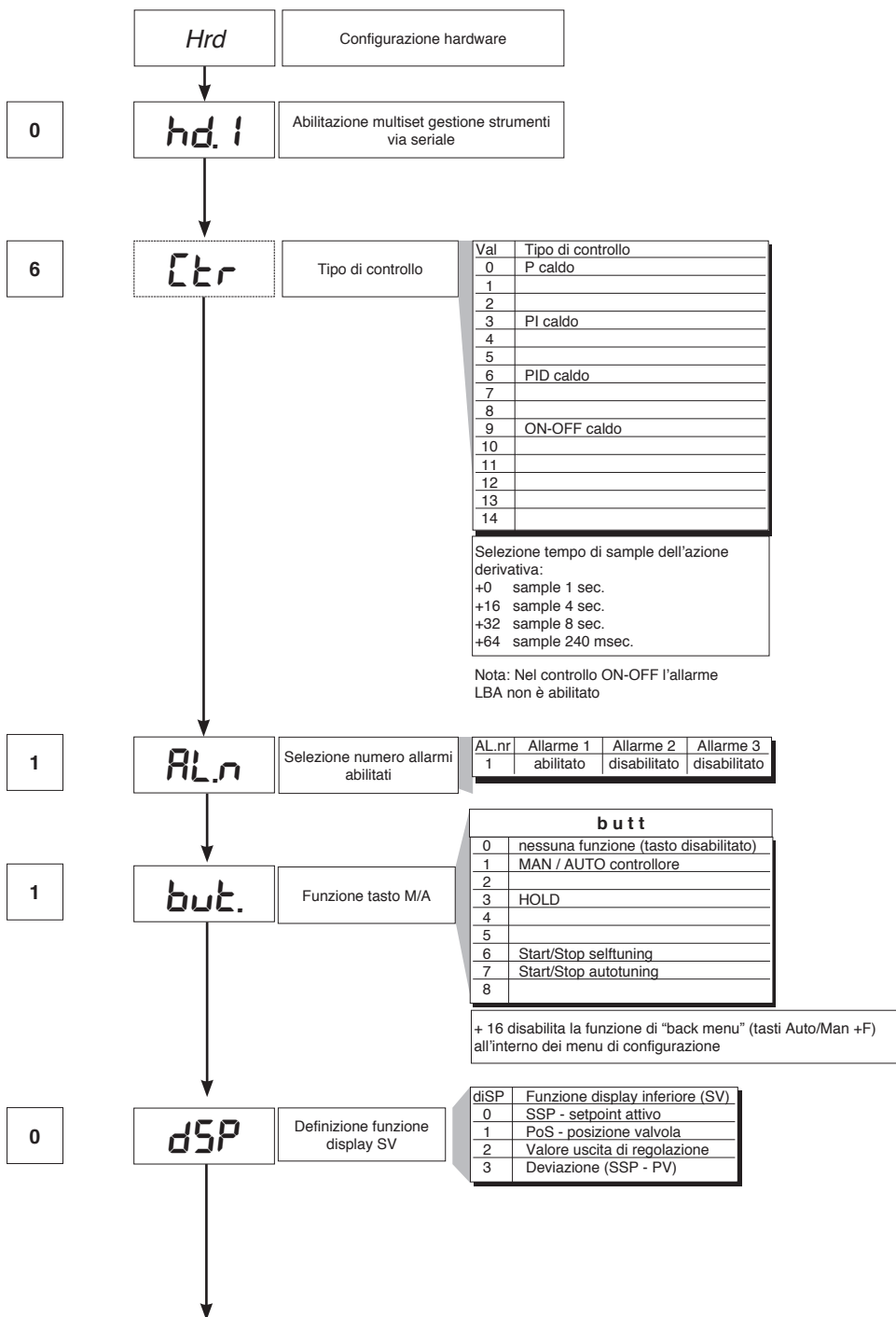
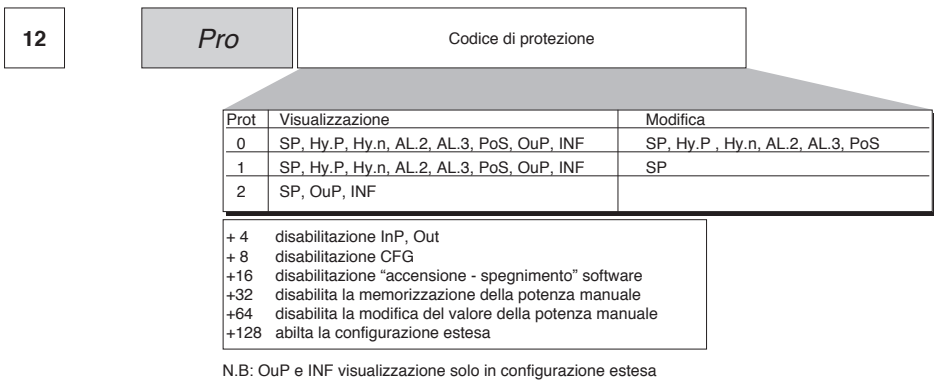
S, R scala 0...1750°C; errore < 0,2% f.s. (t > 300°C) per altre scale; errore < 0,5% f.s.
T errore < 0,2% f.s. (t > -150°C)
B scala 44...1800°C; errore < 0,5% f.s. (t > 300°C) scala 44,0...999,9; errore f.s.(t>300°C)
U scala -200...400; errore < 0,2% f.s. (per t > -100°C) per altre scale; errore < 0,5% f.s.
G errore < 0,2% f.s. (t > 300°C)
D errore < 0,2% f.s. (t > 200°C)
C scala 0...2300; errore < 0,2% f.s. per altre scale; errore < 0,5% f.s.

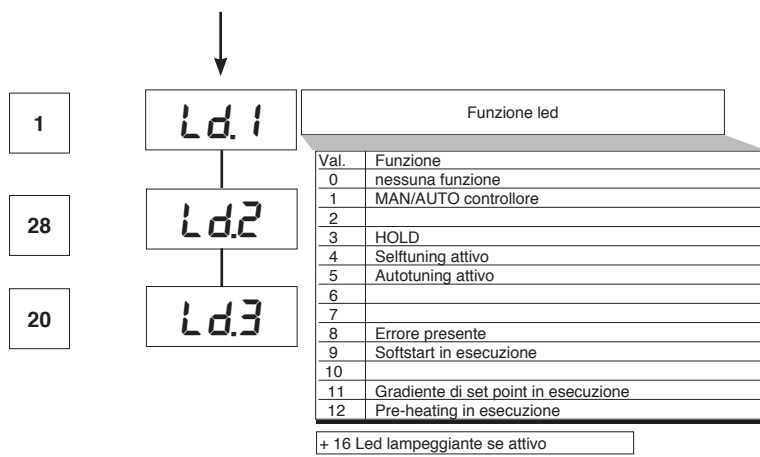
NTC errore < 0,5% f.s.

Tc tipo **J, K, E, N, L** errore < 0,2% f.s.
JPT100 e PTC errore < 0,2% f.s.
PT100 scala -200...850°C accuratezza a 25°C migliore dello 0,2% f.s.
 Nel range 0...50°C:
 • accuratezza migliore dello 0,2% f.s. nel range -200...400°C
 • accuratezza migliore dello 0,4% f.s. nel range +400...850°C (dove f.s. è riferito al range -200...850°C)

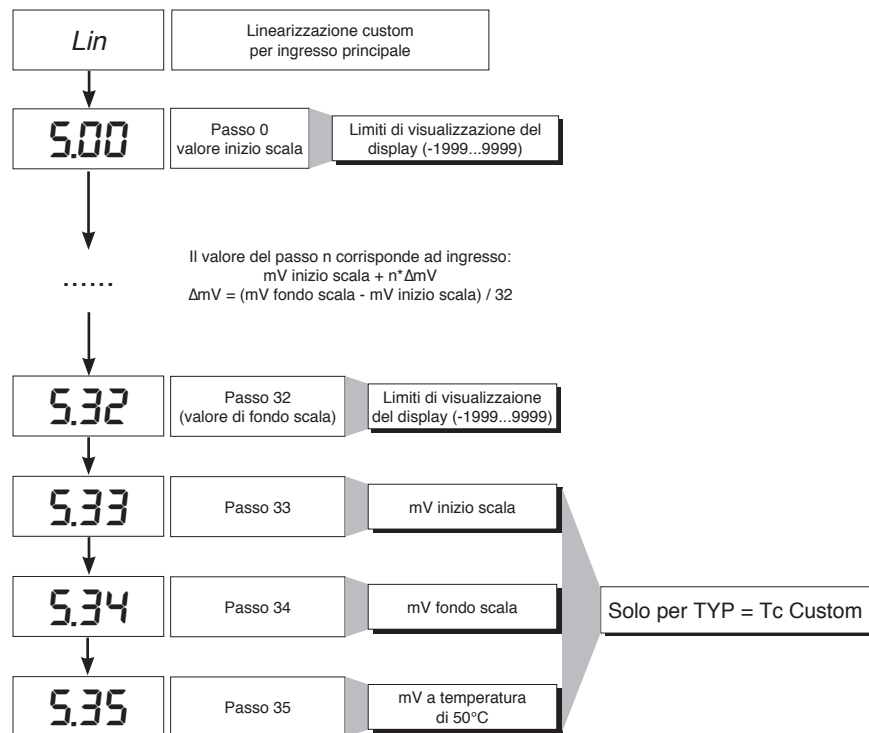






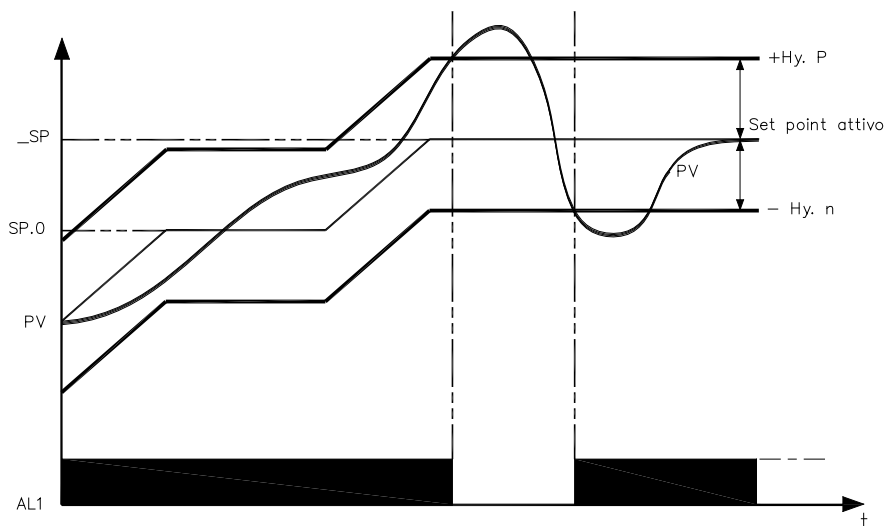


• Lin



• U.CAL





Il consenso bruciatore si ottiene configurando l'allarme 1 come relativo inverso con isteresi positiva Hy.P ed isteresi negativa Hy.n

8 · FUNZIONE DI PRE-HEATING

La funzione di pre-heating si abilita impostando i parametri GS.0, Ht.0, GS.1 diversi da zero.

Si compone di tre fasi che vengono attivate sequenzialmente all'accensione:

- Fase di rampa 0.

Si abilita attraverso l'impostazione $GS.0 > 0$. Partendo dal setpoint = PV (stato iniziale) si raggiunge il set di pre-heating SP.0 con gradiente GS.0

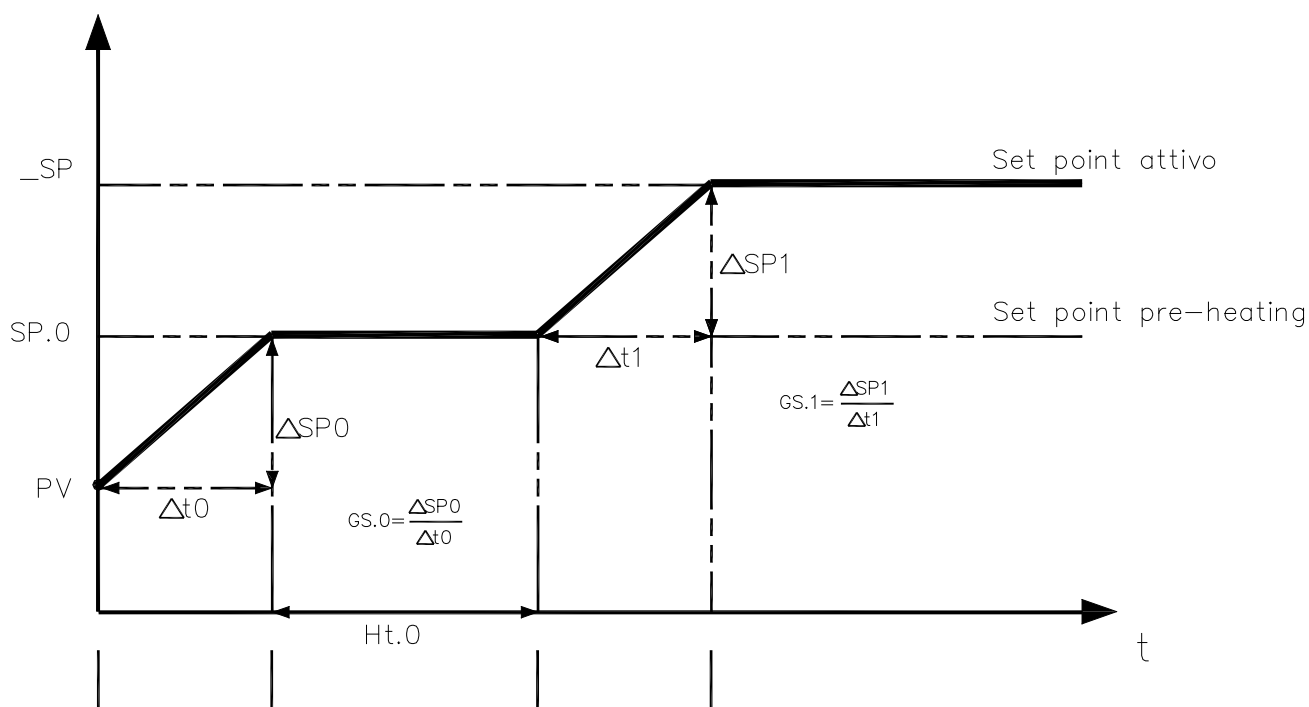
- Fase di mantenimento.

Si abilita attraverso l'impostazione $Ht.0 > 0$. Mantiene per il tempo Ht.0 il setpoint di pre-heating SP.0

- Fase di rampa 1.

Si abilita attraverso l'impostazione $GS.1 > 0$. Partendo dal setpoint di pre-heating SP.0 si raggiunge il set attivo _SP con gradiente GS.1

In caso di selftuning la funzione di pre-heating non viene attivata



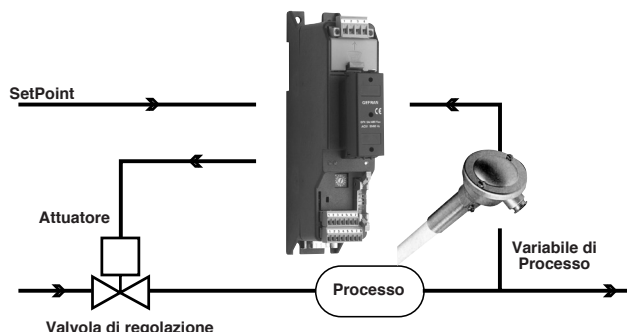
9 • REGOLAZIONE CON VALVOLE MOTORIZZATE

In un processo di regolazione la valvola di regolazione ha il compito di variare la portata del fluido combustibile (corrispondente spesso all'energia termica introdotta nel processo) in funzione del segnale proveniente dal regolatore.

A tale scopo essa è dotata di un attuatore in grado di modificare il suo valore di apertura, vincendo le resistenze prodotte dal fluido passante al suo interno.

Le valvole di regolazione variano la portata in modo modulato, producendo variazioni finite dell'area interna di passaggio del fluido in corrispondenza a variazioni finite del segnale d'ingresso all'attuatore, proveniente dal regolatore. Il servomeccanismo è composto ad esempio da un motore elettrico, da un riduttore e da un sistema meccanico di trasmissione che aziona la valvola.

Possono essere presenti vari componenti ausiliari quali fine corsa di sicurezza meccanici ed elettrici, sistemi di azionamento manuale.



ESEMPIO DI CONTROLLO PER VALVOLA V0

Il regolatore determina in base alla dinamica del processo l'uscita di pilotaggio per la valvola corrispondente alla apertura della stessa in modo tale da mantenere il valore desiderato della variabile di processo.

Parametri caratteristici per il controllo valvole

- Tempo attuatore ($A_c.t$) è il tempo impiegato dalla valvola per passare da tutta aperta a tutta chiusa (o viceversa), impostabile con risoluzione di un secondo. E' una caratteristica meccanica dell'insieme valvola + attuatore.

NOTA: se la corsa dell'attuatore è limitata meccanicamente occorre ridurre proporzionalmente il valore $A_c.t$.

- Minimo impulso ($t.Lo$) espresso in % del tempo attuatore (risoluzione 0.1%).

Rappresenta la variazione minima di posizione corrispondente ad una variazione minima di potenza fornita dallo strumento sotto la quale l'attuatore non risponde fisicamente al comando. Aumentando $t.Lo$ si diminuisce l'usura dell'attuatore con minore precisione nel posizionamento. La minima durata dell'impulso è impostabile in $t.on$ espresso in % del tempo attuatore.

- Soglia di intervento impulsivo ($t.Hi$) espressa in % del tempo attuatore (risoluzione 0.1%) rappresenta lo scostamento di posizione (posizione richiesta - posizione reale) sotto il quale la richiesta di manovra diventa impulsiva.

Si può scegliere tra 2 tipologie di manovra:

1) tempo di ON dell'impulso = $t.on$ e tempo di OFF proporzionale allo scostamento e maggiore o uguale al $t.Lo$ (si consiglia di impostare $t.on = t.Lo$) (impostare $t.oF = 0$).

2) tempo di ON dell'impulso = $t.oF$ e tempo di OFF = $t.oF$. Un valore impostato in $t.oF < t.on$ viene forzato a $t.on$. Per attivare questa tipologia impostare $t.oF >> 0$.

Il tipo di avvicinamento impulsivo permette un controllo fine della valvola retroazionata, da potenziometro o meno, utile specialmente nei casi di inerzia meccanica elevata. Impostando $t.Hi = 0$ si esclude la modulazione in posizionamento.

- Zona morta ($dE.b$) è una banda di scostamento tra il setpoint di regolazione e la variabile di processo entro la quale il regolatore non fornisce nessun comando alla valvola (Apri = OFF; Chiudi = OFF). E' espressa in percentuale del fondo scala ed è posizionata al di sotto del setpoint. La zona morta è utile a processo assestato per non sollecitare l'attuatore con ripetuti comandi con risultato irrilevante sulla regolazione. Impostando $dE.b = 0$ la zona morta è esclusa.

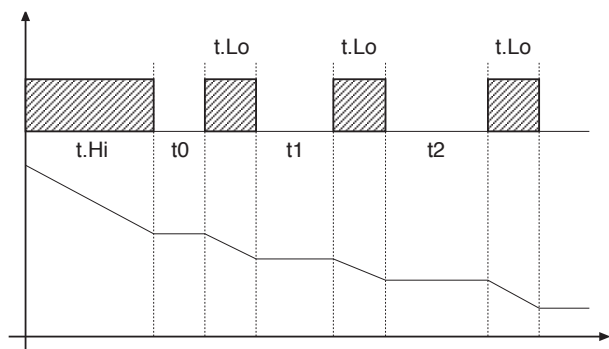


Grafico relativo al comportamento, all'interno della banda con tempo integrale $\neq 0$.

Con tempo integrale = 0 il tempo di ON dell'impulso è sempre uguale al tempo di OFF.

$t0 = t.Lo$

Modi di controllo valvola

Con il regolatore in manuale, l'impostazione del parametro $A.ty \geq 8$ permette la gestione diretta dei comandi apri e chiudi valvola attraverso i tasti Incrementa e Decrementa posti sul frontale.

I tipi di controllo selezionabili mediante il parametro A.ty sono:

V0 - per valvola flottante senza potenziometro;

Il modello V0 ha il seguente comportamento: ogni richiesta di manovra maggiore del minimo impulso t.Lo viene inviata all'attuatore tramite i relè APRI/CHIUDI, ogni azione aggiorna la posizione presunta del potenziometro virtuale calcolato in base al tempo dichiarato di corsa attuatore. In questo modo si ha sempre una posizione presunta della valvola che viene comparata con la richiesta di posizione del controllore.

Raggiunta una posizione estrema presunta (tutta aperta o tutta chiusa determinata dal "potenziometro virtuale") il regolatore fornisce un comando nella stessa direzione assicurando in questo modo il raggiungimento della posizione reale estrema (il tempo minimo del comando = t.on).

Gli attuatori sono normalmente protetti contro il comando APRI in posizione tutto aperto o CHIUDI in posizione tutto chiuso.

V3 - per valvola flottante, controllo PI

Quando la differenza tra posizione calcolata dal regolatore e la sola componente proporzionale supera il valore corrispondente al minimo impulso t.Lo il regolatore fornisce un comando di APRI o CHIUDI della durata del minimo impulso stesso (t.Lo).

Ad ogni erogazione la componente integrale del comando viene azzerata (scarico dell'integrale).

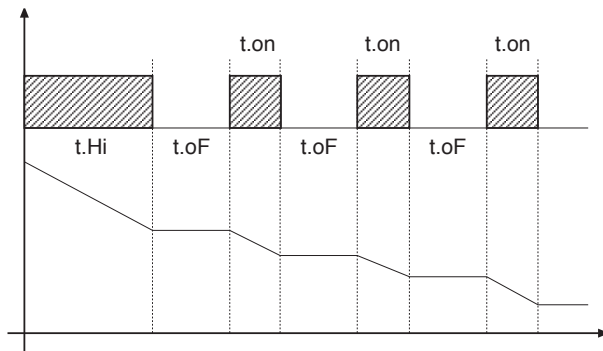
La frequenza e la durata degli impulsi è correlata al tempo integrale (h.it oppure c.it).

Comportamento non impulsivo

$t_Hi = 0$: in condizione di power = 100% o 0.0% le uscite corrispondenti di apri o chiudi rimangono sempre abilitate (condizione di sicurezza).

Comportamento impulsivo

$t_Hi <> 0$: in condizione di raggiungimento posizione corrispondente a 100% o 0.0% le uscite corrispondenti di apri o chiudi vengono spente.



Se $t.oF = 0$ si mantiene la funzionalità attuale.

Se $t.oF \neq 0$ la modalità a impulsi sarà come da grafico

10 • AZIONI DI CONTROLLO

Azione Proporzionale:

azione in cui il contributo sull'uscita è proporzionale alla deviazione in ingresso (Deviazione è lo scostamento fra variabile regolata e valore desiderato).

Azione Derivativa:

azione in cui il contributo sull'uscita è proporzionale alla velocità di variazione della deviazione in ingresso.

Azione Integrale:

azione in cui il contributo sull'uscita è proporzionale all'integrale nel tempo della deviazione di ingresso.

Influenza delle azioni Proporzionale, Derivativa ed Integrale sulla risposta del processo sotto controllo

* L'aumento della Banda Proporzionale riduce le oscillazioni ma aumenta la deviazione.

* La diminuzione della Banda Proporzionale riduce la deviazione ma provoca oscillazioni della variabile regolata (valori troppo bassi della Banda Proporzionale rendono il sistema instabile).

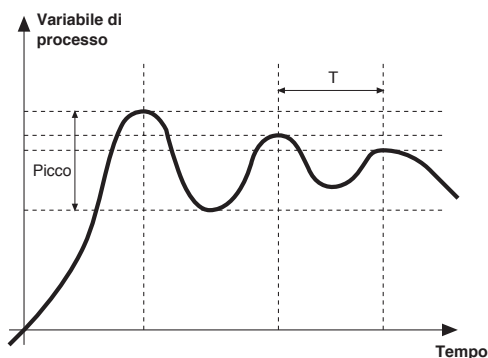
* L'aumento dell'Azione Derivativa, corrispondente ad un aumento del Tempo Derivativo, riduce la deviazione ed evita oscillazioni fino ad un valore critico del Tempo Derivativo oltre il quale aumenta la deviazione e si verificano oscillazioni prolungate.

* L'aumento dell'Azione Integrale, corrispondente ad una diminuzione del Tempo Integrale, tende ad annullare la deviazione a regime fra variabile regolata e valore desiderato (set-point).

Se il valore del Tempo Integrale è troppo lungo (Azione Integrale debole) è possibile una persistenza della deviazione tra variabile regolata e valore desiderato.

Per avere ulteriori informazioni relative alle azioni di controllo contattare GEFTRAN.

- A) Impostare il set-point al valore operativo.
- B) Impostare la banda proporzionale al valore 0,1% (con regolazione di tipo on-off).
- C) Commutare in automatico ed osservare l'andamento della variabile; si otterrà un comportamento simile a quello di figura:



D) Calcolo dei parametri PID: Valore di banda proporzionale

$$P.B. = \frac{\text{Picco}}{V \text{ massimo} - V \text{ minimo}} \times 100$$

(V massimo - V minimo) è il range di scala.

Valore di tempo integrale $I_t = 1,5 \times T$

Valore di tempo derivativo $d_t = I_t/4$

E) Commutare in manuale il regolatore, impostare i parametri calcolati, (riabilitare la regolazione PID impostando un eventuale tempo di ciclo per uscita relè), commutare in automatico.

F) Se possibile, per valutare l'ottimizzazione dei parametri, cambiare il valore di set-point e controllare il comportamento transitorio; se persiste un'oscillazione aumentare il valore di banda proporzionale, se invece si dimostra una risposta troppo lenta diminuirne il valore.

12 • GRADIENTE DI SET

GRADIENTE DI SET: se impostato $\neq 0$, all'accensione e al passaggio auto/man il set point è assunto uguale a PV, con gradiente impostato raggiunge il set locale.

Ogni variazione di set è soggetta a gradiente.

Il gradiente di set è inibito all'accensione quando è abilitato il self tuning.

Se il gradiente di set è impostato $\neq 0$, questo è attivo anche sulle variazioni di set point locale.

Il set point di regolazione raggiunge il valore impostato con una velocità definita dal gradiente.

13 • ACCENSIONE / SPEGNIMENTO SOFTWARE

Come spegnere: tramite la combinazione di tasti " F " e " Incrementa " premuti insieme per 5 secondi è possibile disattivare lo strumento, che si predispone in stato di " OFF " assumendo un comportamento simile allo strumento spento, senza togliere l'alimentazione di rete, mantenendo attiva la visualizzazione della variabile di processo, il display SV è spento.

Tutte le uscite (regolazione e allarmi) sono in stato di OFF (livello logico 0, relè diseccitati) e tutte le funzioni dello strumento sono inibite eccetto la funzione di " ACCENSIONE " .

Come accendere: premendo il tasto " F " per 5 secondi lo strumento passa dallo stato di " OFF " in quello di " ON ". Se durante lo stato di " OFF " viene tolta la tensione di rete, alla successiva accensione (power-up) lo strumento si predispone nello stesso stato di " OFF "; (lo stato di " ON/OFF " viene memorizzato). La funzione è normalmente abilitata; per disabilitarla impostare il parametro Prot = Prot +16.

14 • SELF-TUNING

La funzione è valida per sistemi di tipo a singola azione (o caldo o freddo).

L'attivazione del self-tuning ha come scopo il calcolo dei parametri ottimali di regolazione in fase di avviamento del processo, la variabile (esempio temperatura) deve essere quella assunta a potenza nulla (temperatura ambiente).

Il controllore fornisce il massimo di potenza impostata sino al raggiungimento di un valore intermedio tra il valore di partenza e il set-point, quindi azzerata la potenza. Dalla valutazione della sovraelongazione e del tempo per raggiungere il picco, vengono calcolati i parametri PID.

La funzione così completata si disinscrive automaticamente, la regolazione prosegue nel raggiungimento del set-point.

Come attivare il selftuning:

A. Attivazione all' accensione

1. Impostare il setpoint al valore desiderato
2. Abilitare il selftuning impostando il parametro **Stun** al valore 2 (menù CFG)
3. Spegnerlo lo strumento
4. Assicurarsi che la temperatura sia prossima alla temperatura ambiente
5. Riaccendere lo strumento

B. Attivazione da tastiera

1. Assicurarsi che il tasto M/A sia abilitato per la funzione Start/Stop selftuning (codice **but** = 6 menù Hrd)
2. Portare la temperatura prossima alla temperatura ambiente
3. Impostare il setpoint al valore desiderato

4. Premere il tasto M/A per attivare il selftuning. (Attenzione: ad una nuova pressione del tasto il selftuning è interrotto)

La procedura si svolge automaticamente fino all' esaurimento. Al termine sono memorizzati i nuovi parametri PID: banda proporzionale, tempi integrale e derivato calcolati per l' azione attiva (caldo o freddo). In caso di doppia azione (caldo + freddo) i parametri dell'azione opposta sono calcolati mantenendo il rapporto iniziale tra i rispettivi parametri. (esempio: $Cpb = Hpb \times K$; dove $K = Cpb / Hpb$ al momento dell' avviamento del selftuning). Dopo l' esaurimento il codice **Stun** è annullato automaticamente.

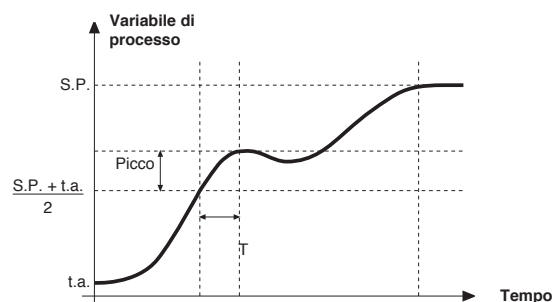
Note:

- La procedura non si attiva se la temperatura è superiore al set-point per controllo tipo caldo, o se è inferiore al set-point per controllo tipo freddo.

In tale caso il codice **Stu** non è annullato.

- Si consiglia di abilitare uno dei led configurabili per la segnalazione dello stato di selftuning. Impostando nel menù Hrd uno dei parametri Led1, Led2, Led3 = 4 o 20, si ha il rispettivo led acceso o lampeggiante durante la fase di selftuning attivo.

N.B.: Azione non considerata nel tipo di controllo ON/OFF



• Cavo Interfaccia per configurazione strumenti

KIT PC USB / RS485 o TTL



Kit per PC fornito di porta USB (ambiente Windows) per configurazione strumentazione GEFTRAN

- Permette di leggere o scrivere tutti i parametri
- Un solo software per tutti i modelli.
 - Configurazione facile e veloce del prodotto.
 - Funzioni di copia/incolla, salvataggio ricette, trend.
 - Trend on-line e di memorizzazione dati storici

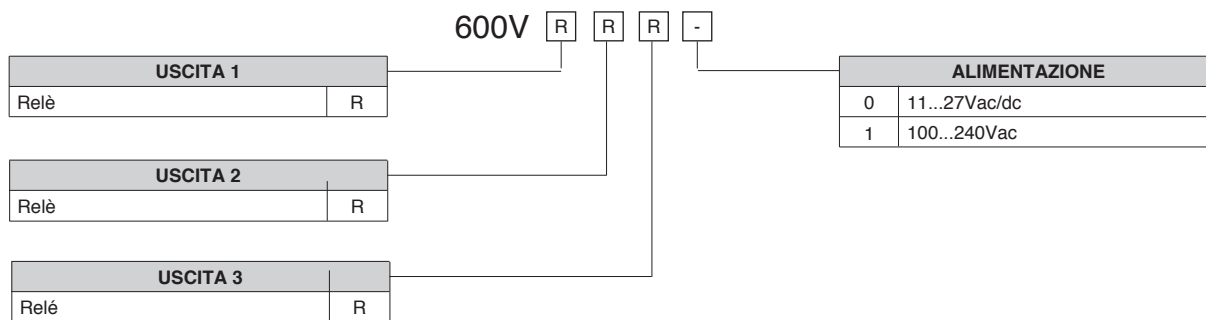
Kit composto da:

- Cavo per collegamento PC USB ... porta TTL
- Cavo per collegamento PC USB ... porta seriale RS485
- Convertitore di linee seriali
- CD installazione SW GF Express

• SIGLA DI ORDINAZIONE

GF_eXK-2-0-0	cod F049095
--------------	-------------

16 • SIGLA DI ORDINAZIONE



• AVVERTENZE

! ATTENZIONE: Questo simbolo indica pericolo. E' visibile in prossimità dell'alimentazione e dei contatti dei relè che possono essere sottoposti a tensione di rete

Prima di installare, collegare od usare lo strumento leggere le seguenti avvertenze:

- collegare lo strumento seguendo scrupolosamente le indicazioni del manuale
- effettuare le connessioni utilizzando sempre tipi di cavo adeguati ai limiti di tensione e corrente indicati nei dati tecnici
- lo strumento NON è dotato di interruttore On/Off, quindi si accende immediatamente all'applicazione dell'alimentazione; per esigenze di sicurezza le apparecchiature collegate permanentemente all'alimentazione richiedono: interruttore sezionatore bifase contrassegnato da apposito marchio; che questo sia posto in vicinanza all'apparecchio e che possa essere facilmente raggiungibile dall'operatore; un singolo interruttore può comandare più apparecchi
- se lo strumento è collegato ad apparati elettricamente NON isolati (es. termocoppie), si deve effettuare il collegamento di terra con uno specifico conduttore per evitare che questo avvenga direttamente tramite la struttura stessa della macchina
- se lo strumento è utilizzato in applicazioni con rischio di danni a persone, macchine o materiali, è indispensabile il suo abbinamento con apparati ausiliari di allarme. E' consigliabile prevedere inoltre la possibilità di verifica di intervento degli allarmi anche durante il regolare funzionamento
- è responsabilità dell'utilizzatore verificare, prima dell'uso, la corretta impostazione dei parametri dello strumento, per evitare danni a persone o cose
- lo strumento NON può funzionare in ambienti con atmosfera pericolosa (inflammabile o esplosiva); può essere collegato ad elementi che operano in tale atmosfera solamente tramite appropriati e opportuni tipi di interfaccia, conformi alle locali norme di sicurezza vigenti
- lo strumento contiene componenti sensibili alle cariche elettrostatiche, pertanto la manipolazione delle schede elettroniche in esso contenute deve essere effettuata con opportuni accorgimenti, al fine di evitare danni permanenti ai componenti stessi

Installazione: categoria di installazione II, grado di inquinamento 2, doppio isolamento

L'apparecchio è stato progettato per installazioni permanenti al coperto e per essere montato su un pannello di un quadro elettrico in grado di proteggere i terminali esposti sul retro dell'apparecchio.

- solo per alimentazione a bassa tensione: l'alimentazione deve provenire da una sorgente in classe due o a bassa tensione ad energia limitata.
 - le linee di alimentazione devono essere separate da quelle di ingresso e uscita degli strumenti; controllare sempre che la tensione di alimentazione corrisponda a quella indicata nella sigla riportata sull'etichetta dello strumento
 - raggruppare la strumentazione separatamente dalla parte di potenza e dei relè
 - evitare che nello stesso quadro coesistano: teleruttori ad alta potenza, contattori, relè; gruppi di potenza a tiristori, in particolare " a sfasamento "; motori, etc.
 - evitare la polvere, l'umidità, i gas corrosivi, le fonti di calore
 - non occludere le fessure di areazione, la temperatura di lavoro deve rientrare nell'intervallo 0 ... 50°C
 - temperatura massima ambiente: 50°C
 - utilizzare cavi di collegamento rame 60/75°C, diametro 2x No 22-14 AWG
 - utilizzare terminali per coppie di serraggio 0,5Nm
- Se lo strumento è equipaggiato di contatti tipo faston è necessario che questi siano del tipo protetto isolati; se equipaggiato di contatti a vite è necessario provvedere all'ancoraggio dei cavi almeno a coppie.

• **alimentazione:** proveniente da un dispositivo di sezionamento con fusibile per la parte strumenti; l'alimentazione degli strumenti deve essere la più diretta possibile partendo dal sezionatore ed inoltre: non essere utilizzata per comandare relè, contattori, elettrovalvole, etc.; quando è fortemente disturbata dalla commutazione di gruppi di potenza a tiristori o da motori, è opportuno un trasformatore di isolamento solo per gli strumenti, collegandone lo schermo a terra; è importante che l'impianto abbia un buon collegamento di terra, la tensione tra neutro e terra non sia >1V e la resistenza Ohmica sia <60Ω; se la tensione di rete è fortemente variabile, alimentare con uno stabilizzatore di tensione; in prossimità di generatori ad alta frequenza o saldatrici ad arco, impiegare filtri di rete; le linee di alimentazione devono essere separate da quelle di ingresso e uscita degli strumenti; controllare sempre che la tensione di alimentazione corrisponda a quella indicata nella sigla riportata sull'etichetta dello strumento

• **collegamento ingressi e uscite:** i circuiti esterni collegati devono rispettare il doppio isolamento; per collegare gli ingressi analogici (TC, RTD) è necessario: separare fisicamente i cavi degli ingressi da quelli di alimentazione, delle uscite e dai collegamenti di potenza; utilizzare cavi intrecciati e schermati, con schermo collegato a terra in un solo punto; per collegare le uscite di regolazione, di allarme (contattori, elettrovalvole, motori, ventilatori, etc.) montare gruppi RC (resistenza e condensatore in serie) in parallelo ai carichi induttivi che lavorano in alternata (*Nota: tutti i condensatori devono essere conformi alle norme VDE (classe x2) e sopportare una tensione di almeno 220Vac. Le resistenze devono essere almeno di 2W*); montare un diodo 1N4007 in parallelo alla bobina dei carichi induttivi che lavorano in continua

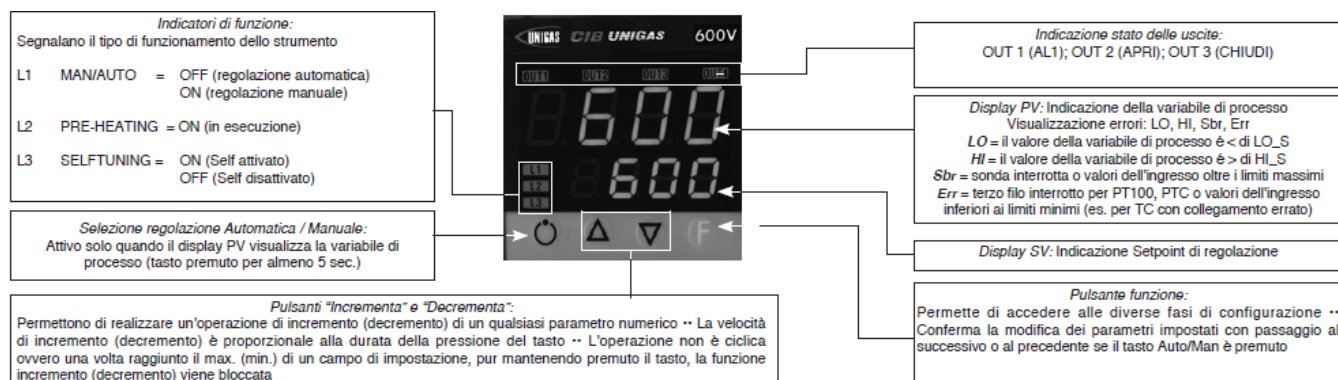
La GEFTRAN spa non si ritiene in alcun caso responsabile per i danni a persone o cose derivati da manomissioni, da un uso errato, improprio e comunque non conforme alle caratteristiche dello strumento.

Configurazione regolatore 600V RRR0-1-T73

Impostazioni per sonda di temperatura Pt100 per acqua calda (ex Siemens QAE2120 130°C max.)

Lo strumento esce già di fabbrica con questi valori corrispondenti al Siemens RWF40.000 e RWF50.2x

Verificare collegamenti elettrici sensore



Impostazione set-point = 80

Per modificarlo direttamente con le frecce su e giù si modifica il valore del set-point.

Premendo **F** si va al parametro:

Hy.P	5 (isteresi positiva per uscita 1 morsetti 21-22 (ex Q13-Q14))
Hy.n	-5 (isteresi negativa per uscita 1 morsetti 21-22 (ex Q13-Q14))

Tenere premuto **F** fino a che non visualizzo **PASS**, rilascio **F** e con le frecce imposto **99**, premere **F** e visualizza **Pro** (codice di protezione) di default **12**, con le frecce impostare **128** e premere **F** e tenerlo premuto fino a che non si visualizzano tutti i gruppi di parametri : **InF**, **CFG**, **InP**, **Out**, **PASS**

CFG	
S.tun	0
hPb	1,2
hIt	5,83
hdt	1,33
...	

InP	
...	
tyP	30 (Pt100)
...	
dP_S	1 (num. decimali)
Lo.S	0 (min. scala sensore)
Hi.S	850,0 (max scala sensore)
oFS	0 (offset di correzione ingresso)
Lo.L	30,0 (limite inferiore impostazione set-point)
Hi.L	130,0 (limite superiore impostazione set-point)

Out	
A1.r	0
...	
A1.t	3 (modo di funzionamento AL1 =inverso-relativo-normale)
...	
rL.1	2 (AL1)
rL.2	18 (open)
rL.3	19 (close)
rEL	0
A.ty	9 (tipo di controllo servocomando)
Ac.t	12 (tempo corsa servocomando: SQN72.4.../STA12..=12; SQM40.265=30)
t Lo	2
t Hi	0.0
t.on	2
t.oF	0.0
dE.b	0,1 (zona morta in percentuale del fondo scala)

PAS	99 poi premere e tenere premuto F fino a visualizzare Hrd
Hrd	
...	
Ctrl	6 (PID caldo)
AL.nr	1
but	1
diSP	0
Ld.1	1
Ld.2	28
Ld.3	20

Tenere premuto **F** fino a che non visualizzo **PASS**, rilascio **F** e con le frecce imposto **99**, premere **F** e visualizza **Pro** (codice di protezione) da **128**, con le frecce riportarlo a **12** e premere **F** e tenerlo premuto fino a ritornare alla visualizzazione del valore di processo e del valore di set-point .

Funzionamento manuale :

Premendo e tenendo premuto il tasto in basso a sinistra per almeno 5 sec.

Lo strumento si porta in manuale (vedi anche accensione Ld1).

Con le frecce si attivano direttamente le uscite Open e Close .

Per ritornare al funzionamento normale tenere premuto il tasto in basso a sinistra per almeno 5 sec.

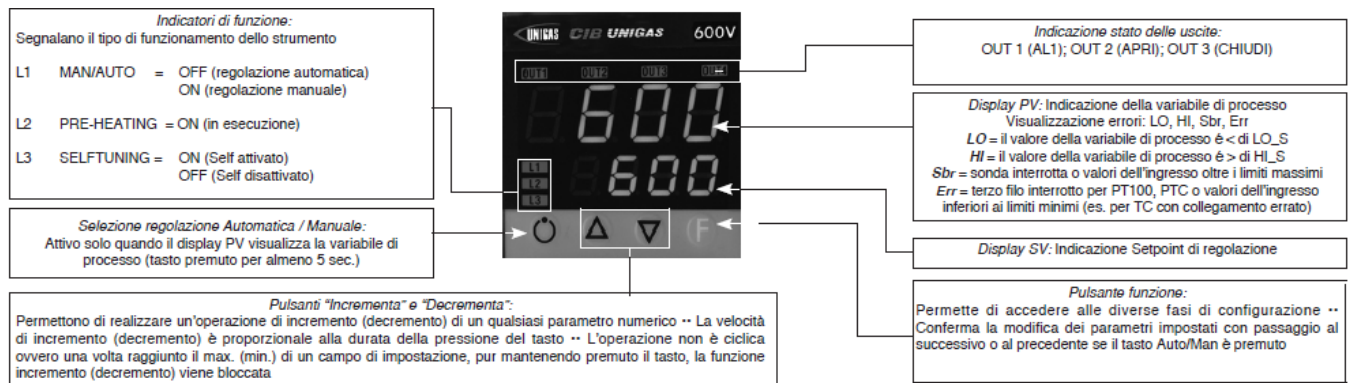
Spegnimento software :

Tenendo premuti i tasti **freccia su + F** per più di 5 sec. Lo strumento spegne il software, non comanda più le uscite e visualizza solamente la variabile di processo misurata dalla sonda.

Per ripristinare tenere premuto il tasto **F** per più di 5 sec.

Impostazioni per sonda di temperatura Pt100 per alta temperatura (350°C max.)

Verificare collegamenti elettrici sensore



Impostazione set-point = 80

Per modificarlo direttamente con le frecce su e giù si modifica il valore del set-point.

Premendo **F** si va al parametro:

Hy.P	10 (isteresi positiva per uscita 1 morsetti 21-22 (ex Q13-Q14))
Hy.n	-5 (isteresi negativa per uscita 1 morsetti 21-22 (ex Q13-Q14))

Tenere premuto **F** fino a che non visualizzo **PASS**, rilascio **F** e con le frecce imposto **99**, premere **F** e visualizza **Pro** (codice di protezione) di default **12**, con le frecce impostare **128** e premere **F** e tenerlo premuto fino a che non si visualizzano tutti i gruppi di parametri : **InF, CFG, InP, Out, PASS**

CFG	
S.tun	0
hPb	1,2
hIt	5,83
hdt	1,33
...	

InP	
....	
tyP	30 (Pt100)
...	
dP_S	1 (num. decimali)
Lo.S	0 (min. scala sensore)
Hi.S	850,0 (max scala sensore)
oFS	0 (offset di correzione ingresso)
Lo.L	0,0 (limite inferiore impostazione set-point)
Hi.L	350,0 (limite superiore impostazione set-point)

Out	
A1.r	0
...	
A1.t	3 (modo di funzionamento AL1 =inverso-relativo-normale)
...	
rL.1	2 (AL1)
rL.2	18 (open)
rL.3	19 (close)
rEL	0
A.ty	9 (tipo di controllo servocomando)
Ac.t	12 (tempo corsa servocomando: SQN72.4.../STA12..=12; SQM40.265=30)
t Lo	2
t Hi	0.0
t.on	2
t.oF	0.0
dE.b	0,1 (zona morta in percentuale del fondo scala)

PAS	99 poi premere e tenere premuto F fino a visualizzare Hrd
Hrd	
...	
Ctrl	6 (PID caldo)
AL.nr	1
but	1
diSP	0
Ld.1	1
Ld.2	28
Ld.3	20

Tenere premuto **F** fino a che non visualizzo **PASS**, rilascio **F** e con le frecce imposto **99**, premere **F** e visualizza **Pro** (codice di protezione) da **128**, con le frecce riportarlo a **12** e premere **F** e tenerlo premuto fino a ritornare alla visualizzazione del valore di processo e del valore di set-point .

Funzionamento manuale :

Premendo e tenendo premuto il tasto in basso a sinistra per almeno 5 sec.

Lo strumento si porta in manuale (vedi anche accensione Ld1).

Con le frecce si attivano direttamente le uscite Open e Close .

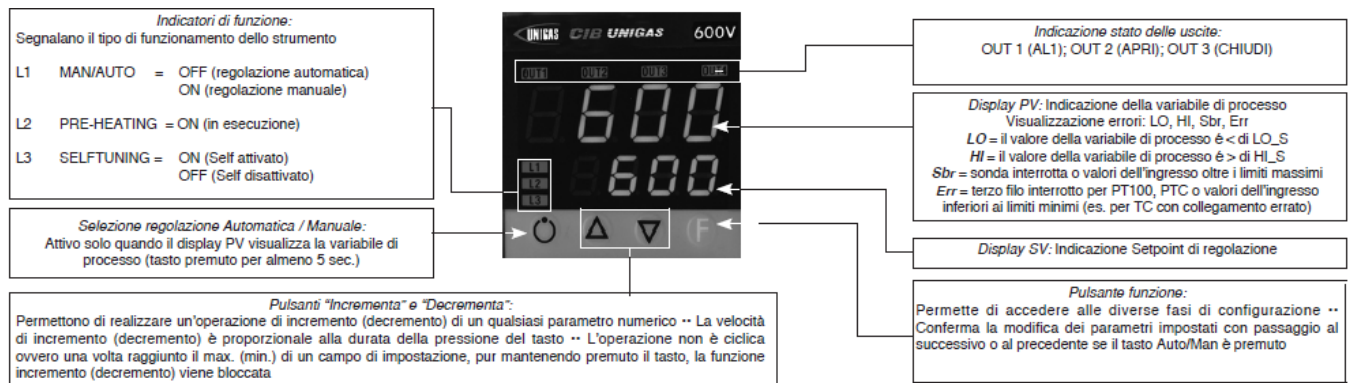
Per ritornare al funzionamento normale tenere premuto il tasto in basso a sinistra per almeno 5 sec.

Spegnimento software :

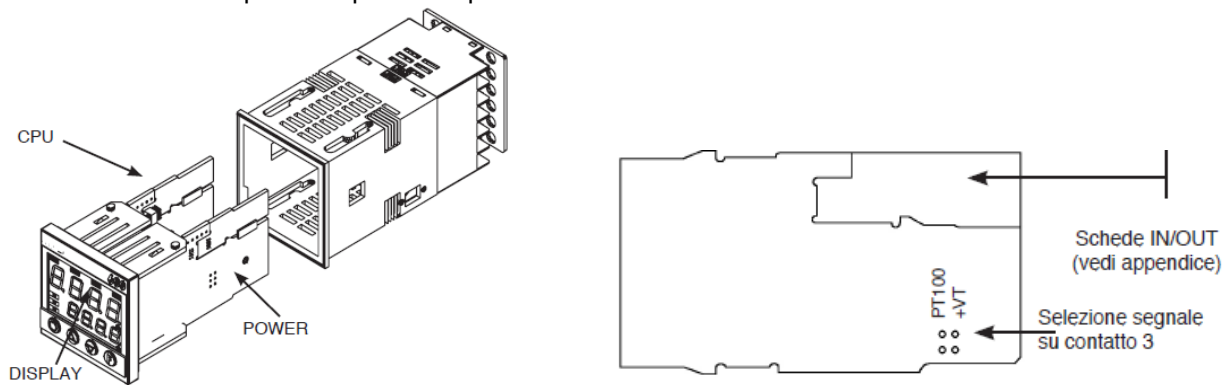
Tenendo premuti i tasti **freccia su + F** per più di 5 sec. Lo strumento spegne il software, non comanda più le uscite e visualizza solamente la variabile di processo misurata dalla sonda.

Per ripristinare tenere premuto il tasto **F** per più di 5 sec.

Impostazioni per trasduttore di pressione a 2 fili con segnale 4÷20mA



Con i trasduttori di pressione bisogna prima abilitare l'alimentazione del trasduttore: togliere il frutto e sulla scheda CPU dal lato componenti spostare il ponticello da Pt100 a +Vt



Verificare collegamenti elettrici sensore

Impostazione set-point

Trasduttore	1,6bar	3bar	10bar	16bar	25bar	40bar
Set-point	1bar	1,5bar	6bar	6bar	6bar	6bar

Per modificarlo direttamente con le frecce su e giù si modifica il valore del set-point.

Premendo **F** si va al parametro:

Trasduttore	1,6bar	3bar	10bar	16bar	25bar	40bar
Hy.P	0,2bar	0,5bar	0,5bar	0,8bar	1,25bar	2bar
Hy.n	0bar	0bar	0bar	0bar	0bar	0bar

Tenere premuto **F** fino a che non visualizzo **PASS**, rilascio **F** e con le frecce imposto **99**, premere **F** e visualizza **Pro** (codice di protezione) di default **12**, con le frecce impostare **128** e premere **F** e tenerlo premuto fino a che non si visualizzano tutti i gruppi di parametri : **InF, CFG, InP, Out, PASS**

CFG	
S.tun	0
hPb	5
hIt	1,33
hdt	0,33
...	

InP	
....	
tyP	44 (4÷20mA)
...	
dP_S	2 (num. decimali)

Trasduttore	1,6bar	3 bar	10bar	16bar	25bar	40bar	
Lo.S	0,00	0,00	0,00	0,00	0,00	0,00	min. scala sensore
Hi.S	1,60	3,00	10,00	16,00	25,00	40,00	max scala sensore
oFS	0	0	0	0	0	0	offset di correzione ingresso
Lo.L	0,00	0,00	0,00	0,00	0,00	0,00	Limite inferiore impostazione set-point
Hi.L	1,60	3,00	10,00	16,00	25,00	40,00	limite superiore impostazione set-point

Out	
A1.r	0
...	
A1.t	3 (modo di funzionamento AL1 =inverso-relativo-normale)
...	
rL.1	2 (AL1)
rL.2	18 (open)
rL.3	19 (close)
rEL	0
A.ty	9 (tipo di controllo servocomando)
Ac.t	12 (tempo corsa servocomando: SQN72.4.../STA12..=12; SQM40.265=30)
t_Lo	2
t_Hi	0.0
t.on	2
t.oF	0.0
dE.b	0,1 (zona morta in percentuale del fondo scala)

PAS	99 poi premere e tenere premuto F fino a visualizzare Hrd
Hrd	
...	
Ctrl	6 (PID caldo)
AL.nr	1
but	1
diSP	0
Ld.1	1
Ld.2	28
Ld.3	20

Tenere premuto **F** fino a che non visualizzo **PASS**, rilascio **F** e con le frecce imposto **99**, premere **F** e visualizza **Pro** (codice di protezione) da **128**, con le frecce riportarlo a **12** e premere **F** e tenerlo premuto fino a ritornare alla visualizzazione del valore di processo e del valore di set-point .

Funzionamento manuale :

Premendo e tenendo premuto il tasto in basso a sinistra per almeno 5 sec.

Lo strumento si porta in manuale (vedi anche accensione Ld1).

Con le frecce si attivano direttamente le uscite Open e Close .

Per ritornare al funzionamento normale tenere premuto il tasto in basso a sinistra per almeno 5 sec.

Spegnimento software :

Tenendo premuti i tasti **freccia su + F** per più di 5 sec. Lo strumento spegne il software, non comanda più le uscite e visualizza solamente la variabile di processo misurata dalla sonda.Per ripristinare tenere premuto il tasto **F** per più di 5 sec.

Impostazioni per sonda di temperatura termocoppia **K o J**

Verificare collegamenti elettrici sensore



Impostazione set-point = **80**

Per modificarlo direttamente con le frecce su e giù si modifica il valore del set-point.

Premendo **F** si va al parametro:

Hy.P	10 (isteresi positiva per uscita 1 morsetti 21-22 (ex Q13-Q14))
Hy.n	-5 (isteresi negativa per uscita 1 morsetti 21-22 (ex Q13-Q14))

Tenere premuto **F** fino a che non visualizzo **PASS**, rilascio **F** e con le frecce imposto **99**, premere **F** e visualizza **Pro** (codice di protezione) di default **12**, con le frecce impostare **128** e premere **F** e tenerlo premuto fino a che non si visualizzano tutti i gruppi di parametri : **InF, CFG, InP, Out, PASS**

CFG	
S.tun	0
hPb	1,2
hIt	5,83
hdt	1,33
...	

InP	
....	
tyP	2 (termocoppia K 0÷1300°C) / 0 (termocoppia J 0÷1000°C)
...	
dP_S	0 (nessun decimale) / 1 (1 decimale)
Lo.S	0 (min. scala sensore)
Hi.S	1300 (max scala sensore per tc K) / 1000 (max scala sensore tc J)
oFS	0 (offset di correzione ingresso)
Lo.L	0 (limite inferiore impostazione set-point)
Hi.L	1300 (limite superiore impostazione set-point) per tc K / 1000 per tc J

Out	
A1.r	0
...	
A1.t	3 (modo di funzionamento AL1 =inverso-relativo-normale)
...	
rL.1	2 (AL1)
rL.2	18 (open)
rL.3	19 (close)
rEL	0
A.ty	9 (tipo di controllo servocomando)
Ac.t	12 (tempo corsa servocomando: SQN72.4.../STA12..=12; SQM40.265=30)
t Lo	2
t Hi	0.0
t.on	2
t.oF	0.0
dE.b	0,1 (zona morta in percentuale del fondo scala)

PAS	99 poi premere e tenere premuto F fino a visualizzare Hrd
Hrd	
...	
Ctrl	6 (PID caldo)
AL.nr	1
but	1
diSP	0
Ld.1	1
Ld.2	28
Ld.3	20

Tenere premuto **F** fino a che non visualizzo **PASS**, rilascio **F** e con le frecce imposto **99**, premere **F** e visualizza **Pro** (codice di protezione) da **128**, con le frecce riportarlo a **12** e premere **F** e tenerlo premuto fino a ritornare alla visualizzazione del valore di processo e del valore di set-point .

Funzionamento manuale :

Premendo e tenendo premuto il tasto in basso a sinistra per almeno 5 sec.

Lo strumento si porta in manuale (vedi anche accensione Ld1).

Con le frecce si attivano direttamente le uscite Open e Close .

Per ritornare al funzionamento normale tenere premuto il tasto in basso a sinistra per almeno 5 sec.

Spegnimento software :

Tenendo premuti i tasti **freccia su + F** per più di 5 sec. Lo strumento spegne il software, non comanda più le uscite e visualizza solamente la variabile di processo misurata dalla sonda.

Per ripristinare tenere premuto il tasto **F** per più di 5 sec.

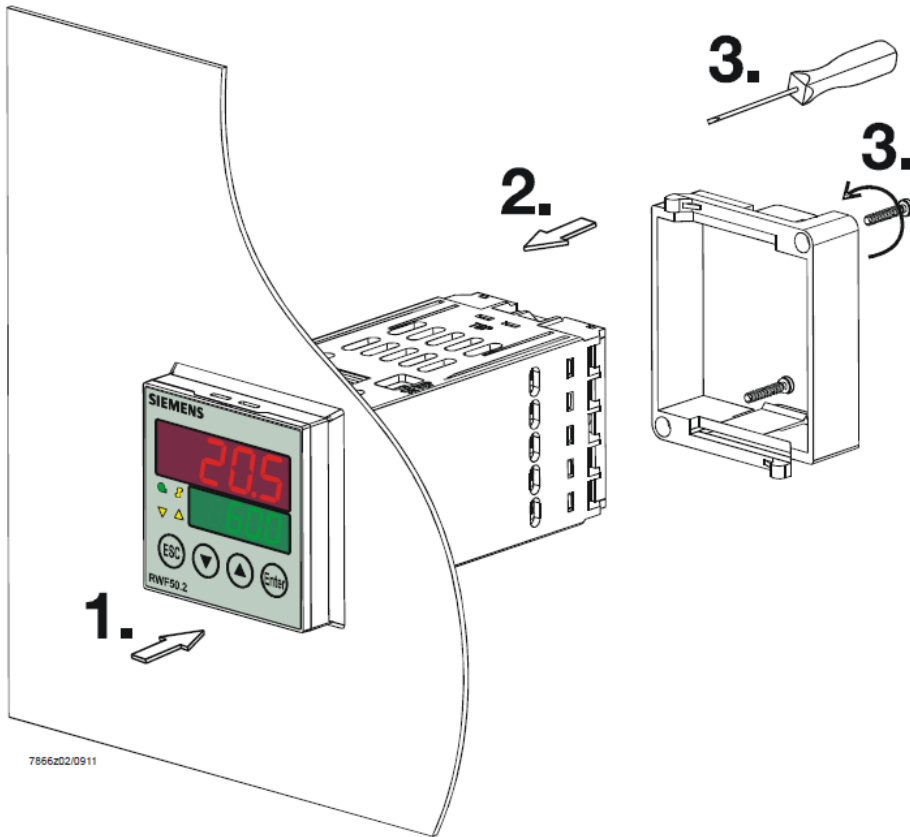
RWF50.2x & RWF50.3x



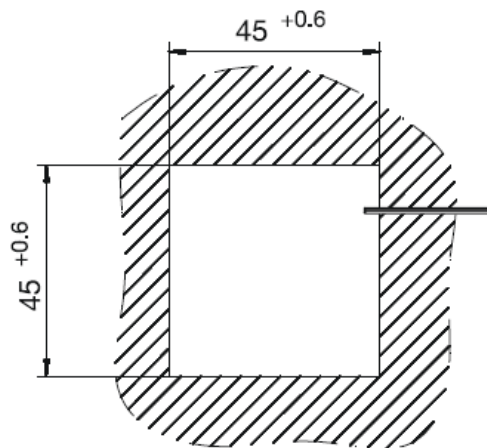
Manuale uso

MONTAGGIO DELLO STRUMENTO

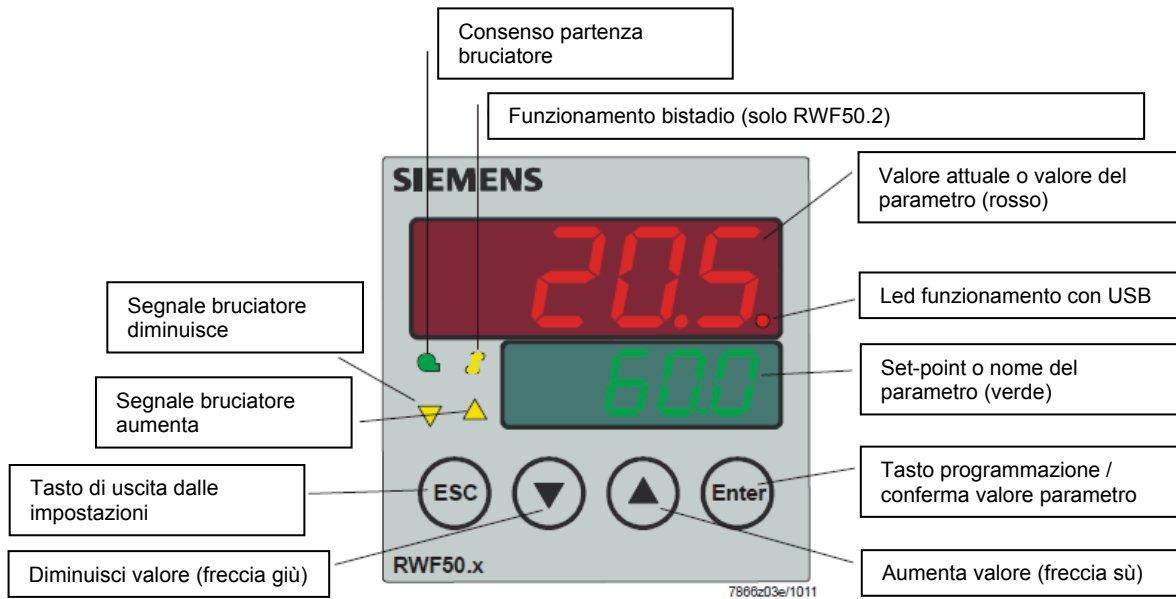
Montare lo strumento utilizzando l'apposito supporto come mostrato in figura. Per i collegamenti elettrici dello strumento e delle sonde seguire le indicazioni riportate negli schemi elettrici del bruciatore.



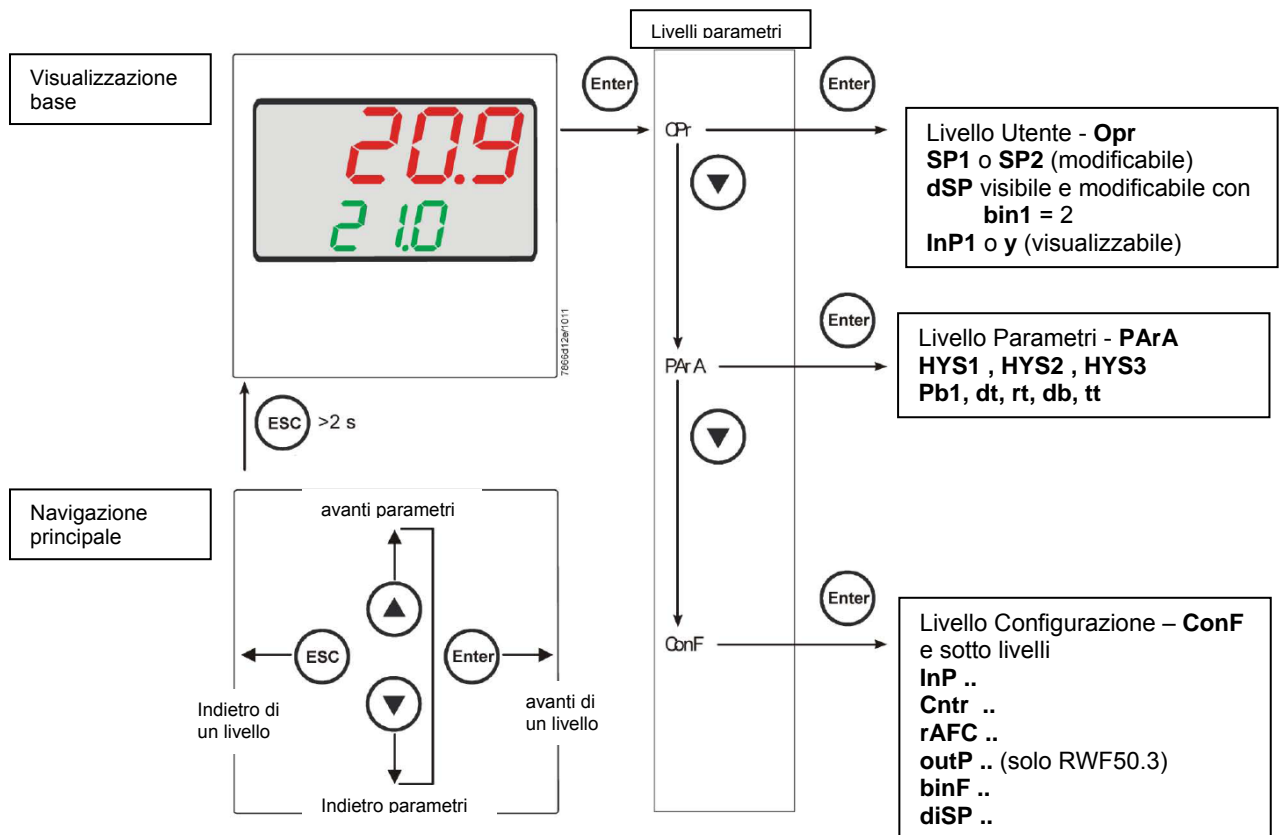
7866202/0911



FRONTALE STRUMENTO



NAVIGAZIONE MENU' STRUMENTO



Lo strumento esce dalla fabbrica già con alcune impostazioni valide per il 90% dei casi, comunque, per impostare o variare i parametri procedere in questo modo:

Impostazione o modifica del valore di set-point:

A bruciatore spento (contatti serie termostati/pressostati aperti, cioè morsetti 3-4 aperti/T1-T2 spina 7 poli) premere il tasto **Enter**, nel display in basso (verde) appare **Opr**, ripremere **Enter**, e nel display in basso (verde) compare **SP1**, ripremere **Enter** ed il display in basso (verde) lampeggia, con le **freccie su e giù** impostare il valore del set-point sul display in alto (rosso). Per confermare il valore premere il tasto **Enter**, quindi **ESC** più volte per uscire e ritornare in funzionamento normale.

Controllo o modifica parametri PID dello strumento (tabella 1 allegata):

- Premere il tasto **Enter** una volta, sul display verde compare la sigla **Opr**, con la **freccia giù** scorrere i livelli fino al gruppo **PArA** e premere **Enter**.
- A questo punto sul display verde compare **Pb1** e sul display rosso il valore impostato.
- Premendo in successione la **freccia giù** o **freccia su** ci si sposta da un parametro all'altro.
- Per cambiare il valore al parametro scelto, premere **Enter** e con la **freccia su** o la **freccia giù** impostare il valore desiderato, quindi premere **Enter** per confermare.

Parametro	Display	Campo valori	Taratura iniziale	Note
Banda proporzionale	PB.1	1... 9999 digit	10	Valore tipico per temperatura
Azione derivativa	dt	0... 9999 sec.	80	Valore tipico per temperatura
Azione integrale	rt	0... 9999 sec.	350	Valore tipico per temperatura
Banda morta (*)	db	0... 999,9 digit	1	Valore tipico
Tempo di corsa servocomando	tt	10... 3000 sec.	15	Impostare tempo di corsa servocomando
Differenziale di accensione (*)	HYS1	0,0... -1999 digit	-5	Valore in meno del set-point che fa riaccendere il bruciatore (1N-1P chiude)
Differenziale spegnimento 2° stadio (*)	HYS2	0,0 ... HYS3	3	(attivo solo con parametro bin1 = 4)
Differenziale superiore di spegnimento (*)	HYS3	0,0... 9999 digit	5	Valore in più del set-point che fa spegnere il bruciatore (1N-1P apre)
Differenziale di accensione in funzionamento raffreddamento (*)	HYS4	0,0... 9999 digit	5	Non usato (attivo solo con parametro CACT = 0)
Differenziale accensione 2° stadio in funzionamento raffreddamento (*)	HYS5	HYS6...0,0 digit	5	Non usato (attivo solo con parametro CACT = 0 e con parametro bin1 = 4)
Differenziale superiore di spegnimento in funzionamento raffreddamento (*)	HYS6	0,0... -1999 digit	5	Non usato (attivo solo con parametro CACT = 0)
Ritardo consenso modulazione	q	0,0... 999,9 digit	0	Non modificare

(*) Parametri influenzati dall'impostazione della cifra decimale (**ConF > dISP** parametro **dECP**)

)

Impostazioni tipo sonda da collegare allo strumento:

- Premere il tasto **Enter** una volta, sul display verde compare la sigla **Opr**, con la **freccia giù** scorrere i livelli fino al gruppo **ConF** e premere **Enter**.
- A questo punto sul display verde compare il gruppo di parametri **InP**, premere nuovamente **Enter** e compare il gruppo di parametri **InP1**.
- Premendo il tasto **Enter** ancora una volta, si entra nel gruppo parametri **InP1** e il display verde mostra il parametro **Sen1** (tipo di sensore), il display rosso visualizza il codice corrispondente al sensore impostato.
- A questo punto premendo ancora **Enter** entro nel parametro e con la **freccia su e giù** posso cambiare il valore, una volta scelto, premere **Enter** per confermare e poi **ESC** per uscire dal parametro.
- Una volta configurato il sensore con la **freccia giù** cambio parametro secondo le tabelle sottostanti.

ConF > InP > InP1

Parametro	Valore	Descrizione
SEn1 tipo di sensore ingresso analogico 1	1	Pt100 3 fili
	2	Pt100 2 fili
	3	Pt1000 3 fili
	4	Pt1000 2 fili
	5	Ni1000 3 fili
	6	Ni1000 2 fili
	7	0 ÷ 135 ohm
	15	0 ÷ 20mA
	16	4 ÷ 20mA
	17	0 ÷ 10V
	18	0 ÷ 5V
19	1 ÷ 5V	
OFF1 Offset sensore	-1999.. 0 .. +9999	Correzione valore misurato dal sensore
SCL1 minimo scala	-1999.. 0 .. +9999	minimo valore scala (per ingressi ohm, mA, V)
SCH1 massimo scala	-1999.. 100 .. +9999	massimo valore scala (per ingressi ohm, mA, V)
dF1 filtro digitale	0.. 0,6 ...100	filtro digitale di 2° ordine (tempo in secondi 0 = filtro escluso)
Unit Unità di misura temperatura	1 2	1 = gradi Celsius 2 = gradi Fahrenheit

(valori in **grassetto** = valori di default nello strumento nuovo)

Nota:

I regolatori RWF50.2 e RWF50.3 non supportano come sensore di temperatura le termocoppie. Qualora si dovessero usare dei sensori di temperatura come le termocoppie, consigliamo di utilizzare le versioni con convertitore termocoppia / segnale 4÷20mA incorporato e configurare il regolatore con l'ingresso in corrente 4÷20mA.

ConF > Cntr

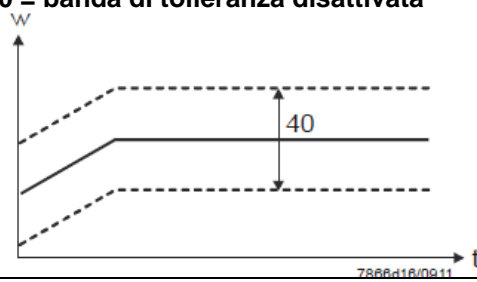
Parametro	Valore	Descrizione
CtYP tipo di regolazione	1 2	1 = uscita 3 punti (apri-stop-chiudi solo con RWF50.2) 2 = uscita continua (solo con RWF50.3)
CACT azione di funzionamento	1 0	1 = azione di riscaldamento 0 = azione di raffreddamento
SPL minimo scala set-point	-1999.. 0 ..+9999	minimo valore scala set-point
SPH massimo scala set-point	-1999.. 100 ..+9999	massimo valore scala set-point
oLLo minimo set-point funzionamento	-1999 +9999	minimo valore set-point di funzionamento
oLHi massimo set-point funzionamento	-1999.... +9999	massimo valore set-point di funzionamento

(valori in **grassetto** = valori di default nello strumento nuovo)

ConF > rAFC

Attivazione protezione shock termica caldaia:

Il regolatore RWF50.. può attivare la funzione di protezione da shock termico, questo solo per impianti con set-point inferiori a 250°C come da parametro **rAL**.

Parametro	Valore	Descrizione
FnCT tipo di controllo	0 1 2	tipo di scala gradi/tempo da scegliere 0 = disattivato 1 = gradi Kelvin/minuto 2 = gradi Kelvin/ora
rASL percentuale di rampa	0,0 ... 999,9	visibile solo se FnCT diverso da 0; pendenza rampa di protezione termica; velocità di salita set-point in °K/minuto o °K/ora a seconda di FnCT .
toLP banda di tolleranza rampa	0 ...9999	larghezza tolleranza rampa (in °K) rispetto al set-point 0 = banda di tolleranza disattivata 
rAL limite rampa	0 ...250	valore limite rampa; questo valore deve essere superiore al set-point ; se il valore reale supera questo valore il set-point andrà in funzione raffreddamento fino al valore di set-point

(valori in **grassetto** = valori di default nello strumento nuovo)

ConF > OutP (gruppo parametri solo con RWF50.3)

Parametro	Valore	Descrizione
FnCt tipo di controllo	1 4	1 = ripetizione ingresso analogico 1 con eventuale conversione del segnale in funzione del parametro SiGn 4 = controllo modulazione
SiGn tipo segnale di uscita	0 1 2	uscita di comando continua (morsetti A+, A-) 0 = 0÷20mA 1 = 4÷20mA 2 = 0÷10V
rOut valore quando fuori range	0...101	segnale in percentuale quando l'ingresso è fuori range
oPnt valore minimo uscita	-1999... 0 ...+9999	valore minimo dell'uscita di comando (morsetti A+, A-) (valido solo con FnCt = 1)
End valore massimo uscita	-1999... 100 ...+9999	valore massimo dell'uscita di comando (morsetti A+, A-) (valido solo con FnCt = 1)

(valori in **grassetto** = valori di default nello strumento nuovo)

ConF > binF

Parametro	Valore	Descrizione
bin1 ingresso digitale (morsetti DG – D1)	0 1 2 4	0 = funzione disabilitata 1 = cambio set-point (SP1 / SP2) 2 = modifica set-point (Opr parametro dSP = valore della modifica set-point) 4 = cambio modo di funzionamento: con ingresso digitale D1 aperto – funzionamento modulante; chiuso – funzionamento 2 stadi.

(valori in **grassetto** = valori di default nello strumento nuovo)

ConF > dISP

Parametro	Valore	Descrizione
diSU display superiore (rosso)	0 1 4 6 7	Valore visualizzato sul display superiore : 0 = display spento 1 = valore ingresso analogico 4 = posizione angolare regolatore 6 = valore set-point 7 = valore finale con protezione shock termico
diSL display inferiore (verde)	0 1 4 6 7	Valore visualizzato sul display inferiore : 0 = display spento 1 = valore ingresso analogico 4 = posizione angolare regolatore 6 = valore set-point 7 = valore finale con protezione shock termico
tout timeout	0..180 ..250	tempo in secondi, in cui il regolatore torna automaticamente alla visualizzazione base se non vengono premuti pulsanti
dECP punto decimale	0 1 2	0 = nessun decimale mostrato 1 = un decimale mostrato 2 = due decimali mostrati
CodE livelli di blocco	0 1 2 3	0 = nessun blocco 1 = blocco livello configurazione (ConF) 2 = blocco livello parametri e configurazione (PArA & ConF) 3 = blocco completo dei tasti

(valori in **grassetto** = valori di default nello strumento nuovo)

Comando manuale del regolatore :

- Per comandare manualmente la potenza del bruciatore, con il bruciatore in funzione, premere il tasto **ESC** per 5 sec., sul display sotto verde compare la scritta **Hand** .
- A questo punto con la **freccia sù** e la **freccia giù** si aumenta o diminuisce la potenza del bruciatore.
- Per uscire dalla modalità manuale premere il tasto **ESC** per 5 sec.
- **NB:** Ogni volta che il regolatore spegne il bruciatore (led consenso partenza spento - contatto 1N-1P aperto) alla riaccensione del bruciatore la funzione manuale è esclusa.

Autoadattamento dello strumento (auto-tuning):

Se il bruciatore a regime non risponde bene alle richieste del generatore di calore si può avviare la funzione di auto taratura dello strumento, il quale provvederà a ricalcolarsi i valori PID più idonei a quel tipo di richieste.



7866204/0911

Per avviare questa funzione procedere così:

Premere contemporaneamente per 5 secondi la **freccia sù** e la **freccia giù** .

Sul display sotto (verde) appare **tUnE**, e lo strumento costringerà il bruciatore a degli aumenti e diminuzioni di potenza.

Durante queste variazioni di potenza lo strumento calcola i parametri PID (banda proporzionale (**Pb1**), tempo derivativo (**dt**), tempo integrale (**rt**). Alla fine del calcolo la funzione **tUnE** si autodisabilita e lo strumento ha memorizzato i nuovi parametri.

Volendo escludere la funzione di autoadattamento una volta iniziata premere nuovamente insieme per 5 secondi la **freccia sù** e la **freccia giù**.

I parametri PID calcolati dallo strumento possono in ogni momento essere modificati manualmente seguendo le istruzioni precedentemente illustrate.

Versione software regolatore :

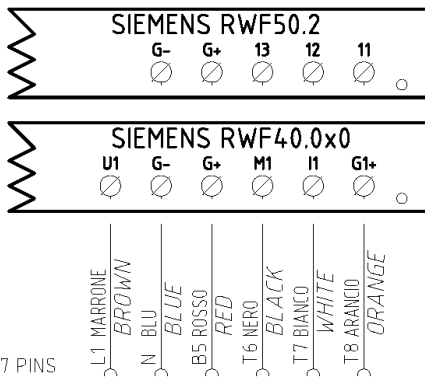


7866205/0911

Per visualizzare la versione software dello strumento premere **Enter + freccia sù** .
Il regolatore mostrerà nel display superiore la versione del software.

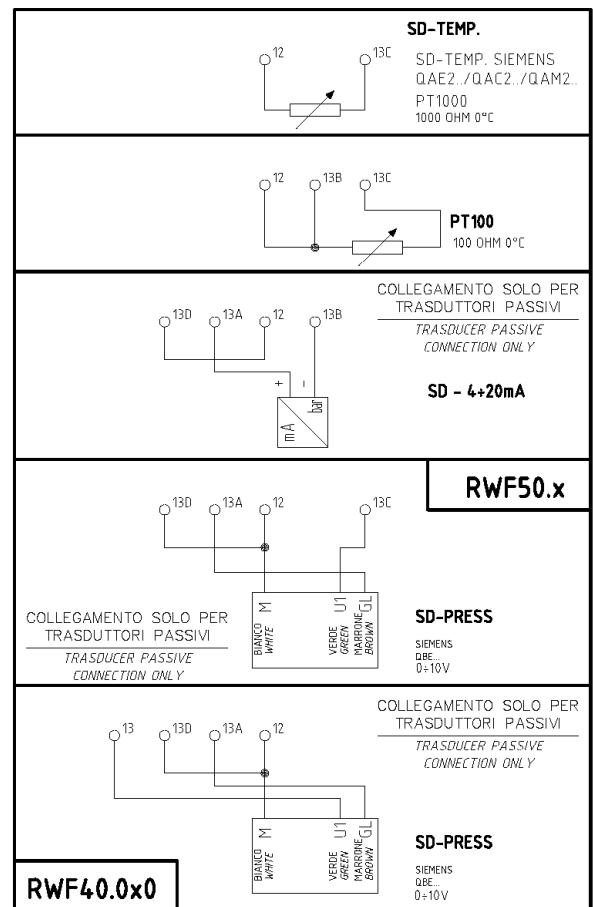
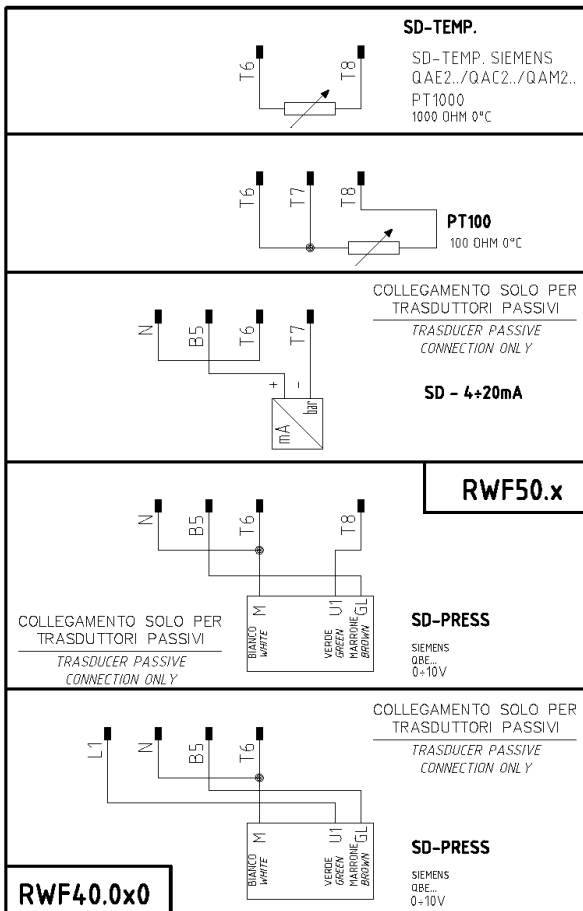
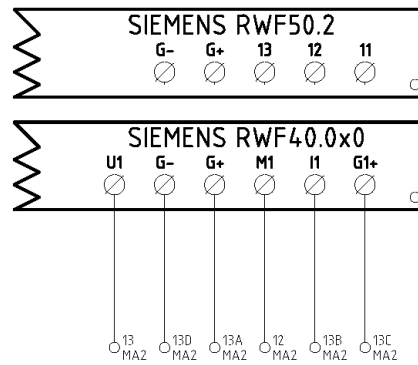
Collegamenti elettrici :

Versioni con connettore 7 poli



CONN. 7 PINS

Versione con morsetti



Corrispondenze morsetti tra RWF50.2 e RWF40.0x0

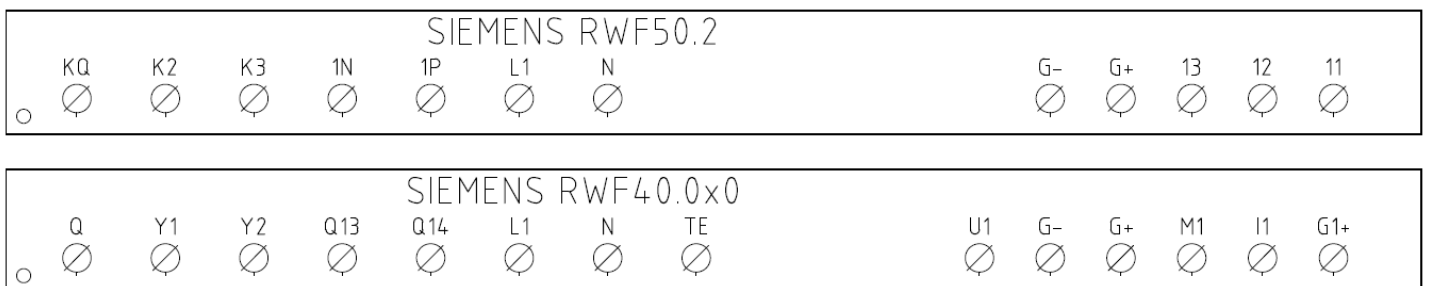


TABELLA RIEPILOGATIVA LISTA PARAMETRI DA MODIFICARE PER IMPOSTAZIONI CON RWF50.2X :

Navigazione menù	Conf Inp					Conf			PArA					Opr	
	Inp1					Cntr		diSP							
Tipi sonde	SEn1	OFF1	SCL	SCH	Unit	SPL	SPH	dECP	Pb. 1	dt	rt	tt	HYS1 (*)	HYS3 (*)	SP1 (*)
Siemens QAE2120...	6	0	ininfluente	ininfluente	1	30	95	1	10	80	350 (#)		-5	5	80 °C
Siemens QAM2120..	6	0	ininfluente	ininfluente	1	0	80	1	10	80	350 (#)		-2.5	2.5	40°C
Pt1000 (130°C max.)	4	0	ininfluente	ininfluente	1	30	95	1	10	80	350 (#)		-5	5	80°C
Pt1000 (350°C max.)	4	0	ininfluente	ininfluente	1	0	350	1	10	80	350 (#)		-5	10	80°C
Pt100 (130°C max.)	1	0	ininfluente	ininfluente	1	0	95	1	10	80	350 (#)		-5	5	80°C
Pt100 (350°C max)	1	0	ininfluente	ininfluente	1	0	350	1	10	80	350 (#)		-5	10	80°C
Sonda 4÷20mA / 0÷1,6bar	16	0	0	160	ininfluente	0	160	0	5	20	80 (#)		0	20	100 kPa
Sonda 4÷20mA / 0÷10bar	16	0	0	1000	ininfluente	0	1000	0	5	20	80 (#)		0	50	600 kPa
Sonda 4÷20mA / 0÷16bar	16	0	0	1600	ininfluente	0	1600	0	5	20	80 (#)		0	80	600 kPa
Sonda 4÷20mA / 0÷25bar	16	0	0	2500	ininfluente	0	2500	0	5	20	80 (#)		0	125	600 kPa
Sonda 4÷20mA / 0÷40bar	16	0	0	4000	ininfluente	0	4000	0	5	20	80 (#)		0	200	600 kPa
Sonda 4÷20mA / 0÷60PSI	16	0	0	600	ininfluente	0	600	0	5	20	80 (#)		0	30	300 (30PSI)
Sonda 4÷20mA / 0÷200PSI	16	0	0	2000	ininfluente	0	2000	0	5	20	80 (#)		0	75	600 (60PSI)
Sonda 4÷20mA / 0÷300PSI	16	0	0	3000	ininfluente	0	3000	0	5	20	80 (#)		0	120	600 (60PSI)
Siemens QBE2002 P4	17	0	0	400	ininfluente	0	400	0	5	20	80 (#)		0	20	200 kPa
Siemens QBE2002 P10	17	0	0	1000	ininfluente	0	1000	0	5	20	80 (#)		0	50	600 kPa
Siemens QBE2002 P16	17	0	0	1600	ininfluente	0	1600	0	5	20	80 (#)		0	80	600 kPa
Siemens QBE2002 P25	17	0	0	2500	ininfluente	0	2500	0	5	20	80 (#)		0	125	600 kPa
Siemens QBE2002 P40	17	0	0	4000	ininfluente	0	4000	0	5	20	80 (#)		0	200	600 kPa
Segnale 0÷10V	17	0	da definire	da definire	ininfluente	da definire	da definire	da definire	5	20	80 (#)		da definire	da definire	da definire
Segnale 4÷20mA	16	0	da definire	da definire	ininfluente	da definire	da definire	da definire	5	20	80 (#)		da definire	da definire	da definire

NOTE : (#) tt - tempo corsa servocomando

SQL33 ; STM30; SQM10; SQM40; SQM50; SQM54 = 30 (secondi) - STA12B3.41; SQN30.251; SQN72.4A4A20 = 12 (secondi)

(*) Valori impostati in fabbrica, tali valori dovranno essere variati in funzione dell'effettiva temperatura/pressione di lavoro dell'impianto.

ATTENZIONE : Con sonde di pressione i parametri SP1, SCH, SCL, HYS1, HYS3 devono essere impostati, e visualizzati in kPa (chilo Pascal). Si precisa inoltre che : 1bar = 100.000Pa = 100kPa

TABELLA PARAMETRI DA MODIFICARE PER TARATURE RWF50.3x/RWF55.xx (USCITA CONTINUA 4÷20mA) ANZICHE' 3 PUNTI

Navigazione menù	Conf OutP				
	FnCt	SiGn	rOut	OPnt	End
Parametro	4	1 (4÷20mA)	0	0	100

NOTE : (#) tt - tempo corsa servocomando

SQL33 ; STM30; SQM10; SQM40; SQM50; SQM54 = 30 (secondi)

STA12B3.41; SQN30.251; SQN72.4A4A20 = 12 (secondi)

(*) Valori impostati in fabbrica, tali valori dovranno essere variati in funzione dell'effettiva temperatura/pressione di lavoro dell'impianto.

ATTENZIONE : Con sonde di pressione in bar i parametri SP1, SCH, SCL, HYS1, HYS3 devono essere impostati, e visualizzati in kPa (chilo Pascal); 1bar = 100.000Pa = 100kPa.

Con sonde di pressione in PSI i parametri SP1, SCH, SCL, HYS1, HYS3 devono essere impostati, e visualizzati in PSI x10 (esempio : 150PSI > visualizzo 1500).

APPENDICE: COLLEGAMENTI SONDE

Per poter assicurare il massimo confort, il sistema di regolazione necessita di informazioni, affidabili, ottenibili a condizione che le sonde siano installate correttamente.

Le sonde misurano e trasmettono tutte le variazioni che si verificano in corrispondenza della loro ubicazione.

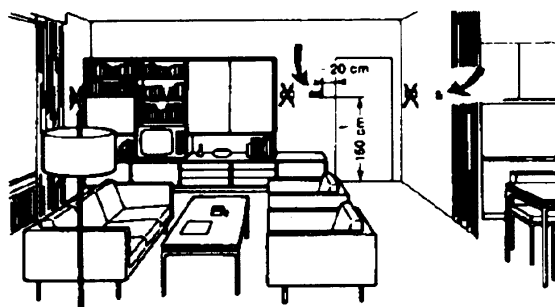
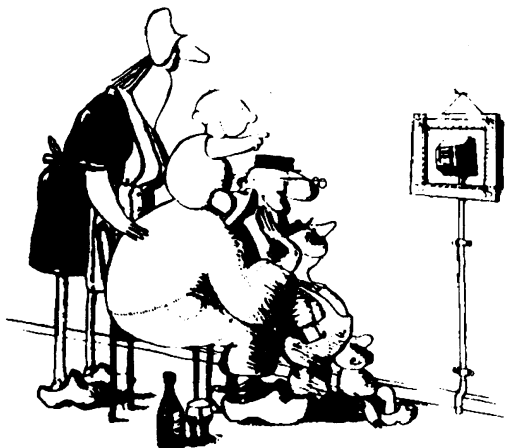
La misura avviene in base alle caratteristiche costruttive (costante di tempo) e secondo ben definite condizioni di impiego.

Con i collegamenti elettrici sotto traccia è necessario tappare la guaina (o tubo) contenente i fili in corrispondenza della morsettera della sonda affinché l'eventuale corrente d'aria non influisca sulla misura della sonda.

Sonde ambiente (o termostati ambiente)

Montaggio

Le sonde (o termostati ambiente) devono essere ubicate nei locali di riferimento in posizione da effettuare una misura reale della temperatura senza che sia influenzata da fattori estranei.



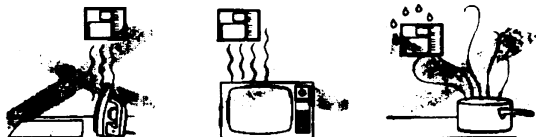
Sonde esterne (climatiche)

Montaggio

Negli impianti di riscaldamento o condizionamento in cui è prevista la compensazione in funzione della temperatura esterna, l'ubicazione della sonda è fondamentale.

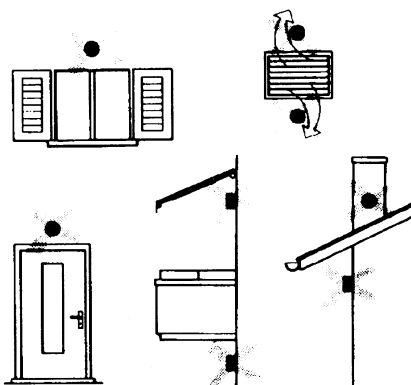
Essere ammirata è bello ... essere efficace è meglio

Impianti di riscaldamento: la sonda ambiente non deve essere montata nei locali con corpi scaldanti completi di valvole termostatiche. Evitare tutte le fonti di calore estraneo all'impianto e fonti di freddo come una parete esterna.



Regola generale: sulla parete esterna dell'edificio corrispondente ai locali di soggiorno, mai sulla facciata rivolta a sud o in posizione da essere interessata dall'irraggiamento solare del mattino. Nei casi dubbi ubicarle sulla facciata a nord o nord-ovest

Posizioni da evitare

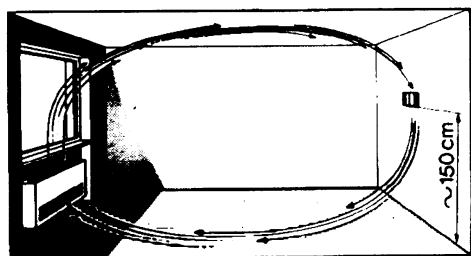


Evitare montaggi in prossimità di finestre, griglie di areazione, all'esterno del locale caldaia, sui camini o protetta da balconi, tettoie.

La sonda non deve essere verniciata (errore di misura).

Ubicazione

Su una parete interna opposta ai corpi scaldanti altezza dal pavimento 1,5m lontano, minimo 1,5m, dalle fonti esterne di calore (o freddo).



Posizione di montaggio da evitare

in prossimità di scaffali o nicchie, in prossimità di porte o finestre, all'interno di pareti esterne esposte all'irraggiamento solare o a correnti d'aria fredda, su pareti interne attraversate da tubazioni dell'impianto di riscaldamento, dell'acqua calda di consumo, da tubazioni dell'impianto di raffreddamento.

Sonde da canale e da tubazione

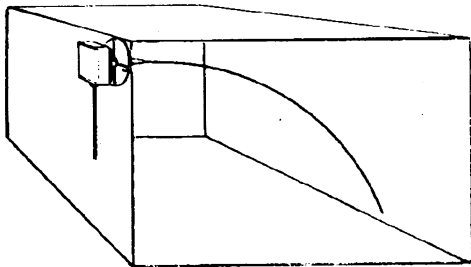
Montaggio delle sonde di temperatura

Come misura dell'aria in mandata:

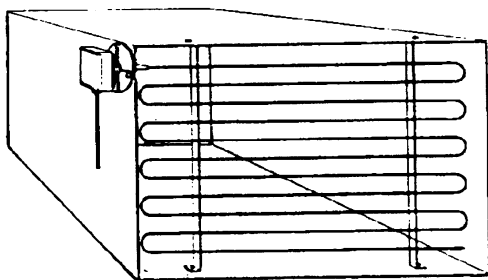
- dopo il ventilatore di mandata oppure
- dopo la batteria da controllare, distanza almeno 0.5 m

Come misura della temperatura ambiente:

- prima del ventilatore di ripresa e in prossimità della ripresa dall'ambiente. Come misura della temperatura di saturazione: dopo il separatore di gocce.



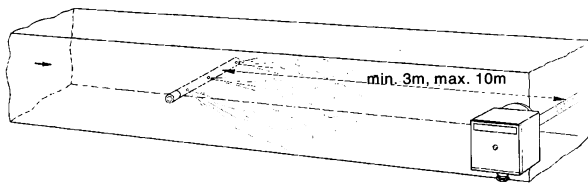
Curvare a mano (mai con utensili), come in figura, la sonda da 0.4 m.



Disporre su tutta la sezione del canale, distanza minima dalle pareti 50mm, raggio di curvatura 10mm per le sonde da 2 o 6 m.

Montaggio delle sonde di umidità combinate

Come sonda di limite di max. umidità sulla mandata (umidificatori a vapore).



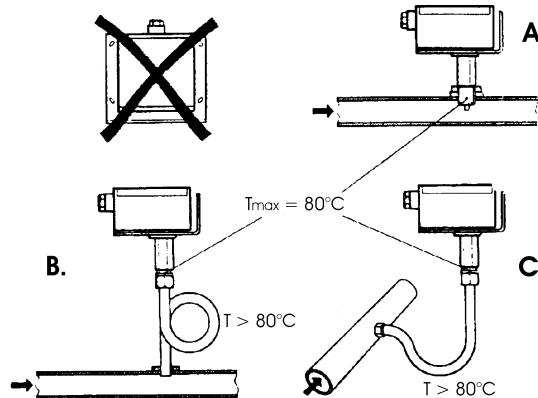
Montaggio delle sonde di pressione

A - montaggio su condotte di fluidi a temperatura di max. 80°C

B - montaggio su condotte a temperatura superiore a 80°C e per i refrigeranti

C - montaggio su condotte a temperature elevate:

- aumentare la lunghezza del sifone
- disporre lateralmente la sonda per evitare che sia investita dall'aria calda proveniente dal tubo.



Montaggio delle sonde di pressione differenziali per acqua

Non ammesso il montaggio con la custodia rivolta verso il basso.

Con temperatura superiore a 80°C. sono necessari dei sifoni.

Per evitare di danneggiare la sonda è necessario rispettare le seguenti istruzioni

nel montaggio: che la differenza di pressione non sia superiore a quella ammessa dalla sonda

che in presenza di pressioni statiche elevate si inseriscano le valvole di intercettazione A-B-C.

Messa in servizio

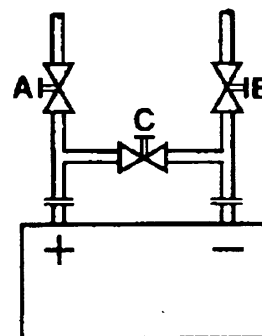
avviamento escludere

1=aprire C 1=aprire C

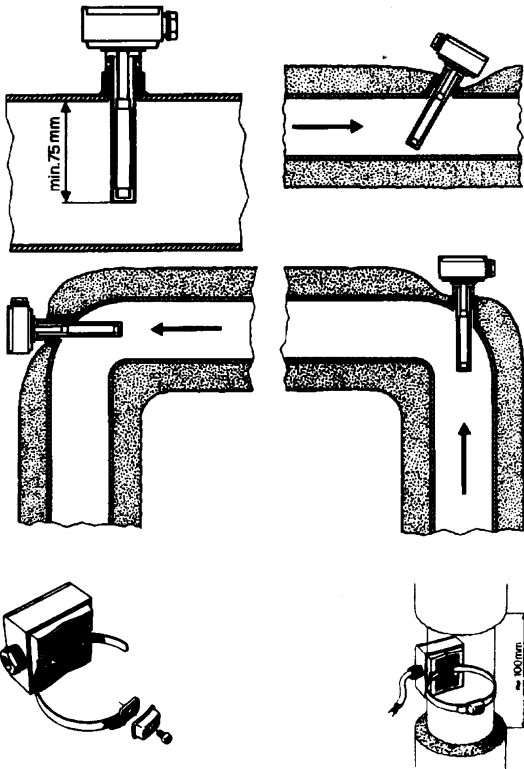
2=aprire A 2=chiudere B

3=aprire B 3=chiudere A

4= chiudere C



Sonde ad immersione e a bracciale



Montaggio delle sonde ad immersione

Le sonde devono essere montate sul tratto di tubazione in cui la circolazione del fluido è sempre presente.

Il gambo rigido (elemento sensibile di misura) deve essere introdotto per almeno 75mm e in opposizione al senso di flusso.

Ubicazioni consigliate: in una curva oppure su un tratto di tubazione rettilinea ma inclinata di 45° in controcorrente rispetto al senso fluido.

Proteggerle da possibili infiltrazioni di acqua (saracinesche che gocciolano, condensa dalle tubazioni, etc.).

Montaggio delle sonde a bracciale QAD2..

Garantire la presenza della circolazione del fluido.

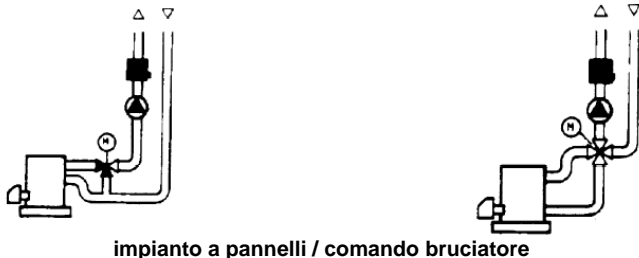
Eliminare l'isolamento e la tinteggiatura (anche l'antiruggine) di un tratto di tubazione di almeno 100mm.

Le sonde sono complete di nastro per tubi del diametro di 100 mm massimo.

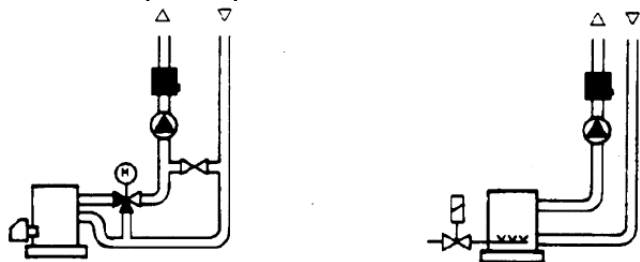
Ubicazione delle sonde (QAD22.../QAE21.../QAP21.../RCA...)

Con pompe sulla mandata

con valvole a 3 vie / con valvole a 4 vie



impianto a pannelli / comando bruciatore



Sonde a bracciale o a immersione?

Sonde a bracciale QAD2...

Vantaggi

Costante di tempo di 10 s

Montaggio ad impianto funzionante (nessun lavoro idraulico)

La posizione di montaggio può essere facilmente modificata se non risultasse corretta .

Limiti

Adatta per tubi da 100 mm max.

Può essere influenzata dalle correnti d'aria, etc.

Sonde ad immersione QAE2...

Vantaggi:

Misura della temperatura "media" del fluido

Nessuna influenza esterna sulla misura come: correnti d'aria, tubazioni vicine, etc.

Limiti

Costante di tempo con guaina: 20 s

Difficoltà di modificare la posizione di montaggio se non risultasse corretta.

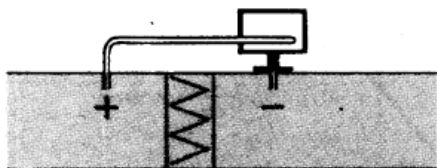
Con pompe sul ritorno

con valvole a 3 vie / con valvole a 4 vie

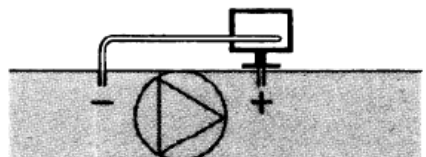


Sonde e pressostati da canale

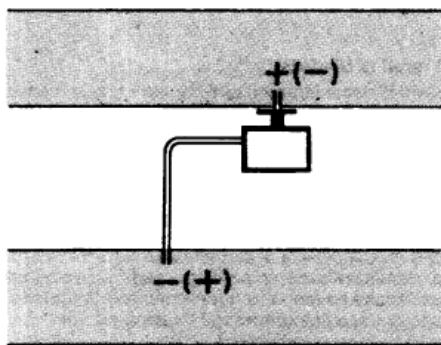
Montaggio delle sonde di pressione differenziale per aria



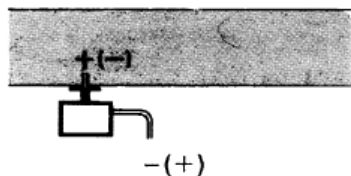
A - Controllo di un filtro (intasamento)



B - Controllo di un ventilatore (monte/valle)



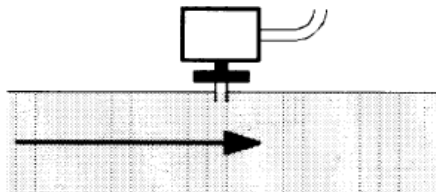
C - Misura della differenza di pressione tra due canali



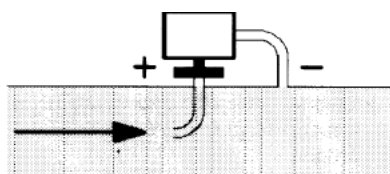
D - Misura della differenza di pressione tra due ambienti oppure fra l'interno del canale e l'esterno

Principi fondamentali

Misura della pressione statica (pressione esercitata dall'aria sulle pareti del condotto)



Misura della pressione dinamica

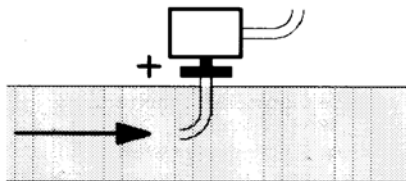


$$Pd = \frac{\gamma v^2}{2g}$$

Legenda

- γ Kg/m³, peso specifico dell'aria
- v m/s, velocità dell'aria
- g 9.81 m/s² accelerazione di gravità
- Pd mm C.A., pressione dinamica

Misura della pressione totale



Elenco codici per ordinazione

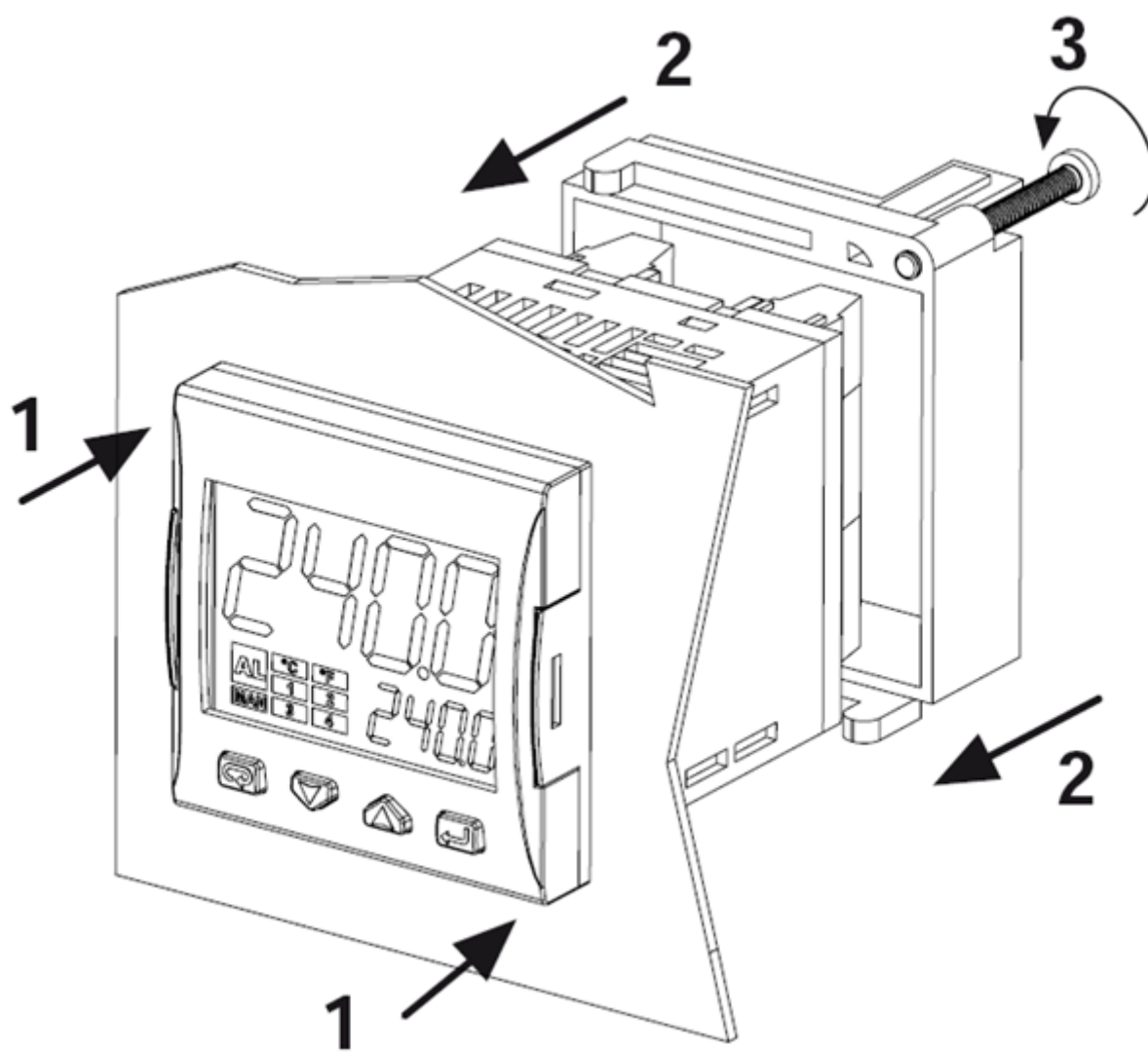
Descrizione	Codice
Regolatore modulante RWF50.2 (uscita a 3 punti - apri, fermo, chiudi)	2570148
Regolatore modulante RWF50.3 (uscita continua 0÷20mA, 4÷20mA, 0÷10V)	2570149
Sonda di temperatura Siemens QAE2120.010A (30÷130°C)	2560101
Sonda di temperatura Siemens QAM2120.040 (-15÷+50°C)	2560135
Termoresistenza Pt1000 ø6mm L100mm (30÷130°C)	2560188
Termoresistenza Pt1000 ø10mm L200mm (0÷350°C)	2560103
Termoresistenza Pt100 ø10mm L200mm (0÷350°C)	2560145
Termoresistenza Pt100 ø 8mm L85mm (0÷120°C)	25601C3
Sonda di pressione Siemens QBE2.. P4 (0÷4bar)	2560159
Sonda di pressione Siemens QBE2.. P10 (0÷10bar / segnale 0÷10V)	2560160
Sonda di pressione Siemens QBE2.. P16 (0÷16bar / segnale 0÷10V)	2560167
Sonda di pressione Siemens QBE2.. P25 (0÷25bar / segnale 0÷10V)	2560161
Sonda di pressione Siemens QBE2.. P40 (0÷40bar / segnale 0÷10V)	2560162
Sonda di pressione Danfoss MBS 3200 P 1,6 (0÷1,6bar / segnale 4÷20mA)	2560189
Sonda di pressione Danfoss MBS 3200 P 10 (0÷10bar / segnale 4÷20mA)	2560190
Sonda di pressione Danfoss MBS 3200 P 16 (0÷16bar / segnale 4÷20mA)	2560191
Sonda di pressione Danfoss MBS 3200 P 25 (0÷25bar / segnale 4÷20mA)	2560192
Sonda di pressione Danfoss MBS 3200 P 40 (0÷40bar / segnale 4÷20mA)	2560193
Sonda di pressione Siemens 7MF1565-3BB00-1AA1 (0÷1,6bar / segnale	25601A3
Sonda di pressione Siemens 7MF1565-3CA00-1AA1 (0÷10bar / segnale	25601A4
Sonda di pressione Siemens 7MF1565-3CB00-1AA1 (0÷16bar / segnale	25601A5
Sonda di pressione Siemens 7MF1565-3CD00-1AA1 (0÷25bar / segnale	25601A6
Sonda di pressione Siemens 7MF1565-3CE00-1AA1 (0÷40bar / segnale	25601A7
Sonda di pressione Gefran E3E B1V6 MV (0÷1,6bar / segnale 4÷20mA)	25601C4
Sonda di pressione Gefran E3E B01D MV (0÷10bar / segnale 4÷20mA)	25601C5
Sonda di pressione Gefran E3E B16U MV (0÷16bar / segnale 4÷20mA)	25601C6
Sonda di pressione Gefran E3E B25U MV (0÷25bar / segnale 4÷20mA)	25601C7
Sonda di pressione Gefran E3E B04D MV (0÷40bar / segnale 4÷20mA)	25601C8
Sonda di pressione Siemens 7MF1567-4CD00-1EA1 (0-300PSI 1/4NPT 4-20mA)	25601G0
Sonda di pressione Siemens 7MF1567-4BF00-1EA1 (0-60PSI 1/4NPT 4-20mA)	25601G1
Sonda di pressione Siemens 7MF1567-4CB00-1EA1 (0-200PSI 1/4NPT 4-20mA)	25601G2

Le informazioni contenute in questo documento sono puramente indicative e non impegnative. L'azienda si riserva la facoltà di apportare modifiche senza obbligo di preavviso.

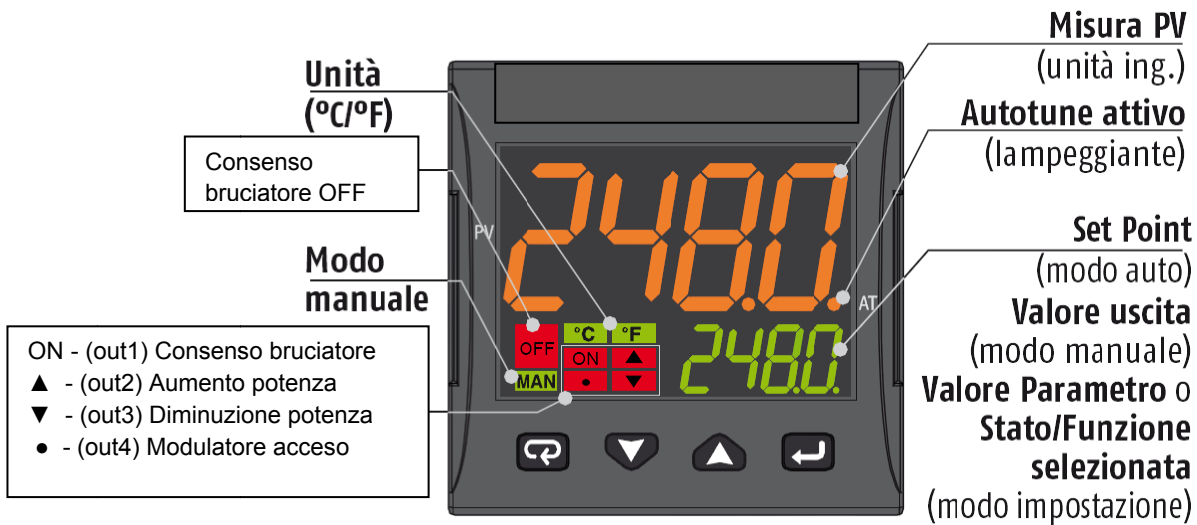
Modulatore KM3

MANUALE D'USO

MONTAGGIO

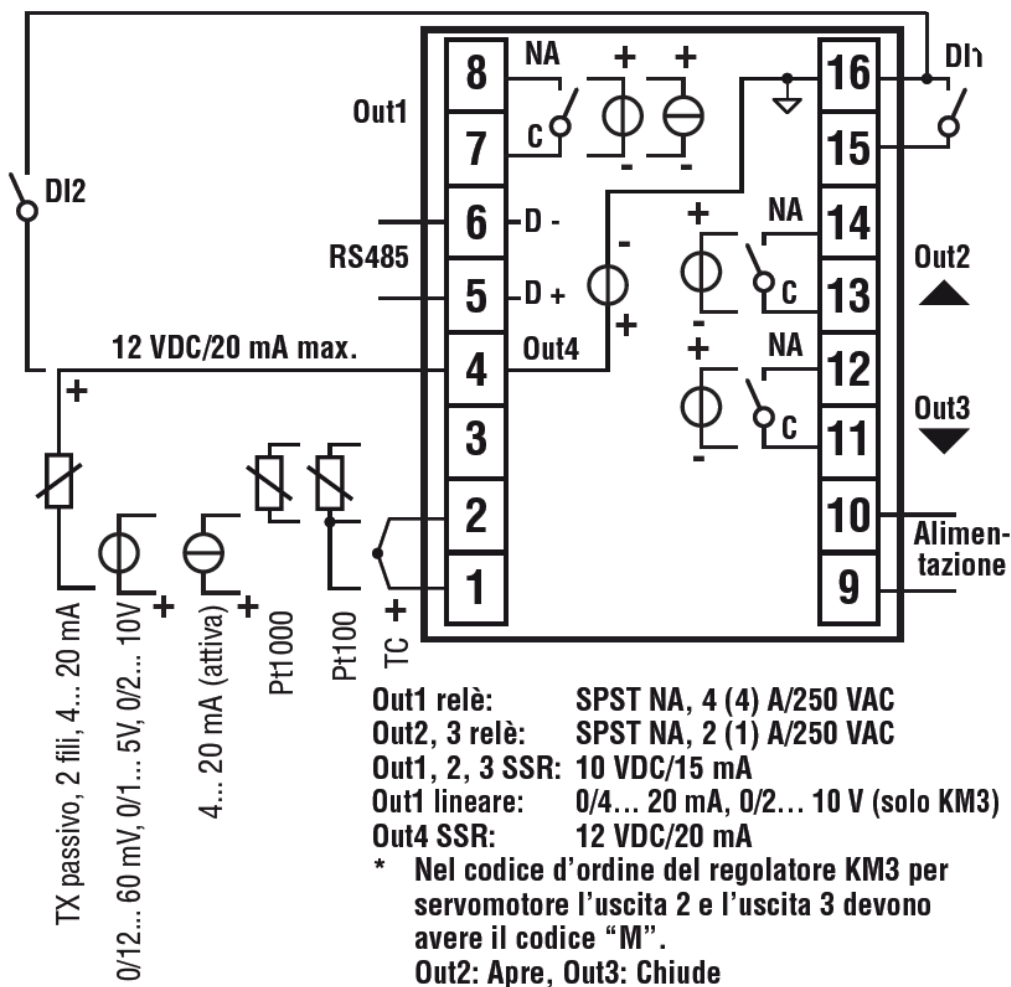


FRONTALE STRUMENTO



	Modo Operatore	Modo impostazione
	Accesso a: - Comandi operatore (Timer, Selezione Setpoint ...) - Parametri - Configurazione	Conferma e vai al parametro successivo
	Accesso a: - Dati aggiuntivi per l'operatore (valore uscita, tempo timer ...)	Incrementa il valore visualizzato o seleziona l'elemento successivo
	Accesso a: - Set Point	Decrementa il valore visualizzato o seleziona l'elemento precedente
	Lancia le funzioni programmate (Autotune, Auto/Man, Timer ...)	Esce dai Comandi operatore/Impostazione parametri/Configurazione

COLLEGAMENTI

**Collegamento sonde:**

- **PT1000/NTC/PTC:** tra i morsetti 3 e 2
- **PT 100:** tra i morsetti 3 e 2 con 1
- **Sonda di pressione passiva 0/4-20 mA:** tra i morsetti 4 (+) e 1 (-)
Nota: attivare uscita 4 (IO4F deve essere settato su ON)
- **Sonda di pressione alimentata 0/4-20 mA** ma tra i morsetti 4 (alimentazione), 2 (negativo) e 1 (positivo del segnale)
Nota: per attivare uscita 4 di alimentazione (IO4F deve essere settato su ON)


Collegamento alimentazione:

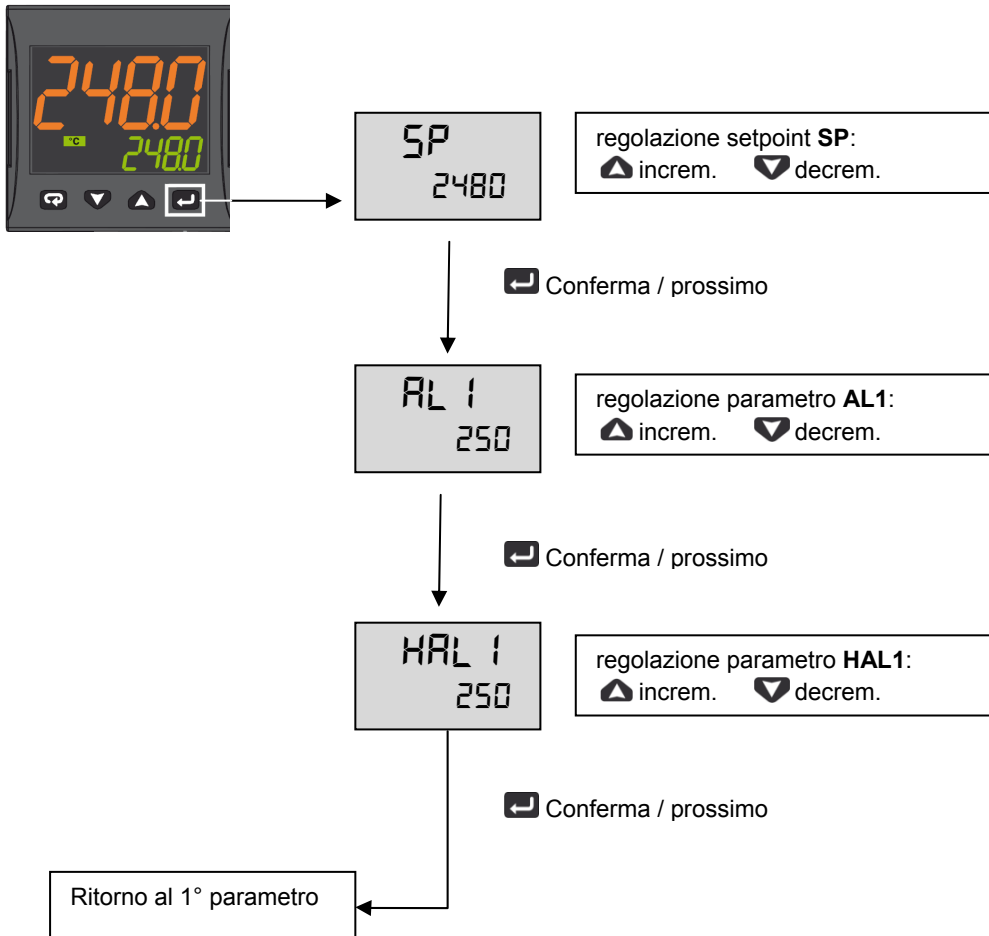
- **Neutro:** morsetto 9
- **Fase:** morsetto 10 (100...240 Vac)
- Commutazione al set point 2 chiudendo i morsetti 15-16


Collegamento uscite:

- **Canale 1:** morsetti 7 e 8 (on – off bruciatore)
- **Canale 2:** morsetti 11 e 12 (Servocomando apre)
- **Canale 3:** morsetti 13 e 14 (Servocomando chiude)

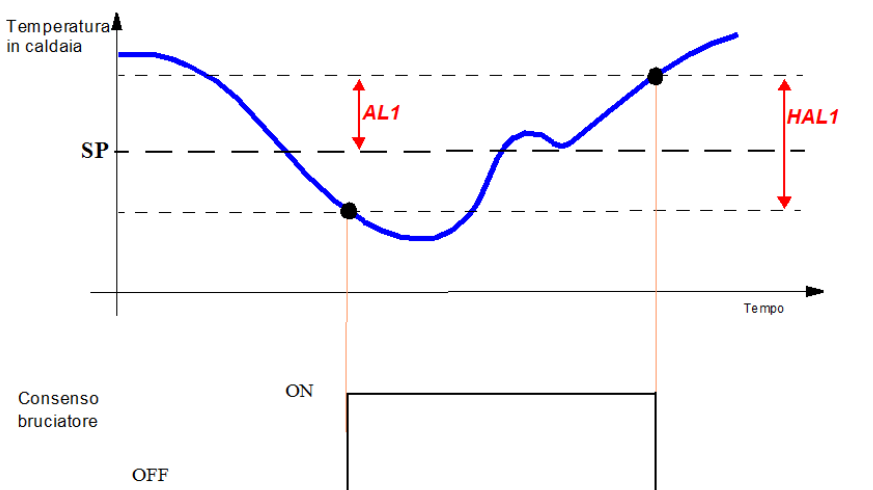
IMPOSTAZIONE SETPOINT E ISTERESI (parametri SP, AL1, HAL1)

Durante il funzionamento, premere il tasto 



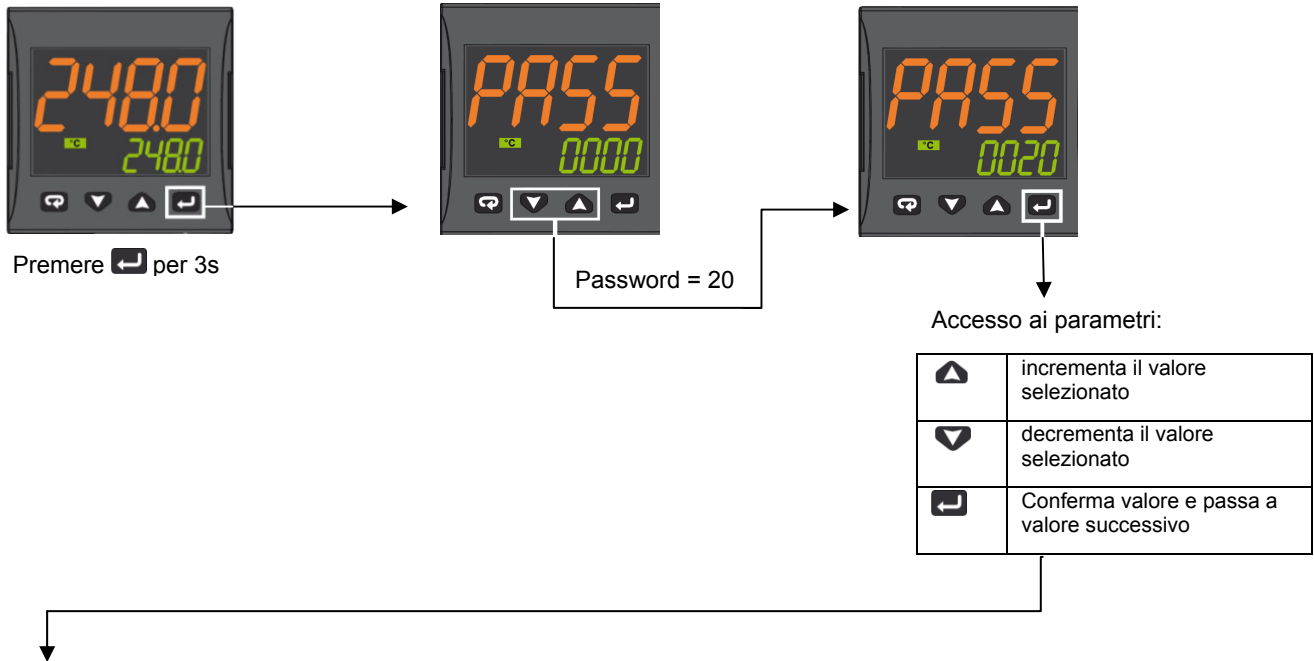
Premere  per 3s o attendere l'uscita dal timeout (10s) per tornare al modo operatore

Esempio di funzionamento



MENU' AD ACCESSO LIMITATO

Con la procedura seguente è possibile accedere ad alcuni parametri non visibili normalmente.



Param	Descrizione	Valori	Default
SEnS	Selezione del sensore	Pt1 = RTD Pt100 Pt10 = RTD Pt1000 0.20 = 0..20mA 4.20 = 4..20mA Sonda pressione 0.10 = 0..10V 2.10 = 2..10V crAL= Termocoppia K	Dipende dalla sonda
SP	Set point 1	Da SPLL a SPLH	Vedi tabella pag. 7
AL1	Soglia allarme AL1	AL1L... AL1H (E.U.)	
HAL1	Istersi AL1	1... 9999 (E.U.)	
Pb	Banda proporzionale	1... 9999 (E.U.)	
ti	Tempo integrale	Da 0 (oFF) a 9999 (s)	
td	Tempo derivativo	Da 0 (oFF) a 9999 (s)	
Str.t	Tempo corsa servomotore	5...1000 secondi	
db.S	Banda morta servomotore	0...100%	
SPLL	Limite minimo impostabile per il set point	Da -1999 a SPLH	
SPHL	Limite massimo impostabile per il Set Point	Da SPLL a 9999	
dp	Numero di decimali	0... 3	
SP 2	Set point 2	Da SPLL a SPLH	60
A.SP	Selezione del setpoint attivo	Da "SP" a "nSP"	SP

Per uscire dalla procedura di impostazione dei parametri, premere per 3s o attendere l'uscita dal timeout (30s).

TABELLA CONFIGURAZIONE MODULATORE ASCON KM3

Gruppo Parametri		inP				AL1				rEG				SP			
Parametro		Sens	dp	SSC	FSc	unit	IO4.F (**)	AL1 (***)	HAL1 (***)	Pb (***)	ti (***)	td (***)	Str.t	db.S	SPLL	SPHL	SP (***)
Tipi Sonde			Punto Dec	Min Sonda	Max Sonda			Off	On	p	i	d	T servo S	Banda Mo.	SP Min	SP Max	Set point
Pt1000 (130°C max)		Pt10	1			°C	on	5	10	10	350	1	*	5	30	95	80
Pt1000 (350°C max)		PT10	1			°C	on	10	10	10	350	1	*	5	0	350	80
Pt100 (130°C max)		PT1	1			°C	on	5	10	10	350	1	*	5	0	95	80
Pt100 (350°C max)		PT1	1			°C	on	10	10	10	350	1	*	5	0	350	80
Pt100 (0÷100°C 4÷20mA)		4.20	1	0	100		on	5	10	10	350	1	*	5	0	95	80
Termocoppia K (1200°C max)		crAL	0			°C	on	20	25	10	350	1	*	5	0	1200	80
Termocoppia J (1000°C max)		J	0			°C	on	20	25	10	350	1	*	5	0	1000	80
Sonda 4-20mA / 0-1,6bar		4.20	0	0	160		on	20	20	5	120	1	*	5	0	160	100
Sonda 4-20mA / 0-10bar		4.20	0	0	1000		on	50	50	5	120	1	*	5	0	1000	600
Sonda 4-20mA / 0-16bar		4.20	0	0	1600		on	80	80	5	120	1	*	5	0	1600	600
Sonda 4-20mA / 0-25bar		4.20	0	0	2500		on	125	125	5	120	1	*	5	0	2500	600
Sonda 4-20mA / 0-40bar		4.20	0	0	4000		on	200	200	5	120	1	*	5	0	4000	600
Sonda QBE2002 / 0-25bar		0.10	0	0	2500		0n	125	125	5	120	1	*	5	0	2500	600

Note:

(*) Str.t - Tempo corsa servomotore
 SQL33; STM30; SQM10; SQM40; SQM50; SQM54 = 30 (Secondi)
 STA12B3.41; SQN30.251; SQN72.4A4A20 = 12 (Secondi)

(**) **Uscita 4 ... sul Display devo vedere il led n°4 sempre acceso, se cio non si verifica modificare il parametro IO4.Fda on a out4, confermare il nuovo valore, uscire dalla programmazione, rientrare nel parametro IO4.F e modificarlo da out4 a on.**



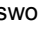

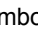

(***) Valori impostati di fabbrica, tali valori dovranno essere adattati in funzione delle caratteristiche dell'installazione


N.B. Per le sonde di pressione i valori dei set point e dei limiti di lavoro sono espressi in kPa (chilo Pascal)
 1 bar=100 kPa

PROCEDURA DI CONFIGURAZIONE







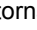
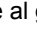
Come accedere al livello configurazione

I parametri di configurazione sono riuniti in Gruppi. Ciascun Gruppo definisce tutti i parametri relativi ad una specifica funzione (regolazione, allarmi, funzioni delle uscite):

1. Premere il tasto  per più di 5 secondi. Il display superiore visualizzerà PASS mentre quello inferiore visualizzerà 0.
2. Con i tasti  e  impostare la password programmata.
In base alla password inserita sarà possibile vedere una parte dei parametri elencati nel paragrafo "parametri di configurazione". In particolare:
 - a. Inserendo la password "30" sarà possibile vedere tutti i parametri di configurazione
 - b. Inserendo la password "20" sarà possibile accedere al "livello accesso limitato" e quindi modificare solo una parte dei parametri elencati (quelli contrassegnati dal **Liv = A** e **Liv = O**)
 - c. Non inserendo alcuna password, si potranno modificare solo i parametri a "livello operatore", contrassegnati dalla lettera **Liv = O**
3. Premere il tasto . Se la password è corretta il display visualizzerà l'acronimo del primo gruppo di parametri preceduto dal simbolo: . In altre parole il display superiore visualizzerà:  inP (parametri di **Configurazione degli ingressi**).

Lo strumento è in modo configurazione. Premere  per più di 5 secondi, lo strumento tornerà allo "standard display".

Funzione dei tasti durante la modifica dei parametri:

	Modo Operatore
	Quando il display superiore dello strumento visualizza un gruppo e quello inferiore è vuoto, questo tasto consente di entrare nel gruppo selezionato. Quando il display superiore dello strumento visualizza un parametro e quello inferiore il suo valore, questo tasto consente di memorizzare il valore impostato e passare al parametro successivo, all'interno dello stesso gruppo.
	Incrementa il valore del parametro selezionato
	Decrementa il valore del parametro selezionato
	Brevi pressioni consentono di uscire dall'attuale gruppo di parametri e selezionare un nuovo gruppo. Una pressione prolungata consente di terminare la procedura di configurazione (lo strumento torna alla visualizzazione normale).
 + 	Questi 2 tasti permettono di tornare al gruppo precedente. Si proceda come segue: Premere il tasto  e mentre viene tenuto premuto premere il tasto  ; rilasciare entrambi tasti.

Parametri di configurazione

GRUPPO inP - configurazione degli ingressi					
Liv	N°	Param	Descrizione	Valori	Default
A	1	SEnS	Selezione del sensore	Pt1 = RTD Pt100 Pt10 = RTD Pt1000 0.20 = 0..20mA 4.20 = 4..20mA Sonda pressione 0.10 = 0..10V 2.10 = 2..10V crAL= Termocoppia K	Dipende dalla sonda
A	2	dp	Numero di decimali	0... 3	Vedi tabella pag. 7
A	3	SSc	Inizio scala di visualizzazione ingressi lineari (presente solo se il parametro SEnS è diverso da Pt1, Pt10, crAL)	-1999... 9999	0
C	4	FSc	Fondo scala di visualizzazione ingressi lineari (presente solo se il parametro SEnS è diverso da Pt1, Pt10, crAL)	-1999... 9999	Dipende dalla sonda
C	5	unit	Unità di misura (presente solo nel caso di sonda temperatura)	°C/°F	°C
C	6	Fil	Filtro digitale sull'ingresso di misura	0 (= OFF)... 20.0 s	1.0

C	7	inE	Stabilisce quale errore di lettura rende attivo il valore di sicurezza della potenza di uscita	or = Over range ou = Under range our = over e under range	or
C	8	oPE	Valore di sicurezza per la potenza di uscita)	-100... 100	0
C	9	io4.F	Funzione dell'I/O 4	on = Alimentazione trasmettitore, out4 = Uscita 4 (uscita digitale out 4), dG2c = Ingresso digitale 2 per contatti puliti, dG2U = Ingresso digitale 2 in tensione	on
C	10	diF1	Funzione ingresso digitale 1	oFF = Non utilizzato, 1 = Reset allarmi, 2 = Tacitazione AL (ACK), 3 = Blocco misura, 4 = Modalità Stand by, 5 = Modalità manuale, 6 = Riscaldamento con "SP1" e raffreddamento con "SP2", 7 = Timer RUN/Hold/Reset (sulla transizione), 8 = Timer Run (sulla transizione), 9 = Timer Reset (sulla transizione), 10 = Timer Run/Hold, 11 = Timer Run/Reset, 12 = Timer Run/Reset con blocco a fine conteggio, 13 = Run del programma (sulla transizione), 14 = Reset del programma (sulla transizione), 15 = Hold del programma (sulla transizione), 16 = Run/Hold del programma, 17 = Run/Reset del programma, 18 = Selezione sequenziale del Set Point (sulla transizione), 19 = Selezione SP1 - SP2, 20 = Selezione con codice binario di SP1... SP4, 21 = Ingressi digitali in parallelo	19
C	12	di.A	Azione ingressi digitali	0 = DI1 azione diretta, DI2 azione diretta 1 = DI1 azione inversa, DI2 azione diretta 2 = DI1 azione diretta, DI2 azione inversa 3 = DI1 azione inversa, DI2 azione inversa	0

GRUPPO out - parametri relativi alle uscite

Liv	N°	Param	Descrizione	Valori	Default
C	14	o1F	Funzione uscita 1	AL = Uscita allarme	AL
C	15	o1AL	Inizio scala per la ritrasmissione analogica	-1999 ... Ao1H	1
C	18	o1Ac	Azione Uscita 1	dir = Azione diretta rEU = Azione Inversa dir.r = Diretta con LED invertito ReU.r = Inversa con LED invertito	rEU.r
C	19	o2F	Funzione dell'uscita 2	H.rEG = Uscita riscaldamento	H.rEG
C	21	o2Ac	Azione Uscita 2	dir = Azione diretta rEU = Azione Inversa dir.r = Diretta con LED invertito ReU.r = Inversa con LED invertito	dir
C	22	o3F	Funzione dell'uscita 3	H.rEG = Uscita riscaldamento	H.rEG
C	24	o3Ac	Azione Uscita 3	dir = Azione diretta rEU = Azione Inversa dir.r = Diretta con LED invertito ReU.r = Inversa con LED invertito	dir

GRUPPO AL1 - parametri allarme 1					
Liv	N°	Param	Descrizione	Valori	Default
C	28	AL1t	Tipo allarme AL1	nonE = Non utilizzato LoAb = Allarme assoluto di minima HiAb = Allarme assoluto di massima LHAo = Allarme di banda assoluto con indicazione di allarme di fuori banda LHAi = Allarme di banda assoluto con indicazione di allarme in banda SE.br = Rottura sensore LodE = Allarme di minima in deviazione (relativo) HidE = Allarme di massima in deviazione (relativo) LHdo = Allarme di banda relativa con indicazione di allarme di fuori banda LHdi = Allarme di banda relativo con indicazione di allarme in banda	HidE
C	29	Ab1	Configurazione funzionamento allarme AL1	0... 15 +1 = Non attivo all'accensione +2 = Allarme memorizzato (azzerabile manualmente) +4 = Allarme tacitabile +8 = Allarme relativo mascherato al cambio di Set point	0
C	30	AL1L	-- Per allarme Alto/Basso, inizio scala soglia AL1; -- Per allarme di banda, inizio scala AL1	-1999... AL1H (E.U.)	-199.9
C	31	AL1H	- Per allarme Alto/Basso, fine scala soglia AL1; - Per allarme di banda, fine scala AL1	AL1L... 9999 (E.U.)	999.9
O	32	AL1	Soglia allarme AL1	AL1L... AL1H (E.U.)	Vedi tabella pag. 7
O	33	HAL1	Istersi AL1	1... 9999 (E.U.)	Vedi tabella pag. 7
C	34	AL1d	Ritardo AL1	0 (oFF)... 9999 (s)	oFF
C	35	AL1o	Abilitazione Allarme AL1 in Stand-by e in condizione di Fuori scala	0 = AL1 disabilitato in Stand by e Fuori scala 1 = AL1 abilitato in Stand by 2 = AL1 abilitato in Fuori scala 3 = AL1 abilitato in Stand by e Fuori scala	1

GRUPPO AL2 - parametri allarme 2					
Liv	N°	Param	Descrizione	Valori	Default
C	36	AL2t	Tipo allarme AL2	nonE = Non utilizzato LoAb = Allarme assoluto di minima HiAb = Allarme assoluto di massima LHAo = Allarme di banda assoluto con indicazione di allarme di fuori banda LHAi = Allarme di banda assoluto con indicazione di allarme in banda SE.br = Rottura sensore LodE = Allarme di minima in deviazione (relativo) HidE = Allarme di massima in deviazione (relativo) LHdo = Allarme di banda relativa con indicazione di allarme di fuori banda LHdi = Allarme di banda relativo con indicazione di allarme in banda	SE.br
C	37	Ab2	Configurazione funzionamento allarme AL2	0... 15 +1 = Non attivo all'accensione +2 = Allarme memorizzato (azzerabile manualmente)	0

				+4 = Allarme tacitabile +8 = Allarme relativo mascherato al cambio di Set point	
C	42	AL2d	Ritardo AL2	0 (oFF)... 9999 (s)	oFF
C	43	AL2o	Abilitazione Allarme AL2 in Stand-by e in condizione di Fuori scala	0 = AL2 disabilitato in Stand by e Fuori scala 1 = AL2 abilitato in Stand by 2 = AL2 abilitato in Fuori scala 3 = AL2 abilitato in Stand by e Fuori scala	0

GRUPPO AL3 - parametri allarme 3

Liv	N°	Param	Descrizione	Valori	Default
	44	AL3t	Tipo allarme AL3	nonE = Non utilizzato LoAb = Allarme assoluto di minima HiAb = Allarme assoluto di massima LHAo = Allarme di banda assoluto con indicazione di allarme di fuori banda LHAi = Allarme di banda assoluto con indicazione di allarme in banda SE.br = Rottura sensore LodE = Allarme di minima in deviazione (relativo) HidE = Allarme di massima in deviazione (relativo) LHdo = Allarme di banda relativa con indicazione di allarme di fuori banda LHdi = Allarme di banda relativo con indicazione di allarme in banda	nonE

GRUPPO LbA - Parametri Allarme Loop Break (LBA)

Liv	N°	Param	Descrizione	Valori	Default
C	52	LbAt	Tempo per allarme LBA	Da 0 (oFF) a 9999 (s)	oFF

GRUPPO rEG - Parametri relativi alla regolazione

Liv	N°	Param	Descrizione	Valori	Default
C	56	cont	Tipo di controllo	Pid = Controllo PID (riscaldamento e/o raffreddamento) On.FA = ON/OFF con isteresi asimmetrica On.FS = ON/OFF con isteresi simmetrica nr = Controllo ON/OFF a zona neutra (riscalda e raffredda) 3pt = Controllo servomotore	3pt
C	57	Auto	Abilitazione dell'Autotuning	-4 = Autotuning oscillatorio con avvio all'accensione e al cambio di Set Point -3 = Autotuning oscillatorio con avvio manuale -2 = Autotuning oscillatorio con avvio alla prima accensione -1 = Autotuning oscillatorio con avvio ad ogni accensione 0 = Non abilitato 1 = Autotuning Fast con avvio ad ogni accensione 2 = Autotuning Fast con avvio alla prima accensione 3 = Autotuning Fast con avvio manuale 4 = Autotuning Fast con avvio all'accensione e al	7

				cambio di Set Point 5 = EvoTune con ripartenza automatica a tutte le accensioni 6 = EvoTune con partenza automatica alla prima accensione soltanto 7 = EvoTune con partenza manuale 8 = EvoTune con ripartenza automatica a tutti i cambi di set point	
C	58	tunE	Avvio manuale dell'Autotuning	oFF = Non attivo on = Attivo	oFF
C	59	SELF	Attiva il self tuning	no = Lo strumento NON esegue il self tuning YES = Lo strumento esegue il self tuning	No
A	62	Pb	Banda proporzionale	1... 9999 (E.U.)	Vedi tabella pag. 7
A	63	ti	Tempo integrale	Da 0 (oFF) a 9999 (s)	Vedi tabella pag. 7
A	64	td	Tempo derivativo	Da 0 (oFF) a 9999 (s)	Vedi tabella pag. 7
C	65	Fuoc	Fuzzy overshoot control	0.00... 2.00	1
C	69	rS	Reset manuale (Precarica azione integrale)	-100.0... +100.0 (%)	0.0
A	70	Str.t	Tempo corsa servomotore	5...1000 secondi	Vedi tabella pag. 7
A	71	db.S	Banda morta servomotore	0...100%	Vedi tabella pag. 7
C	72	od	Ritardo all'accensione	Da 0.00 (oFF) a 99.59 (hh.mm)	oFF

GRUPPO SP - Parametri relativi al Set Point					
Liv	N°	Param	Descrizione	Valori	Default
C	76	nSP	Numero dei Set Point utilizzati	1... 4	2
A	77	SPLL	Limite minimo impostabile per il set point	Da -1999 a SPHL	30
A	78	SPHL	Limite massimo impostabile per il Set Point	Da SPLL a 9999	130
O	79	SP	Set point 1	Da SPLL a SPLH	Vedi tabella pag. 7
C	80	SP 2	Set point 2	Da SPLL a SPLH	60
A	83	A.SP	Selezione del setpoint attivo	Da "SP" a "nSP"	SP
C	84	SP.rt	Tipo di set point remoto	RSP = Il valore da seriale è usato come set point remoto trin = Il valore verrà aggiunto al set point locale selezionato con A.SP e la somma diventa il set point operativo PErc = Il valore verrà scalato sullo span di ingresso e il risultato diventa il set point operativo	trin
C	85	SPLr	Selezione Set point locale o remoto	Loc = Locale rEn = Remoto	Loc
C	86	SP.u	Velocità di variazione applicata ad incrementi del set point (ramp UP)	0.01... 99.99 (inF) unità/minuto	inF
C	87	SP.d	Velocità di variazione applicata a dec-rementi del set point (ramp DOWN)	0.01... 99.99 (inF) unità/minuto	inF

GRUPPO PAn - Parametri relativi all'interfaccia operatore					
Liv	N°	Param	Descrizione	Valori	Default
C	118	PAS2	Password livello 2 (livello ad accesso limitato)	-oFF (Livello 2 non protetto da password)-1... 200	20
C	119	PAS3	Password livello (livello configurazione completa)	3... 300	30
C	120	PAS4	Password livello (livello configurazione a codice)	201... 400	300
C	121	uSrb	Funzione del tasto ain RUN TIME	nonE = Nessuna funzione tunE = Abilitazione Auto tune/Self Tune. La pressione del tasto (oltre 1 s) lancia l'auto tune oPLo = Modalità Manuale. La prima pressione del tasto mette lo strumento in manuale (OPLO), la seconda lo riporta in modalità Auto AAc = Reset Allarmet ASi = Riconoscimento Allarme (acknowledge) chSP = Selezione sequenziale del Set Point St.by = Modalità Stand by. La prima pressione del tasto mette lo strumento in Stand by, la seconda lo riporta in modalità Auto Str.t = Timer run/hold/reset P.run = Run del programma P.rES = Reset del programma P.r.H.r = Run/hold/reset del programma	tunE
C	122	diSP	Gestione del display	Spo = Set point operativo	SPO
C	123	di.cL	Colore del display	0 = Il colore del display è utilizzato per evidenziare lo scostamento dal Set point (PV - SP) 1 = Display rosso (fisso) 2 = Display verde (fisso) 3 = Display arancione (fisso)	2
	125	diS.t	Timeout del display	-- oFF (display sempre ON) -- 0.1... 99.59 (mm.ss)	oFF
C	126	fiLd	Filtro sull'uscita display	-- oFF (filtro disabilitato) -- Da 0.0 (oFF) a 20.0 (Unità ingegneristiche)	oFF
C	128	dSPu	Stato dello strumento all'alimentazione	AS.Pr = Riparte come si è spento Auto = Parte in automatico oP.0 = Parte in manuale con potenza di uscita pari a 0 St.bY = Starts in stand-by mode	Auto
C	129	oPr.E	Abilitazione modi operativi	ALL = Tutti i modi operativi selezionabili col parametro che segue Au.oP = Modalità Auto e Manuale (OPLO) selezionabili col parametro che segue Au.Sb = Solo la modalità Auto e Stand by selezionabili col parametro che segue	ALL
C	130	oPEr	Selezione modalità operativa	Se [129] oPr.E = ALL - Auto = Modalità Auto - oPLo = Modalità Manuale - St.bY = Modalità Stand by Se [129] oPr.E = Au.oP: - Auto = Modalità Auto - oPLo = Modalità Manuale Se [129] oPr.E = Au.Sb: - Auto = Modalità Auto - St.bY = Modalità Stand by	Auto

GRUPPO Ser - Parametri relativi all'interfaccia seriale					
Liv	N°	Param	Descrizione	Valori	Default
C	131	Add	Indirizzo strumento	-- oFF -- 1... 254	1
C	132	bAud	Velocità della linea (baud rate)	1200 = 1200 baud 2400 = 2400 baud 9600 = 9600 baud 19.2 = 19200 baud 38.4 = 38400 baud	9600
C	133	trSP	Selezione del valore da ritrasmettere (Master)	nonE = Non utilizzata (lo strumento è uno slave) rSP = Lo strumento diventa Master e ritrasmette il Set Point operativo PErc = Lo strumento diventa Master e ritrasmette la potenza di uscita	nonE

GRUPPO cOn - Parametri relativi ai consumi (Wattmetro)					
Liv	N°	Param	Descrizione	Valori	Default
C	134	Co.tY	Tipo di conteggio	oFF = Non utilizzato 1 = Potenza istantanea (kW) 2 = Energia consumata (kWh) 3 = Energia consumata durante l'esecuzione del programma. Questa misura parte da 0 al comando Run e termina alla fine del programma. Ad ogni ripartenza il conteggio si resetta 4 = Totalizzatore dei giorni lavorati. Ore di accensione dello strumento diviso per 24. 5 = Totalizzatore delle ore lavorate. Ore di accensione dello strumento. 6 = Totalizzatore dei giorni lavorati con soglia. Ore di accensione dello strumento diviso per 24 con forzatura in Stand-by al raggiungimento della soglia di [137] h.Job. 7 = Totalizzatore delle ore lavorate con soglia. Ore di accensione dello strumento con forzatura in Stand-by al raggiungimento della soglia di [137] h.Job. 8 = Totalizzatore dei giorni lavorati dal relè di regolazione. Ore in cui il relè di regolazione è stato ON diviso 24. 9 = Totalizzatore delle ore lavorate dal relè di regolazione. Ore in cui il relè di regolazione è stato ON. 10 = Totalizzatore dei giorni lavorati dal relè di regolazione con soglia. Ore in cui il relè di regolazione è stato ON diviso 24 con forzatura in Stand-by al raggiungimento della soglia di [137] h.Job. 11 = Totalizzatore delle ore lavorate dal relè di regolazione con soglia. Ore in cui il relè di regolazione è stato ON con forzatura in Stand-by al raggiungimento della soglia di [137] h.Job.	oFF
C	138	t.Job	Periodo di accensione (non resettabile)	1... 999 giorni 1... 999 ore	0

GRUPPO cAL - Parametri relativi alla calibrazione utente					
Liv	N°	Param	Descrizione	Valori	Default
C	139	AL.P	Punto inferiore calibrazione	Da -1999 a (AH.P - 10) Unità ingegneristiche	0
C	140	AL.o	Calibrazione Offset inferiore	-300... +300 (E.U.)	0
C	141	AH.P	Punto Superiore Calibrazione	Da (AL.P + 10) a 9999 Unità ingegneristiche	999.9
C	142	AH.o	Calibrazione Offset superiore	-300... +300	0

MODI OPERATIVI

Lo strumento, quando viene alimentato, comincia immediatamente a funzionare rispettando i valori dei parametri memorizzati in quel momento. Il comportamento dello strumento e le sue prestazioni sono in funzione dei valori dei parametri memorizzati.

All'accensione lo strumento partirà in uno dei seguenti modi, in funzione della specifica configurazione:

Modo Automatico: In modo Automatico lo strumento esegue il controllo e comanda la/le uscite regolante/i in funzione della misura attuale e dei valori impostati (set point, banda proporzionale, ecc.)

Modo manuale (OPLO): In modo Manuale il display superiore visualizza il valore misurato mentre il display inferiore indica la potenza [preceduta da H (riscaldamento) o c (raffreddamento)] e permette di modificare manualmente la potenza delle uscite regolanti (LED MAN acceso). Lo strumento NON esegue il controllo.






Modo Stand by (St.bY): In modo Stand by lo strumento si comporta come un indicatore, mostra sul display superiore il valore misurato, su quello inferiore il set point alternativamente ai messaggi "St.bY" e forza a zero la potenza delle uscite regolanti. Come abbiamo visto, è sempre possibile modificare il valore assegnato ad un parametro indipendentemente dal modo operativo selezionato.

Noi definiamo una qualunque di queste visualizzazioni "visualizzazione normale".

Come abbiamo visto, è sempre possibile modificare il valore assegnato ad un parametro indipendentemente dal modo operativo selezionato.



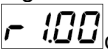

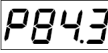



MODO AUTOMATICO

Funzione dei tasti quando lo strumento è in modo Automatico:

	Modo Operatore
	Consente di accedere alla modifica dei parametri
	Consente di visualizzare le "informazioni aggiuntive" (vedere di seguito)
	Consente di accedere alla "modifica diretta del set point" (vedere di seguito)
	Eseguirà l'azione programmata tramite il parametro [121] uSrb ( Funzione del tasto in RUN TIME).

Informazioni aggiuntive





Questi strumenti sono in grado di visualizzare alcune informazioni aggiuntive che possono aiutare a gestire il sistema. Le informazioni aggiuntive sono legate alla configurazione dello strumento ed in ogni caso solo alcune di esse potranno essere visualizzate.

- Quando lo strumento è in "visualizzazione normale", premere il tasto . Il display inferiore visualizzerà "H" o "c" seguito da un numero. Il valore indica la percentuale di potenza di uscita applicata al processo. Il simbolo "H" indica che l'azione è di riscaldamento mentre il simbolo "c" indica che è quella di raffreddamento
- Premere nuovamente il tasto . Quando un programma è in esecuzione il display inferiore visualizza il segmento in esecuzione e lo stato degli eventi come indicato di seguito:
 dove il primo carattere può essere "r" (ad indicare che il segmento in esecuzione è una rampa) oppure "S" (che indica che il segmento in esecuzione è una Stasi), il secondo digit indica il gruppo in esecuzione (es. S3 indica stasi 3) e i due digit meno significativi indicano lo stato dei 2 eventi (il digit meno significativo è relativo all'evento 2).
- Premere nuovamente il tasto . Quando un programma è in esecuzione il display inferiore visualizza il tempo teorico che manca alla fine del programma preceduto dalla lettera "P":

- Premere nuovamente il tasto . Quando la funzione wattmetro è in funzione il display inferiore visualizza "U" seguito dalla misura di energia misurata.
- Premere nuovamente il tasto . Quando la funzione "ore lavorate" è attiva, il display inferiore visualizza "d" per i giorni oppure "h" per le ore seguito dal tempo accumulato.
- Premere nuovamente il tasto . Lo strumento ritorna alla "visualizzazione normale".



Nota: La visualizzazione delle informazioni aggiuntive è soggetta ad un time out. Se non si preme alcun tasto per un periodo superiore a 10 secondi, lo strumento ritorna automaticamente alla “visualizzazione normale”.

Modifica diretta del Set Point

Questa funzione consente di modificare rapidamente il valore del set point selezionato tramite il parametro [83] A.SP (Selezione del set point attivo) oppure di modificare il valore di set point del segmento di programma quando il programma è in esecuzione.

1. Premere il tasto . Il display superiore visualizzerà l'acronimo del set point selezionato (es SP2), quello inferiore il valore del set point.
2. Tramite i tasti  e  assegnare al set point il valore desiderato
3. Non premere alcun pulsante per almeno 5 secondi o premere il tasto . In entrambe le casi lo strumento memorizza il nuovo valore e torna alla “visualizzazione normale”

MODO MANUALE

Questo modo operativo consente di disattivare il controllo automatico e assegnare manualmente la percentuale di potenza dell'uscita regolante. Quando si seleziona il modo manuale, il display superiore visualizza il valore misurato, mentre quello inferiore visualizzerà la potenza di uscita [preceduta da H (riscaldamento) o c (raffreddamento)]. La spia MAN è accesa. Quando si seleziona il modo manuale, lo strumento allinea la potenza di uscita all'ultimo valore calcolato dal modo automatico e può essere modificato utilizzando i tasti  e .

Nel caso di controllo ON/OFF, un valore pari a 0% spegne l'uscita mentre qualunque valore maggiore di 0 attiva l'uscita. Come nel caso della visualizzazione, i valori sono programmabili nel campo da H100 (100% della potenza di uscita con azione inversa) a c100 (100% della potenza di uscita con azione diretta).

Note:

- Durante il modo manuale, gli allarmi restano attivi.
- Se si mette lo strumento in Manuale durante l'esecuzione di un programma, l'esecuzione del programma viene congelata e riprenderà quando lo strumento torna alla modalità di funzionamento automatica.
- Se si mette lo strumento in modo manuale durante l'esecuzione del self-tuning, l'esecuzione del selftuning viene abortita.
- Durante il modo manuale tutte le funzioni non legate al controllo (wattmetro, timer indipendente, “ore lavorate”, ecc..) continuano ad operare normalmente.


MODO STAND-BY

Anche questo modo operativo disattiva il controllo automatico, ma le uscite regolanti vengono forzate a zero. Lo strumento si comporterà come un indicatore. Quando è stato selezionato il modo stand-by, il display superiore visualizza il valore misurato, mentre quello inferiore visualizzerà alternativamente il valore di set point ed il messaggio “St.bY”.

Note:


1. Durante il modo stand-by, gli allarmi relativi sono disattivati mentre quelli assoluti opereranno in funzione dell'impostazione del parametro ALx0 (abilitazione Allarme x durante il modo Stand-by).
2. Se si seleziona il modo stand-by durante l'esecuzione del programma, il programma verrà abortito.
3. Se si seleziona il modo stand-by durante l'esecuzione dell'Auto-tuning, l'Autotuning verrà abortito.
4. Durante il modo stand-by tutte le funzioni non legate al controllo (wattmetro, timer indipendente, “ore lavorate”, ecc..) continuano ad operare normalmente.
5. Al passaggio da modo stand-by a modo automatico, lo strumento riattiva la mascheratura degli allarmi, la funzione soft start e l'auto-tune (se programmato).

FUNZIONE DI AUTOTUNE (EVOTUNE)

EvoTUNE è una procedura rapida e totalmente automatica che può essere lanciata in qualsiasi condizione, senza tener conto della deviazione dal Set Point. Il regolatore seleziona automaticamente il metodo di tuning più opportuno e calcola il miglior set di parametri PID. La funzione Autotuning si avvia premendo per 3 s il tasto .

MESSAGGI DI ERRORE

Lo strumento visualizza le condizioni di OVER-RANGE (fuori campo verso l'alto) e di UNDER-RANGE (fuori campo verso il basso) con le seguenti indicazioni:

Over-range: 

Under-range 

La rottura del sensore verrà segnalata come un fuori campo: 

Nota: Quando viene rilevato un over-range o un under-range, gli allarmi opereranno come se lo strumento rilevasse rispettivamente il massimo o il minimo valore misurabile

Per verificare la condizione di fuori campo procedere come segue:

1. Verificare il segnale in uscita dal sensore e la linea di collegamento tra sensore e strumento.
2. Assicurarsi che lo strumento sia stato configurato per misurare tramite il sensore specifico, altrimenti modificare la configurazione di ingresso (vedere sezione 4).
3. Se non si rilevano errori, prendere accordi per inviare lo strumento al fornitore per una verifica funzionale.

Lista dei possibili errori

ErAT L'auto-tune tipo Fast non è in grado di partire. La misura è troppo vicina al set point. Premere il tasto per cancellare la segnalazione.

ouLd Sovraccarico sull'uscita Out 4 Il messaggio indica che c'è un cortocircuito sull'uscita Out 4 (se usata come uscita o come alimentatore per trasmettitore esterno). Quando il cortocircuito viene rimosso l'uscita torna a funzionare.

NoAt Dopo 12 ore, l'Autotuning non è ancora terminato.

ErEP Possibili problemi alla memoria dello strumento. Il messaggio scompare automaticamente. Se la segnalazione permane, prendere accordi per inviare lo strumento al fornitore.

RonE Possibili problemi alla memoria del firmware. Quando si verifica questo errore, prendere accordi per inviare lo strumento al fornitore.





Errt Possibili problemi alla memoria di calibrazione. Quando si verifica questo errore, prendere accordi per inviare lo strumento al fornitore.

RESET DI FABBRICA

A volte, ad esempio quando si riconfigura uno strumento utilizzato in precedenza per un'applicazione diversa, oppure da altri o si sono fatti test con uno strumento e si desidera riconfigurarli, può essere utile poter ricaricare la configurazione di fabbrica.

Questa azione consente di riportare lo strumento ad una condizione definita (come era alla prima accensione). I dati di default sono i dati caricati nello strumento dalla fabbrica prima della spedizione dell'apparecchio.

Per ricaricare i dati di default procedere come segue:

1. Premere il tasto  per più di 5 secondi. Il display superiore visualizzerà PASS mentre quello inferiore visualizzerà 0.
2. Con i tasti  e  impostare la password -481;
3. Premere il tasto .
4. Lo strumento dapprima spegnerà tutti i LED, poi visualizzerà il messaggio dFLt, in seguito accenderà tutti i LED per due secondi ed in fine si comporterà come se fosse stato riacceso.

La procedura è completa.

Nota: La lista completa dei parametri di default è riportata nel capitolo "procedura di configurazione"

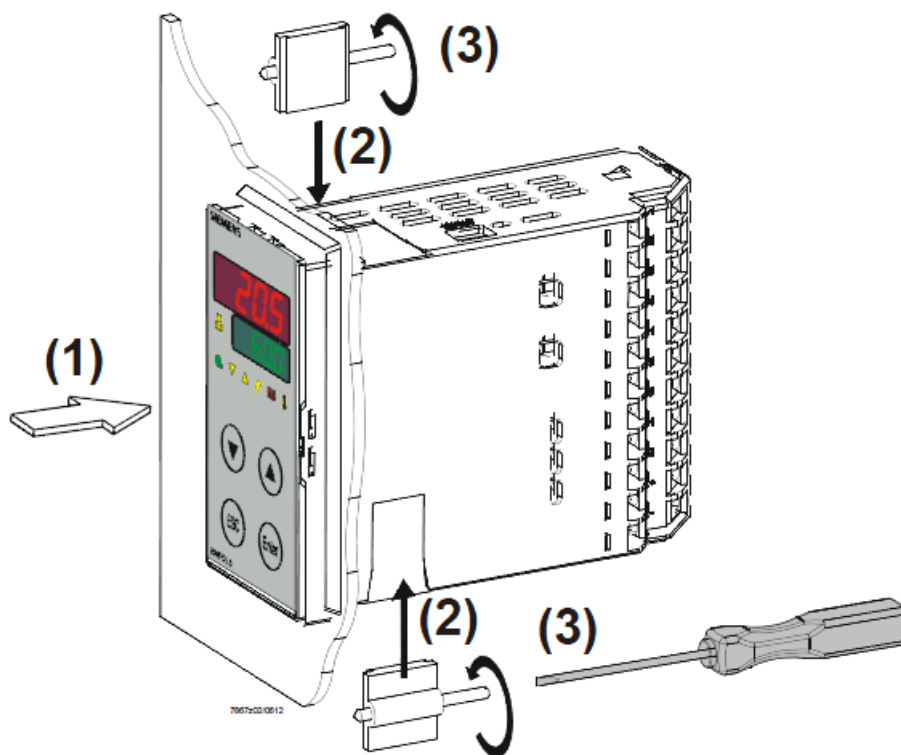
RWF55.5X & RWF55.6X



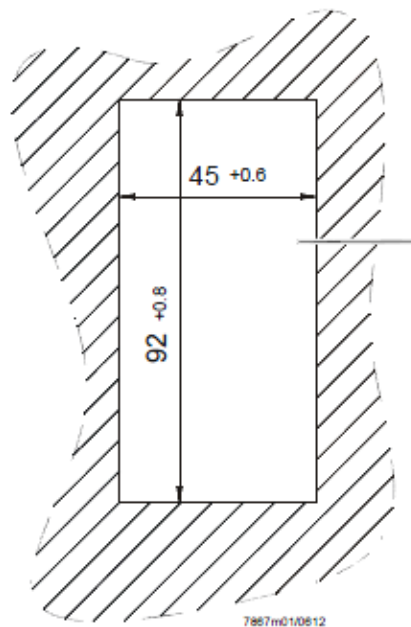
Manuale uso

MONTAGGIO STRUMENTO

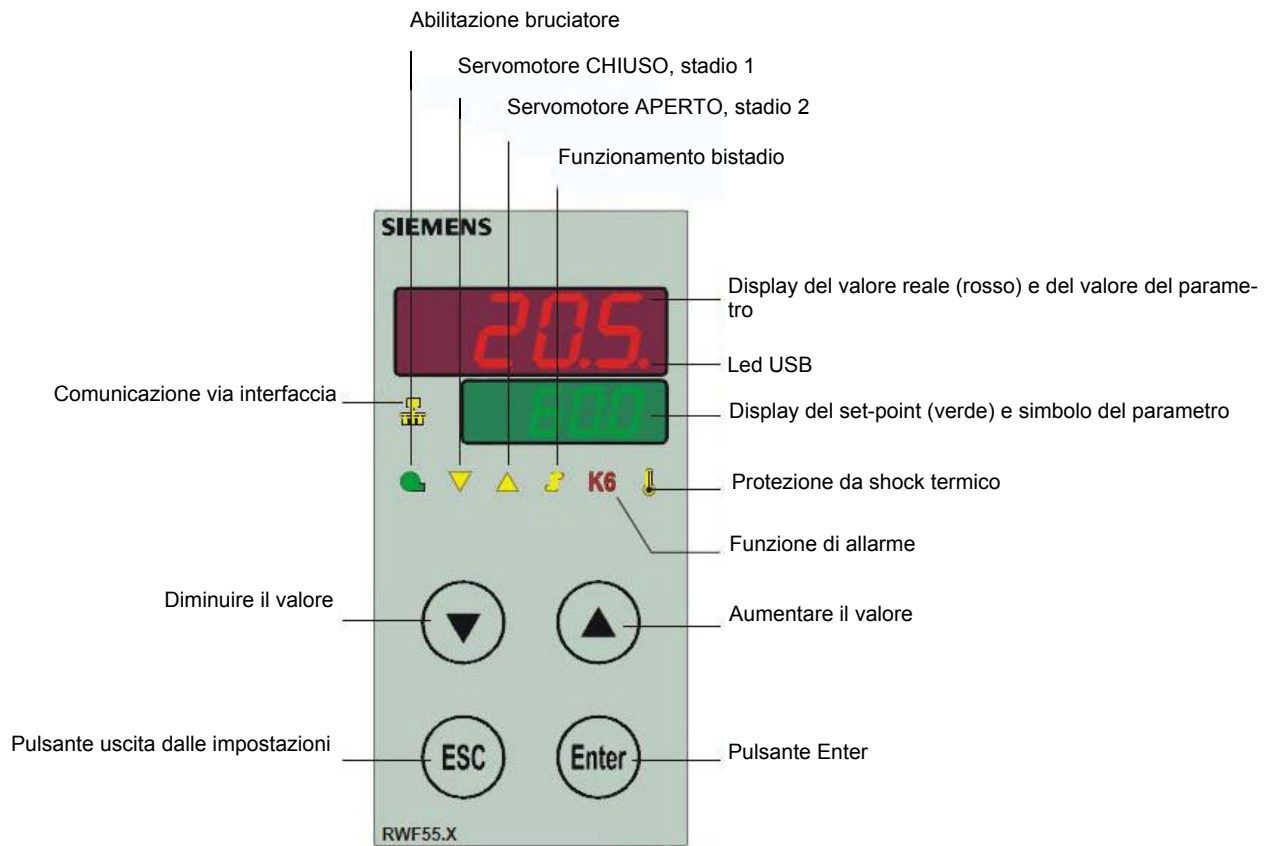
Sistema di fissaggio

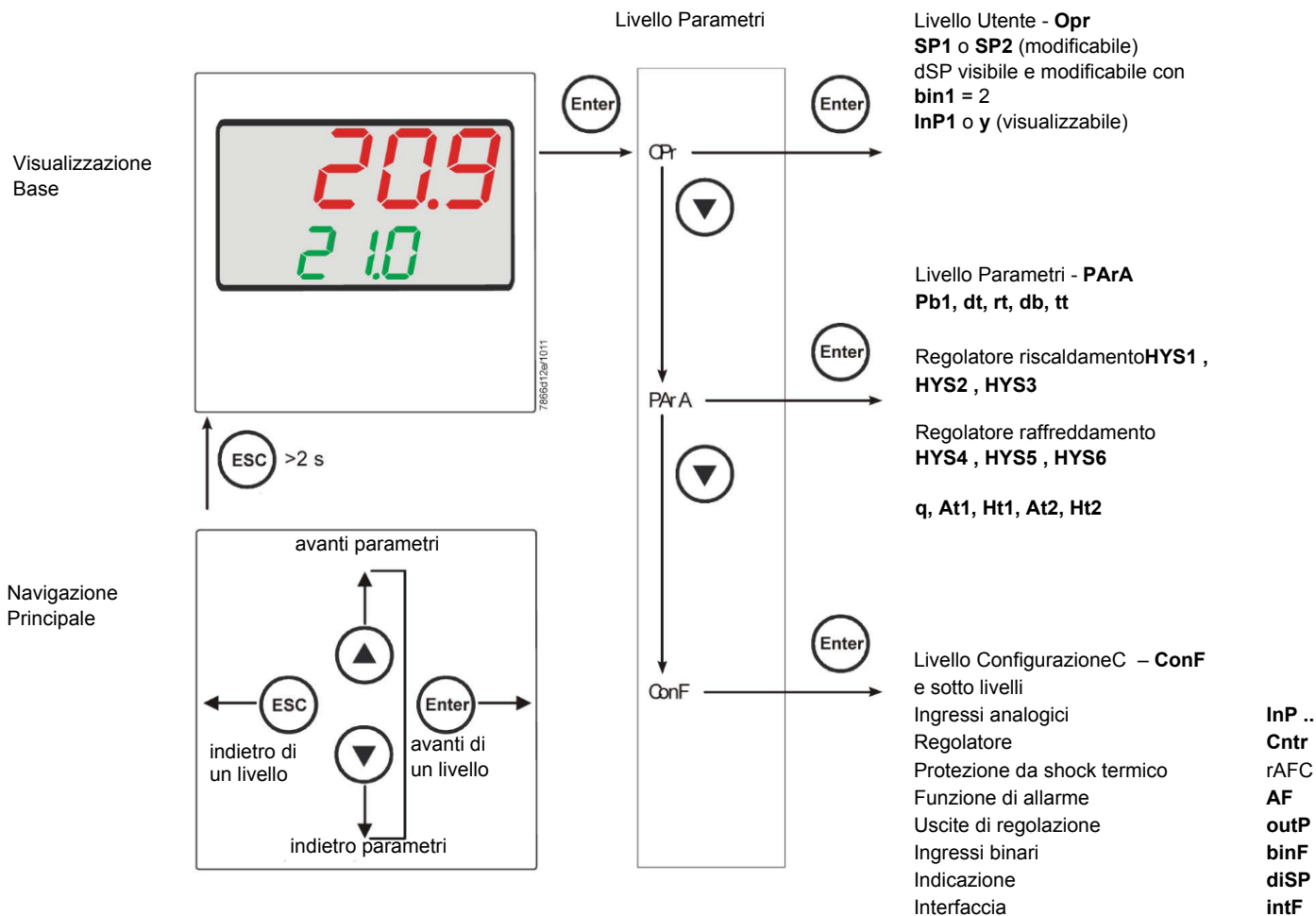


Dimensioni foratura:



FRONTALE STRUMENTO





Lo strumento esce dalla fabbrica già con alcune impostazioni valide per il 90% dei casi, comunque, per impostare o variare i parametri procedere in questo modo:

Impostazione o modifica del valore di set-point:

A bruciatore spento (contatti serie termostati/presostati aperti, cioè morsetti 3-4 aperti/T1-T2 spina 7 poli) premere il tasto **Enter**, nel display in basso (verde) appare **Opr**, ripremere **Enter**, e nel display in basso (verde) compare **SP1**, ripremere **Enter** ed il display in basso (verde) lampeggia, con le **frecche su e giù** impostare il valore del set-point sul display in alto (rosso). Per confermare il valore premere il tasto **Enter**, quindi **ESC** più volte per uscire e ritornare in funzionamento normale.

Controllo o modifica parametri PID dello strumento (PArA):

Premere il tasto **Enter** una volta, sul display verde compare la sigla **Opr**, con la **freccia giù** scorrere i livelli fino al gruppo **PArA** e premere **Enter**. A questo punto sul display verde compare **Pb1** e sul display rosso il valore impostato. Premendo in successione la **freccia giù** o **freccia su** ci si sposta da un parametro all'altro. Per cambiare il valore al parametro scelto, premere **Enter** e con la **freccia su** o la **freccia giù** impostare il valore desiderato, quindi premere **Enter** per confermare.

Parametro	Display	Campo valori	Taratura iniziale	Note
Banda proporzionale	Pb1	1... 9999 digit	10	Valore tipico per temperatura
Azione derivativa	dt	0... 9999 sec.	80	Valore tipico per temperatura
Azione integrale	rt	0... 9999 sec.	350	Valore tipico per temperatura T
Banda morta (*)	db	0... 999,9 digit	1	Valore tipico
Tempo di corsa servocomando	tt	10... 3000 sec.	15	Impostare tempo di corsa servocomando
Differenziale di accensione (*)	HYS1	0,0... -1999 digit	-5	Valore in meno del set-point che fa riaccendere il bruciatore (1N-1P chiude)
Differenziale spegnimento 2° stadio (*)	HYS2	0,0 ... HYS3	3	(attivo solo con parametro bin1 = 4)
Differenziale superiore di spegnimento (*)	HYS3	0,0... 9999 digit	5	Valore in più del set-point che fa spegnere il bruciatore (1N-1P apre)
Differenziale di accensione in funzionamento raffreddamento (*)	HYS4	0,0... 9999 digit	5	Non usato (attivo solo con parametro CACT = 0)
Differenziale accensione 2° stadio in funzionamento raffreddamento (*)	HYS5	HYS6...0,0 digit	5	Non usato (attivo solo con parametro CACT = 0 e con parametro bin1 = 4)
Differenziale superiore di spegnimento in funzionamento raffreddamento (*)	HYS6	0,0... -1999 digit	5	Non usato (attivo solo con parametro CACT = 0)
Ritardo consenso modulazione	q	0,0... 999,9 digit	0	Non modificare
Temperatura esterna (punto 1) (*)	At1	-40 ...120 digit	-10	Primo punto temperatura esterna curva climatica
Temperatura caldaia (punto 1) (*)	Ht1	SPL...SPH	60	Temperatura di set-point per la temperatura esterna 1
Temperatura esterna (punto 2) (*)	At2	-40 ...120 digit	20	Secondo punto temperatura esterna curva climatica
Temperatura caldaia (punto 2) (*)	Ht2	SPL...SPH	50	Temperatura di set-point per la temperatura esterna 2

(*) Parametri influenzati dall'impostazione della cifra decimale (**ConF** > **diSP** parametro **dECP**)

Impostazioni tipo sonda da collegare allo strumento:

Premere il tasto **Enter** una volta, sul display verde compare la sigla **Opr**, con la **freccia giù** scorrere i livelli fino al gruppo **ConF** e premere **Enter**.

A questo punto sul display verde compare il gruppo di parametri **InP**, premere nuovamente **Enter** e compare il gruppo di parametri **InP1**.

Premendo il tasto **Enter** ancora una volta, si entra nel gruppo parametri **InP1** e il display verde mostra il parametro **Sen1** (tipo di sensore), il display rosso visualizza il codice corrispondente al sensore impostato.

A questo punto premendo ancora **Enter** entro nel parametro e con la **freccia su e giù** posso cambiare il valore, una volta scelto, premere **Enter** per confermare e poi **ESC** per uscire dal parametro.

Una volta configurato il sensore con la **freccia giù** cambio parametro secondo le tabelle sottostanti :

ConF > InP > InP1

Parametro	Valore	Descrizione
SEn1	1	Pt100 3 fili
tipo di sensore ingresso analogico 1	2	Pt100 2 fili
	3	Pt1000 3 fili
	4	Pt1000 2 fili
	5	Ni1000 3 fili
	6	Ni1000 2 fili
	7	0 ÷ 135 ohm
	8	Cu-CuNi T
	9	Fe-CuNi J
	10	NiCr-Ni K
	11	NiCrSi-NiSi N
	12	Pt10Rh-Pt S
	13	Pt13Rh-Pt R
	14	Pt30Rh-Pt6Rh B
	15	0 ÷ 20mA
	16	4 ÷ 20mA
	17	0 ÷ 10V
	18	0 ÷ 5V
	19	1 ÷ 5V
	OFF1	-1999..0.. +9999
Offset sensore		
SCL1	-1999..0.. +9999	minimo valore scala (per ingressi ohm, mA, V)
minimo scala		
SCH1	-1999..100.. +9999	massimo valore scala (per ingressi ohm, mA, V)
massimo scala		
dF1	0...0,6...100	filtro digitale di 2° ordine (tempo in secondi 0 = filtro escluso)
filtro digitale		
Unit	1	1 = gradi Celsius
unità di misura temperatura	2	2 = gradi Fahrenheit

(valori in **grassetto** = valori di default nello strumento nuovo)

ConF > InP > InP2

Ingresso 2 : con questo ingresso è possibile impostare un set-point esterno, oppure una modifica del set-point.

Parametro	Valore	Descrizione
FnC2	0	0= nessuna funzione
	1	1= set-point esterno (viene visualizzato SPE)
	2	2 =modifica del set-point (viene visualizzato dSP)
	3	3 = segnale di risposta di posizione del servocomando bruciatore
SEn2 tipo di sensore ingresso analogico 2	1	0 ÷ 20mA
	2	4 ÷ 20mA
	3	0 ÷ 10V
	4	0 ÷ 5V
	5	1 ÷ 5V
	1	0 ÷ 20mA
OFF2 Offset sensore	-1999..0.. +9999	Correzione valore misurato dal sensore
SCL2 minimo scala	-1999..0.. +9999	minimo valore scala (per ingressi ohm, mA, V)
SCH2 massimo scala	-1999..100.. +9999	massimo valore scala (per ingressi ohm, mA, V)
dF2 filtro digitale	0...2...100	filtro digitale di 2° ordine (tempo in secondi 0 = filtro escluso)

(valori in **grassetto** = valori di default nello strumento nuovo)

ConF > InP > InP3

Ingresso 3 : con questo ingresso si rileva la temperatura esterna

Parametro	Valore	Descrizione
SEn3	0	0 = spenta
tipo di sensore ingresso analogico 3	1	1 = Termometro a resistenza Pt1000 a 2 fili
	2	2 = Termometro a resistenza LG-Ni1000 a 2 fili
OFF3 Offset sensore	-1999..0.. +9999	Correzione valore misurato dal sensore
dF3 filtro digitale	0...1278...1500	filtro digitale di 2° ordine (tempo in secondi 0 = filtro escluso)

(valori in **grassetto** = valori di default nello strumento nuovo)

ConF > Cntr

Qui vengono impostati il tipo di regolatore, la direzione di funzionamento, le soglie e le preimpostazioni per l'ottimizzazione automatica

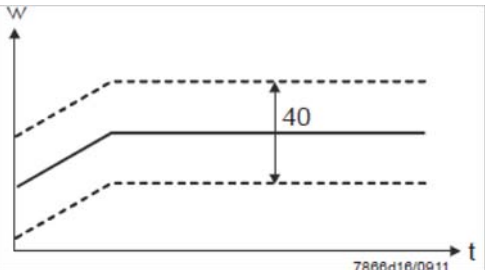
Parametro	Valore	Descrizione
CtYP	1	1 = uscita 3 punti (apri-stop-chiudi)
tipo di regolazionec	2	2 = uscita continua (0 ÷ 10V o 4 ÷ 20mA)
CACT	1	1 = azione di riscaldamento
azione di funzionamento	0	0 = azione di raffreddamento
SPL	-1999..0..+9999	minimo valore scala set-point
minimo scala set-point		
SPH	-1999..100..+999	massimo valore scala set-point
massimo scala set-point		
Ottimizzazione automatica	0 1	0 = Abilitata 1 = Bloccata L'ottimizzazione automatica può essere bloccata o abilitata solo tramite il software PC ACS411. L'ottimizzazione automatica viene bloccata anche quando il livello parametri è bloccato
oLLo	-1999.... +9999	minimo valore set-point di funzionamento
minimo set-point funziona- mento		
oLHi	-1999.... +9999	massimo valore set-point di funzionamento
massimo set-point funziona- mento		

(valori in **grassetto** = valori di default nello strumento nuovo)

ConF > rAFC

Attivazione protezione shock termica caldaia::

Il regolatore RWF55.. può attivare la funzione di protezione da shock termico, questo solo per impianti con set-point inferiori a 250°C come da parametro **rAL**

Parametro	Valore	Descrizione
FnCT	0 1 2	tipo di scala gradi/tempo da scegliere 0 = disattivato 1 = gradi Kelvin/minuto 2 = gradi Kelvin/ora
rASL	0,0 ... 999,9	visibile solo se FnCT diverso da 0; pendenza rampa di protezione termica; velocità di salita set-point in °K/minuto o °K/ora a seconda di FnCT
toLP	2 x (HYS1) = 10 ...9999	larghezza tolleranza rampa (in °K) rispetto al set-point 0 = banda di tolleranza disattivata
		
rAL	0...250	valore limite rampa; questo valore deve essere superiore al set-point ; se il valore reale supera questo valore il set-point andrà in funzione raffreddamento fino al valore di set-point

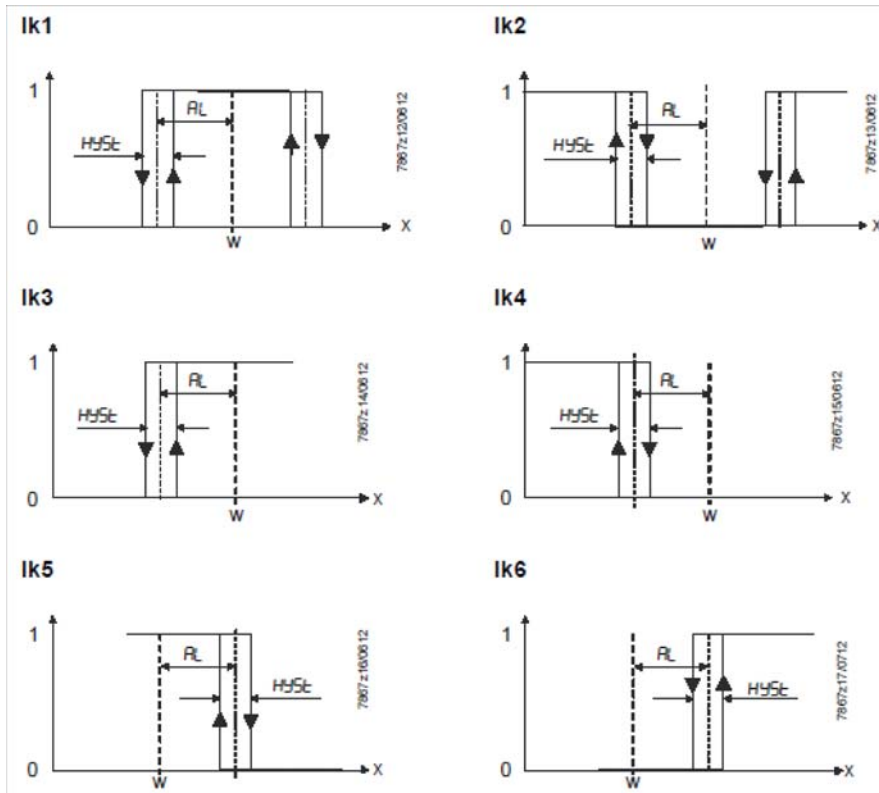
(valori in **grassetto** = valori di default nello strumento nuovo)

Funzione di allarmeAF

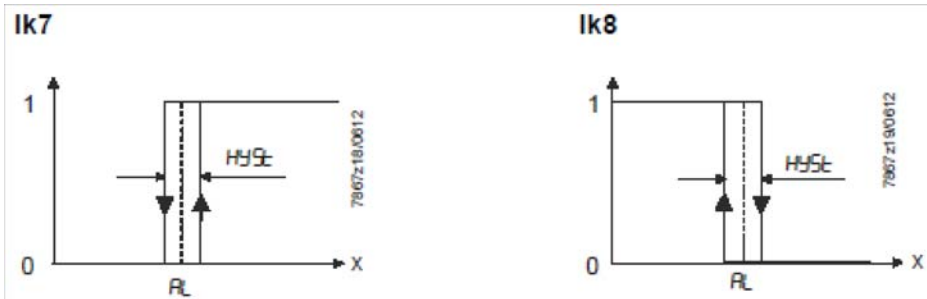
Con la funzione di allarme è possibile monitorare gli ingressi analogici. Al superamento del valore limite viene attivato il relè multifunzione **K6** (morsetti **6N** e **6P**) in funzione del comportamento di commutazione

La funzione di allarme può avere diverse funzioni di commutazione (Ik1-Ik8) ed è impostabile a una certa distanza dal setpoint attivo o da un valore limite fisso

Valore limite **AL** relativo al set-point (w)



Valore limite fisso **AL**



ConF > AF

Parametro	Valore	Descrizione
FnCt	0	0 = Nessuna funzione
tipo di controllo	1	Ik1 = monitora ingressoInP1
	2	Ik2 = monitora ingressoInP1
	3	Ik3 = monitora ingressoInP1
	4	Ik4 = monitora ingressoInP1
	5	Ik5 = monitora ingressoInP1
	6	Ik6 = monitora ingressoInP1
	7	Ik7 = monitora ingressoInP1
	8	Ik8 = monitora ingressoInP1
	9	Ik7 = monitora ingressoInP2
	10	Ik8 = monitora ingressoInP2
	11	Ik7 = monitora ingressoInP3
	12	Ik8 = monitora ingressoInP3
Valore limite AL	-1999 ... 0 1999	Valore limite da monitorare o distanza dal setpoint per intervento relè K6 (vedere funzioni di allarme Ik1+Ik8: valore AL) Gamma di valori per Ik1 e Ik20 ...9999
HySt differenziale di commutazione	0... 1... 9999	Differenziale di commutazione per valore limite AL
ACrA comportamento in caso di fuori range	0	Spenta ON Stato della commutazione quando la gamma di misurazione viene superata o non raggiunta (Out of Range)

(valori in **grassetto** = valori di default nello strumento nuovo)

ConF > OutP

Per la modulazione del bruciatore l'RWF55 dispone di uscite a relè (morsetti KQ, K2, K3) e di un'uscita analogica (morsetti A+, A-).L'abilitazione del bruciatore avviene tramite il relè K1 (morsetti 1N -1P)F.

Le uscite a relè di RWF55 non possono essere impostate

L'RWF55 è dotato di un'uscita analogica.

L'uscita analogica presenta le seguenti possibilità di impostazione:

Parametro	Valore	Descrizione
FnCt	1	1 = ripetizione ingresso analogico 1 con eventuale conversione
tipo di controllo	2	2 = ripetizione ingresso analogico 2 con eventuale conversione
	3	3 = ripetizione ingresso analogico 3 con eventuale conversione
	4	4 = posizione servocomando
SiGn tipo segnale di uscita	0	uscita di comando continua (morsetti A+, A-) 0 = 0÷20mA
	1	1 = 4÷20mA
	2	2 = 0÷10V DC
rOut valore quando fuori range	0 ...101	segnale in percentuale quando l'ingresso è fuori range
oPnt valore minimo uscita	-1999... 0 ..+9999	A un segnale fisico di uscita viene assegnata una gamma di valori di uscita (per FnCt = 1, 2, 3)
End valore massimo uscita	-1999... 100 ..+9999	A un segnale fisico di uscita viene assegnata una gamma di valori di uscita (per FnCt = 1, 2, 3)

(valori in **grassetto** = valori di default nello strumento nuovo)

ConF > binF

Configurazione ingressi binari morsetti **D1, D2, DG**

b

Parametro	Valore	Descrizione
bin1 ingresso digitale 1 (morsetti DG – D1)	0 1 2 3	0 = funzione disabilitata 1 = cambio set-point (SP1 / SP2) 2 = I modifica set-point (Opr > dSP = valore della modifica set-point) 3 = ingresso allarme
bin2 ingresso digitale 2 (morsetti DG – D2)	4	cambio della modalità di funzionamento DG-D2 aperto = funzionamento modulante DG-D2 chiuso = funzionamento 2 stadi

(valori in **grassetto** = valori di default nello strumento nuovo)

ConF > disp

Entrambi i display possono essere adattati in base alle esigenze configurando il valore visualizzato, cifra decimale, time out e blocco

Parametro	Valore	Descrizione
diSU display superiore (rosso)	0 1 2 3 4 6 7	Valore visualizzato sul display superiore: 0 = display spento 1 = valore ingresso analogico 1 (InP1) 2 = valore ingresso analogico 2 (InP2) 3 = valore ingresso analogico 3 (InP3) 4 = posizione servomotore bruciatore 6 = valore set-point 7 = valore finale con protezione shock termico
diSL display inferiore (verde)	0 1 2 3 4 6 7	Valore visualizzato sul display inferiore: 0 = display spento 1 = valore ingresso analogico 1 (InP1) 2 = valore ingresso analogico 2 (InP2) 3 = valore ingresso analogico 3 (InP3) 4 = posizione servomotore bruciatore 6 = valore set-point 7 = valore finale con protezione shock termico
tout timeout	0.. 180 ..250	tempo in secondi, in cui il regolatore torna automaticamente alla visualizzazione base se non vengono premuti pulsanti
dECP punto decimale	0 1 2	0 = nessun decimale mostrato 1 = un decimale mostrato 2 = due decimali mostrati
CodE livelli di blocco	0 1 2 3	0 = nessun blocco 1 = blocco livello configurazione (ConF) 2 = blocco livello parametri e configurazione (PArA & ConF) 3 = blocco completo dei tasti

(valori in **grassetto** = valori di default nello strumento nuovo)

ConF > IntF

Il regolatore può essere integrato in una rete dati mediante un'interfaccia RS-485 (morsetti R+ e R-) o un'interfaccia Profibus DP(solo con modello **RWF55.6x** morsetti C1-C2-C3-C4)

Parametro	Valore	Descrizione
bdrt	0	0 = 4800 baud
baudrate	1	1 = 9600 baud
	2	2 = 19200 baud
	3	3 = 38400 baud
Adr	0..	Indirizzo dello strumento nella rete dati
Indirizzo Modbus dell'apparecchio	1.. 254	
dP	0.. 125	solo con RWF55.6x
Indirizzo Profibus dell'apparecchio		
dt	0..	0 = spento
Remote detection time	30..	
	7200s	

(valori in **grassetto** = valori di default nello strumento nuovo)

Comando manuale del regolatore :

Per comandare manualmente la potenza del bruciatore, con il bruciatore in funzione, premere il tasto **ESC** per 5 sec., sul display sotto verde compare la scritta **Hand**.

A questo punto con la **freccia sù** e la **freccia giù** si aumenta o diminuisce la potenza del bruciatore.

Per uscire dalla modalità manuale premere il tasto **ESC** per 5 sec.

NB: Ogni volta che il regolatore spegne il bruciatore (led consenso partenza spento - contatto 1N-1P aperto) alla riaccensione del bruciatore la funzione manuale è esclusa.

Autoadattamento dello strumento (auto-tuning):

Se il bruciatore a regime non risponde bene alle richieste del generatore di calore si può avviare la funzione di auto taratura dello strumento, il quale provvederà a ricalcolarsi i valori PID più idonei a quel tipo di richieste



Per avviare questa funzione procedere così:

Premere contemporaneamente per 5 secondi la **freccia sù** e la **freccia giù**.

Sul display sotto (verde) appare **tUnE**, e lo strumento costringerà il bruciatore a degli aumenti e diminuzioni di potenza.

Durante queste variazioni di potenza lo strumento calcola i parametri **PID** (banda proporzionale (**Pb1**), tempo derivativo (**dt**), tempo integrale (**rt**). Alla fine del calcolo la funzione **tUnE** si autodisabilita e lo strumento ha memorizzato i nuovi parametri.

Volendo escludere la funzione di autoadattamento una volta iniziata premere nuovamente insieme per 5 secondi la **freccia sù** e la **freccia giù**.

I parametri **PID** calcolati dallo strumento possono in ogni momento essere modificati manualmente seguendo le istruzioni precedentemente illustrate.

Versione software regolatore :

Per visualizzare la versione software dello strumento premere **Enter** + **freccia sù** .
Il regolatore mostrerà nel display superiore la versione del software.



Gestione del set-point in funzione delle condizioni climatiche (regolazione climatica):

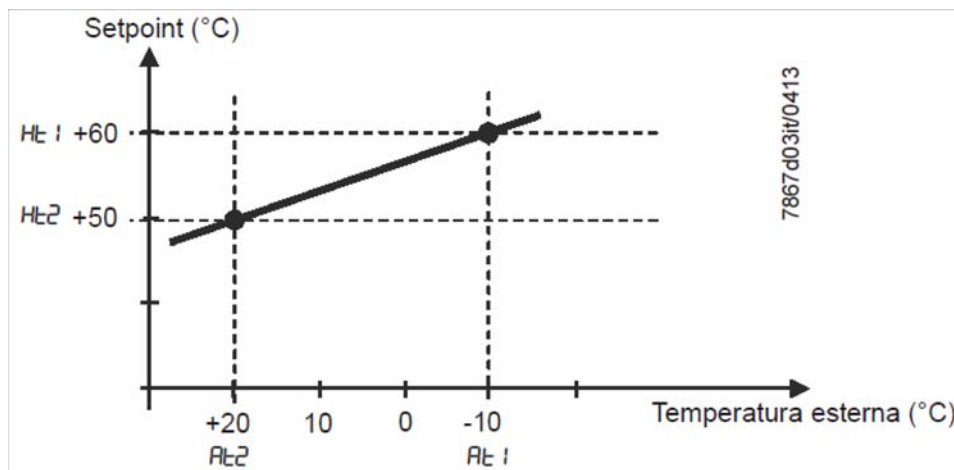
L'RWF55... può essere configurato con una gestione del set-point in funzione delle condizioni climatiche, collegando una sonda esterna LG-Ni1000 o Pt1000 (vedi parametri **InP3**).

Per la gestione del set-point in funzione delle condizioni climatiche non viene impiegata la temperatura esterna attuale, bensì un valore che modifica il set-point in funzione della temperatura esterna.

I valori minimo e massimo del set-point possono essere impostati entro i relativi limiti inferiore **SPL** e superiore **SPH** del gruppo menù **Crtr**.

La soglia inferiore di funzionamento **oLLo** e quella superiore **oLHi**, del gruppo menù **Crtr**, rappresentano un'ulteriore protezione per evitare il superamento dei valori limite di temperatura dell'impianto.

La curva di riscaldamento illustra la correlazione tra il setpoint della temperatura della caldaia e la temperatura esterna. Viene definita da 2 punti base. L'utente definisce per le due temperature esterne il rispettivo setpoint che si desidera per la temperatura della caldaia. Ciò consente il calcolo della curva di riscaldamento per il setpoint dipendente dalle condizioni climatiche. Il setpoint attivo per la temperatura della caldaia viene limitato dal valore limite inferiore **SPL** e superiore **SPH**.



Per attivare e impostare la funzione regolazione climatica impostare:

PArA > parametri **At1**, **Ht1**, **At2**, **Ht2**

ConF > **InP** > **InP3** parametri **SEn3**, **Fnc3** = 1 (set-point secondo condizioni meteo).

Interfaccia Modbus

Le tabelle contenute nel presente capitolo contengono gli indirizzi dei valori a cui il cliente può accedere per la lettura o la scrittura. Il cliente può leggere e/o scrivere i valori con programmi SCADA, SPS o applicazioni simili.

Le voci indicate in Accesso hanno il significato seguente:

R/O Read Only, valore disponibile in sola lettura

R/W Read/Write, è possibile leggere e scrivere il valore

Il numero di caratteri indicato nella stringa sotto Tipo di dati comprende lo \0 finale.

Char10 significa che il testo ha fino a 9 caratteri, a cui si aggiunge l'identificativo finale \0.

Livello utente

Indirizzo	Accesso	Tipo di dati	Nome del segnale	Parametro
0x0000	R/O	Float	X1	Ingresso analogico InP1
0x0002	R/O	Float	X2	Ingresso analogico InP2
0x0004	R/O	Float	X3	Ingresso analogico InP2
0x0006	R/O	Float	WR	Setpoint attuale
0x0008	R/W	Float	SP1	Setpoint 1
0x000A	R/W	Float	SP2 (= dSP)	Setpoint 2
0x1035	R/O	Float	---	Ingresso analogico InP3 (non filtrato)
0x1043	R/O	Float	---	Posizione attuale servomotore
0x1058	R/O	Word	B1	Allarme bruciatore

Livello parametri

Indirizzo	Accesso	Tipo di dati	Nome del segnale	Parametro
0x3000	R/W	Float	Pb1	Banda proporzionale 1
0x3004	R/W	Float	dt	Tempo derivativo
0x3006	R/W	Float	rt	Tempo dell'azione integrale
0x300C	R/W	Float	db	Banda morta
0x3012	R/W	Word	tt	Tempo di corsa del servomotore
0x3016	R/W	Float	HYS1	Soglia di accensione
0x3018	R/W	Float	HYS2	Soglia di spegnimento inferiore
0x301A	R/W	Float	HYS3	Soglia di spegnimento superiore
0x301C	R/W	Float	HYS4	Soglia di accensione (raffreddamento)
0x301E	R/W	Float	HYS5	Soglia di spegnimento inferiore (raffreddamento)
0x3020	R/W	Float	HYS6	Soglia di spegnimento superiore (raffreddamento)
0x3022	R/W	Float	q	Soglia di reazione
0x3080	R/W	Float	At1	Temperatura esterna 1
0x3082	R/W	Float	Ht2	Temperatura caldaia 1
0x3084	R/W	Float	At2	Temperatura esterna 2
0x3086	R/W	Float	Ht2	Temperatura caldaia 2

Livello di configurazione

Indirizzo	Accesso	Tipo di dati	Nome del segnale	Parametro
0x3426	R/W	Float	SCL1	Inizio display ingresso 1
0x3428	R/W	Float	SCH1	Fine display ingresso 1
0x3432	R/W	Float	SCL2	Valore iniziale ingresso 2
0x3434	R/W	Float	SCH2	Valore finale ingresso 2
0x3486	R/W	Float	SPL	Inizio limitazione valore setpoint
0x3488	R/W	Float	SPH	Termine limitazione valore setpoint
0x342A	R/W	Float	OFFS1	Offset ingresso E1
0x3436	R/W	Float	OFFS2	Offset ingresso E2
0x343A	R/W	Float	OFFS3	Offset ingresso E3
0x1063	R/W	Word	FnCt	Funzione di rampa
0x1065	R/W	Float	rASL	Aumento valore rampa
0x1067	R/W	Float	toLP	Banda di tolleranza rampa
0x1069	R/W	Float	rAL	Valore limite
0x1075	R/W	Float	dtT	Remote Detection Timer
0x1077	R/W	Float	dF1	Costante filtro ingresso 1
0x1079	R/W	Float	dF2	Costante filtro ingresso 2
0x107B	R/W	Float	dF3	Costante filtro ingresso 3
0x107D	R/O	Float	oLLo	Soglia inferiore di funzionamento
0x107F	R/O	Float	oLHi	Soglia superiore di funzionamento
0x106D	R/W	Word	FnCt	Funzione relè allarme
0x106F	R/W	Float	AL	Valore limite relè allarme (valore limite allarme)
0x1071	R/W	Float	HYSt	Isteresi relè allarme

Funzionamento remoto

Indirizzo	Accesso	Tipo di dati	Nome del segnale	Parametro
0x0500	R/W	Word	REM	Attivazione funzionamento remoto *
0x0501	R/W	Word	rOFF	Regolatore OFF in setpoint remoto **
0x0502	R/W	Float	rHYS1	Soglia di accensione in remoto
0x0504	R/W	Float	rHYS2	Soglia di spegnimento inferiore in remoto
0x0506	R/W	Float	rHYS3	Soglia di spegnimento superiore in remoto
0x0508	R/W	Float	SPr	Setpoint remoto
0x050A	R/W	Word	RK1	Abilitazione bruciatore funzionamento remoto
0x050B	R/W	Word	RK2	Relè K2 funzionamento remoto
0x050C	R/W	Word	RK3	Relè K3 funzionamento remoto
0x050D	R/W	Word	RK6	Relè K6 funzionamento remoto
0x050E	R/W	Word	rStEP	Gestione fase funzionamento remoto
0x050F	R/W	Float	rY	Uscita posizione servomotore funzionamento remoto
0x0511	R/W	Float	rHYS4	Soglia di accensione in remoto (raffreddamento)
0x0513	R/W	Float	rHYS5	Soglia di spegnimento inferiore in remoto (raffreddamento)
0x0515	R/W	Float	rHYS6	Soglia di spegnimento superiore in remoto (raffreddamento)

Legenda

* = Locale

** = Regolatore OFF

Dati dell'apparecchio

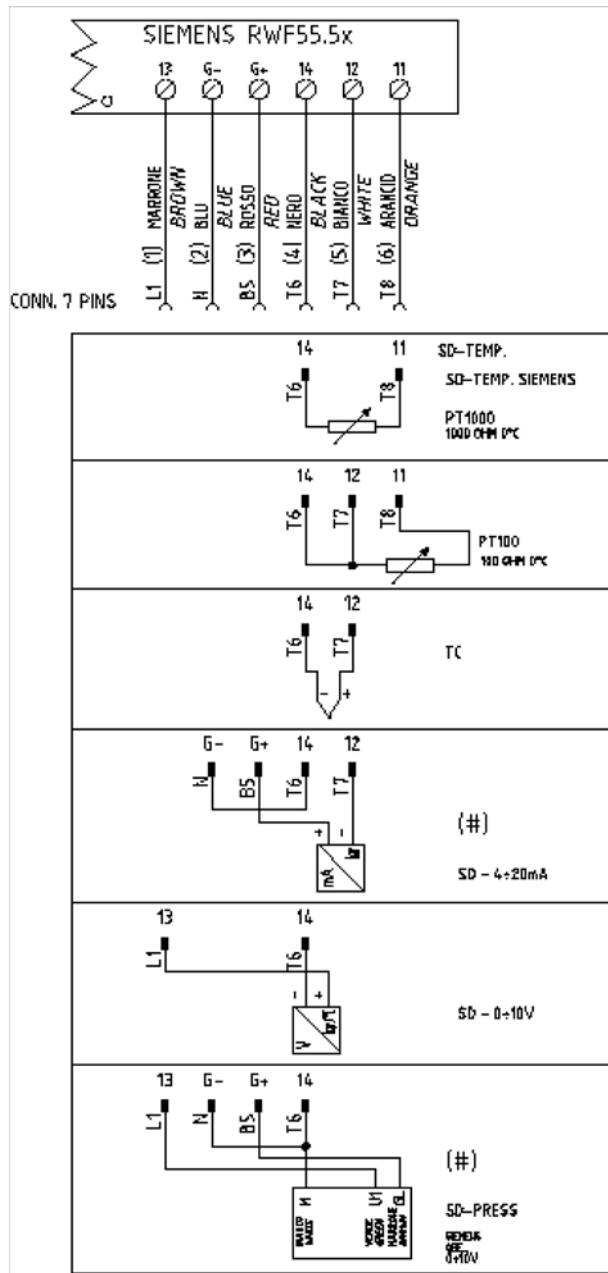
Indirizzo	Accesso	Tipo di dati	Nome del segnale	Parametro
0x8000	R/O	Char12	---	Versione software
0x8006	R/O	Char14	---	Numero VdN

Stato dell'apparecchio

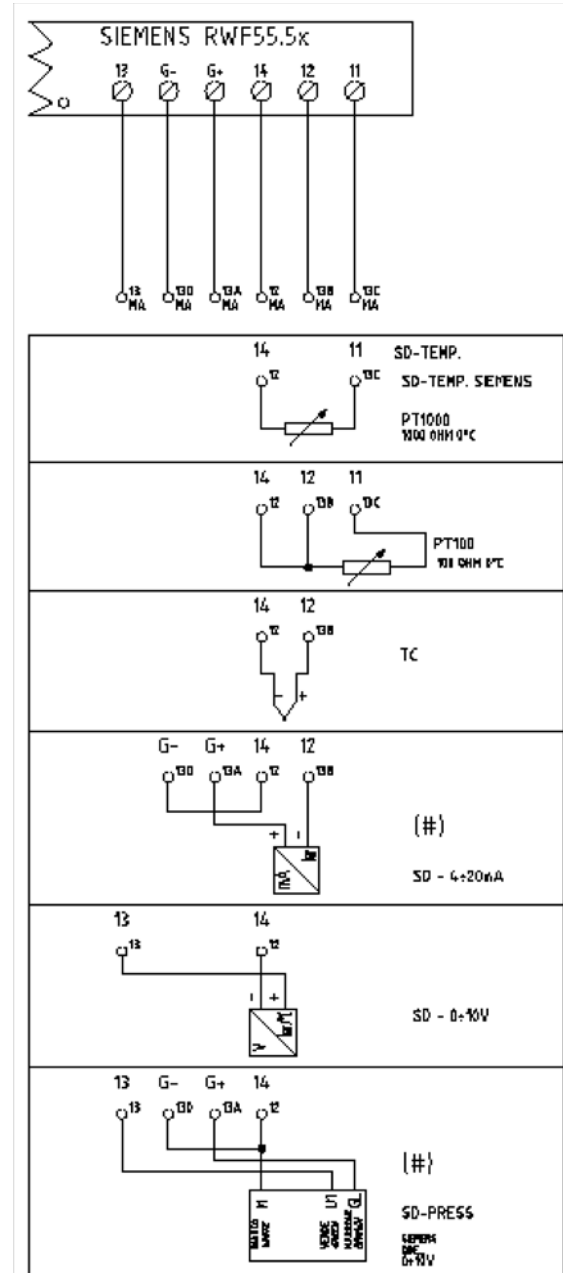
Indirizzo	Accesso	Tipo di dati	Nome del segnale	Parametro
0x0200	R/O	Word	---	Uscite e stati
			Bit 0	Uscita 1
			Bit 1	Uscita 3
			Bit 2	Uscita 2
			Bit 3	Uscita 4
			Bit 8	Limitazione isteresi
			Bit 9	Sistema di controllo
			Bit 10	Ottimizzazione automatica
			Bit 11	Secondo setpoint
			Bit 12	Superamento della gamma di misurazione InP1
			Bit 13	Superamento della gamma di misurazione InP2
			Bit 14	Superamento della gamma di misurazione InP3
			Bit 15	Modalità calibrazione
0x0201	R/O	Word	---	Segnali binari e riconoscimento hardware
			Bit 0	Funzionamento bistadio
			Bit 1	Funzionamento manuale
			Bit 2	Ingresso binario D1
			Bit 3	Ingresso binario D2
			Bit 4	Funzione termostato
			Bit 5	Prima uscita regolatore
			Bit 6	Seconda uscita regolatore
			Bit 7	Relè allarme
			Bit 13	Uscita analogica disponibile
			Bit 14	Interfaccia disponibile

Collegamenti elettrici :

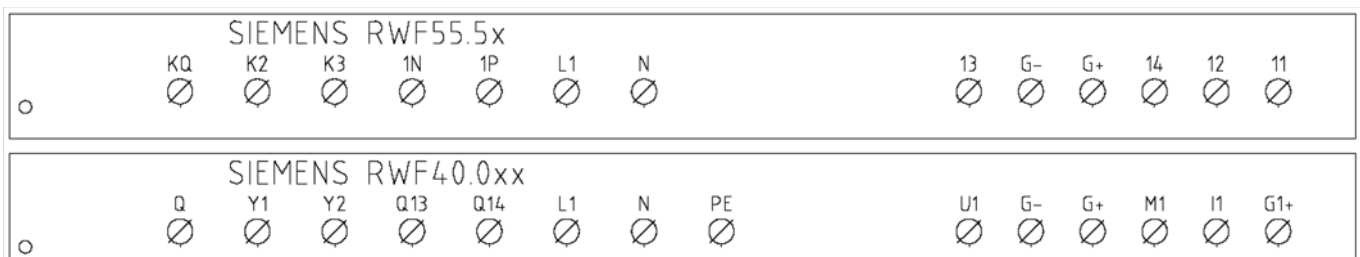
Versioni con connettore 7 poli



Versione con morsetti



Correspondences bornes entre RWF55.5x y RWF40.0x0 / Corrispondenze morsetti tra RWF55.5x e RWF40.0x0



RWF55.xx :

Navigazione menù	ConF					ConF			PARA						Opr
	Inp							diSP							
	Inp1					Cntr		dECP							
	SEn1	OFF1	SCL	SCH	Unit	SPL	SPH		Pb. 1	dt	rt	tt	HYS1 (*)	HYS3 (*)	SP1 (*)
Siemens QAE2120...	6	0	ininfluente	ininfluente	1	30	95	1	10	80	350	(#)	-5	5	80 °C
Siemens QAM2120..	6	0	ininfluente	ininfluente	1	0	80	1	10	80	350	(#)	-2,5	2,5	40°C
Pt1000 (130°C max.)	4	0	ininfluente	ininfluente	1	30	95	1	10	80	350	(#)	-5	5	80°C
Pt1000 (350°C max.)	4	0	ininfluente	ininfluente	1	0	350	1	10	80	350	(#)	-5	10	80°C
Pt100 (130°C max.)	1	0	ininfluente	ininfluente	1	0	95	1	10	80	350	(#)	-5	5	80°C
Pt100 (350°C max)	1	0	ininfluente	ininfluente	1	0	350	1	10	80	350	(#)	-5	10	80°C
Sonda 4+20mA / 0+1,6bar	16	0	0	160	ininfluente	0	160	0	5	20	80	(#)	0	20	100 kPa
Sonda 4+20mA / 0+3bar	16	0	0	300	ininfluente	0	300	0	5	20	80	(#)	0	20	200 kPa
Sonda 4+20mA / 0+10bar	16	0	0	1000	ininfluente	0	1000	0	5	20	80	(#)	0	50	600 kPa
Sonda 4+20mA / 0+16bar	16	0	0	1600	ininfluente	0	1600	0	5	20	80	(#)	0	80	600 kPa
Sonda 4+20mA / 0+25bar	16	0	0	2500	ininfluente	0	2500	0	5	20	80	(#)	0	125	600 kPa
Sonda 4+20mA / 0+40bar	16	0	0	4000	ininfluente	0	4000	0	5	20	80	(#)	0	200	600 kPa
Sonda 4+20mA / 0+60PSI	16	0	0	600	ininfluente	0	600	0	5	20	80	(#)	0	30	300 (30PSI)
Sonda 4+20mA / 0+200PSI	16	0	0	2000	ininfluente	0	2000	0	5	20	80	(#)	0	75	600 (60PSI)
Sonda 4+20mA / 0+300PSI	16	0	0	3000	ininfluente	0	3000	0	5	20	80	(#)	0	120	600 (60PSI)
Siemens QBE2002 P4	17	0	0	400	ininfluente	0	400	0	5	20	80	(#)	0	20	200 kPa
Siemens QBE2002 P10	17	0	0	1000	ininfluente	0	1000	0	5	20	80	(#)	0	50	600 kPa
Siemens QBE2002 P16	17	0	0	1600	ininfluente	0	1600	0	5	20	80	(#)	0	80	600 kPa
Siemens QBE2002 P25	17	0	0	2500	ininfluente	0	2500	0	5	20	80	(#)	0	125	600 kPa
Siemens QBE2002 P40	17	0	0	4000	ininfluente	0	4000	0	5	20	80	(#)	0	200	600 kPa
Segnale 0+10V	17	0	ininfluente	ininfluente	ininfluente	ininfluente	ininfluente	ininfluente	5	20	80	(#)	da definire	da definire	da definire
Segnale 4+20mA	16	0	ininfluente	ininfluente	ininfluente	ininfluente	ininfluente	ininfluente	5	20	80	(#)	da definire	da definire	da definire

NOTE:

(#) tt - tempo corsa servocomando

SQL33 ; STM30; SQM10; SQM40; SQM50; SQM54 = 30 (secondi) - STA12B3.41; SQN30.251; SQN72.4A4A20 = 12 (secondi)

(*) Valori impostati in fabbrica, tali valori dovranno essere variati in funzione dell'effettiva temperatura/pressione di lavoro dell'impianto

ATTENZIONE :

Con sonde di pressione in bar i parametri SP1, SCH, SCL, HYS1, HYS3 devono essere impostati, e visualizzati in kPa (chilo Pascal); 1bar = 100.000Pa = 100kPa.

Con sonde di pressione in PSI i parametri SP1, SCH, SCL, HYS1, HYS3 devono essere impostati, e visualizzati in PSI x10 (esempio : 150PSI > visualizzo 1500).

APPENDICE: COLLEGAMENTI SONDE

Per poter assicurare il massimo confort, il sistema di regolazione necessita di informazioni, affidabili, ottenibili a condizione che le sonde siano installate correttamente.

Le sonde misurano e trasmettono tutte le variazioni che si verificano in corrispondenza della loro ubicazione.

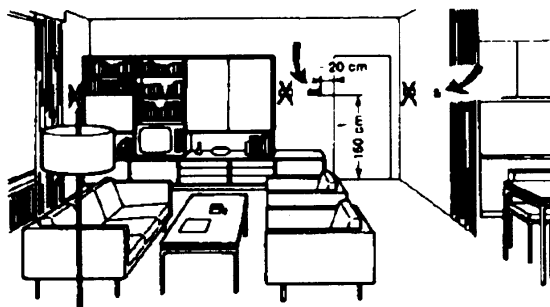
La misura avviene in base alle caratteristiche costruttive (costante di tempo) e secondo ben definite condizioni di impiego.

Con i collegamenti elettrici sotto traccia è necessarioappare la guaina (o tubo) contenente i fili in corrispondenza della morsettera della sonda affinché l'eventuale corrente d'aria non influisca sulla misura della sonda.

Sonde ambiente (o termostati ambiente)

Montaggio

Le sonde (o termostati ambiente) devono essere ubicate nei locali di riferimento in posizione da effettuare una misura reale della temperatura senza che sia influenzata da fattori estranei.

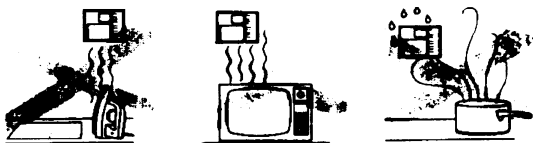


Sonde esterne (climatiche) Montaggio

Negli impianti di riscaldamento o condizionamento in cui è prevista la compensazione in funzione della temperatura esterna, l'ubicazione della sonda è fondamentale.

Essere ammirata è bello ... essere efficace è meglio!

Impianti di riscaldamento: la sonda ambiente non deve essere montata nei locali con corpi scaldanti completi di valvole termostatiche. Evitare tutte le fonti di calore estraneo all'impianto e fonti di freddo come una parete esterna.

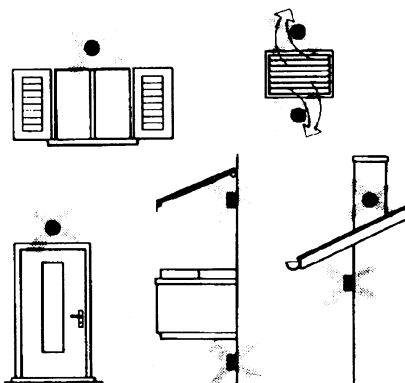
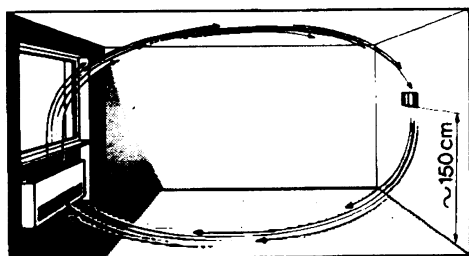


Regola generale: en sulla parete esterna dell'edificio corrispondente ai locali di soggiorno, mai sulla facciata rivolta a sud o in posizione da essere interessata dall'irraggiamento solare del mattino. Nei casi dubbi ubicarle sulla facciata a nord o nord-ovest.

Posizioni da evitare

Ubicazione

Su una parete interna opposta ai corpi scaldanti altezza dal pavimento 1,5m lontano, minimo 1,5m, dalle fonti esterne di calore (o freddo).



Posizione di montaggio da evitare

in prossimità di scaffali o nicchie, in prossimità di porte o finestre, all'interno di pareti esterne esposte all'irraggiamento solare o a correnti d'aria fredda, su pareti interne attraversate da tubazioni dell'impianto di riscaldamento, dell'acqua calda di consumo, da tubazioni dell'impianto di raffreddamento.

Evitare montaggi in prossimità di finestre, griglie di areazione, all'esterno del locale caldaia, sui camini o protetta da balconi, tettoie .

La sonda non deve essere verniciata (errore di misura) .

Sonde da canale e da tubazione

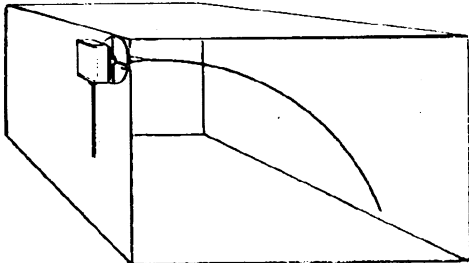
Montaggio delle sonde di temperatura

Come misura dell'aria in mandata:

- dopo il ventilatore di mandata oppure
- dopo la batteria da controllare, distanza almeno 0.5 m

Come misura della temperatura ambiente:

- prima del ventilatore di ripresa e in prossimità della
- ripresa dall'ambiente. Come misura della temperatura di saturazione: dopo il separatore di gocce.



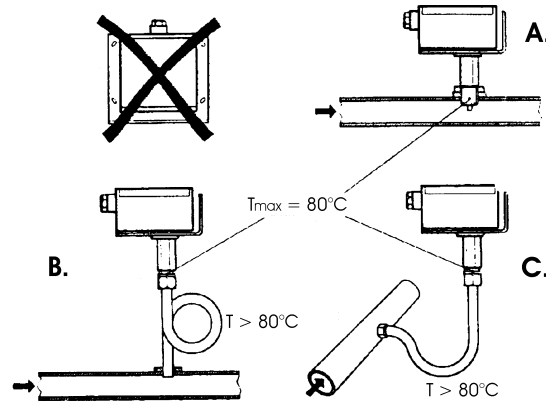
Montaggio delle sonde di pressione

A - montaggio su condotte di fluidi a temperatura di max. 80°C

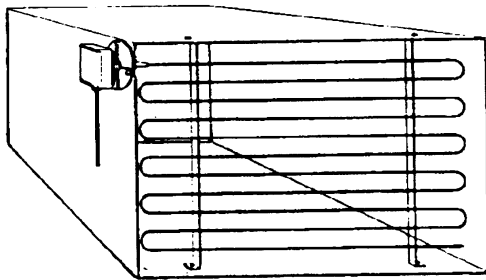
B - montaggio su condotte a temperatura superiore a 80°C e per i refrigeranti

C - montaggio su condotte a temperature elevate :

- aumentare la lunghezza del sifone
- disporre lateralmente la sonda per evitare che sia investita dall'aria calda proveniente dal tubo.



Curvare a mano (mai con utensili), come in figura, la sonda da 0.4 m.



Disporre su tutta la sezione del canale, distanza minima dalle pareti 50mm, raggio di curvatura 10mm per le sonde da 2 o 6 m

Montaggio delle sonde di pressione differenziali per acqua

Non ammesso il montaggio con la custodia rivolta verso il basso.

Con temperatura superiore a 80°C. sono necessari dei sifoni.

Per evitare di danneggiare la sonda è necessario rispettare le seguenti istruzioni: nel montaggio: che la differenza di pressione non sia superiore a quella ammessa dalla sonda in presenza di pressioni statiche elevate si inseriscano le valvole di intercettazione A-B-C.

Messa in servizio

avviamento escludere

1=aprire C 1=aprire C

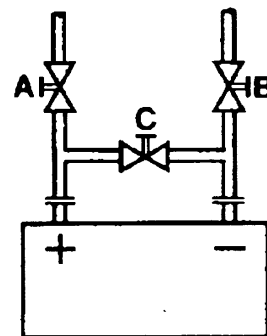
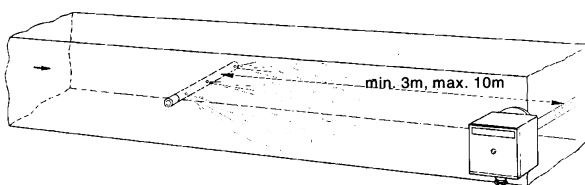
2=aprire A 2=chiudere B

3=aprire B 3=chiudere A

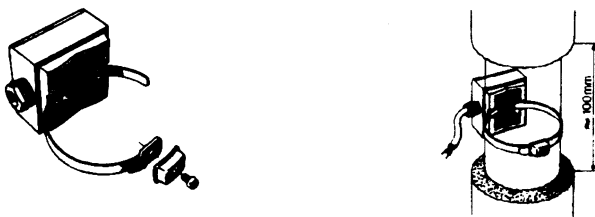
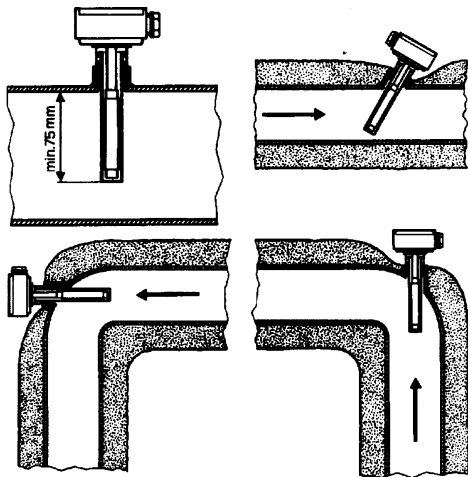
4= chiudere C

Montaggio delle sonde di umidità combinate

Come sonda di limite di max. umidità sulla mandata (umidificatori a vapore) .



Sonde ad immersione e a bracciale



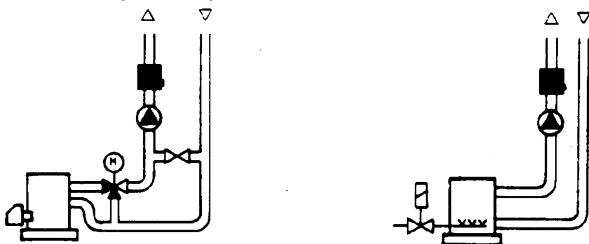
Ubicazione delle sonde (QAD22.../QAE21.../QAP21.../RCA...)

Con pompe sulla mandata

con valvole a 3 vie / con valvole a 4 vie

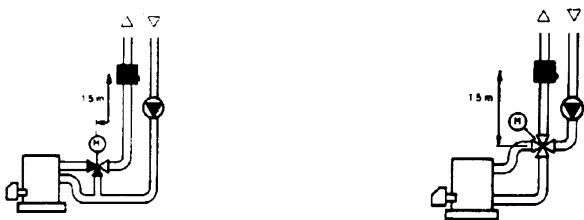


impianto a pannelli / comando bruciatore



Con pompe sul ritorno

con valvole a 3 vie / con valvole a 4 vie



Montaggio delle sonde ad immersione

Le sonde devono essere montate sul tratto di tubazione in cui la circolazione del fluido è sempre presente.

Il gambo rigido (elemento sensibile di misura) deve essere introdotto per almeno 75mm e in opposizione al senso di flusso.

Ubicazioni consigliate: in una curva oppure su un tratto di tubazione rettilinea ma inclinata di 45° in controcorrente rispetto al senso fluido.

Proteggerle da possibili infiltrazioni di acqua (saracinesche che gocciolano, condensa dalle tubazioni, etc.) .

Montaggio delle sonde a bracciale QAD2..

Garantire la presenza della circolazione del fluido.

Eliminare l'isolamento e la tinteggiatura (anche l'antiruggine) di un tratto di tubazione di almeno 100mm.

Le sonde sono complete di nastro per tubi del diametro di 100 mm massimo .

Sonde a bracciale o a immersione?

Sonde a bracciale QAD2...

Vantaggi

- Costante di tempo di 10 s
- Montaggio ad impianto funzionante (nessun lavoro idraulico)
- La posizione di montaggio può essere facilmente modificata se non risultasse corretta .

Limiti

- Adatta per tubi da 100 mm max.
- Può essere influenzata dalle correnti d'aria, etc.

Sonde ad immersione QAE2...

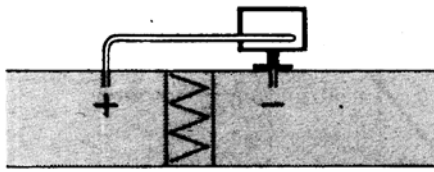
Vantaggi:

- Misura della temperatura "media" del fluido
- Nessuna influenza esterna sulla misura come: correnti d'aria, tubazioni vicine, etc.

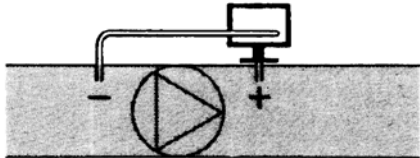
Limiti

- Costante di tempo con guaina: 20 s
- Difficoltà di modificare la posizione di montaggio se non risultasse corretta.

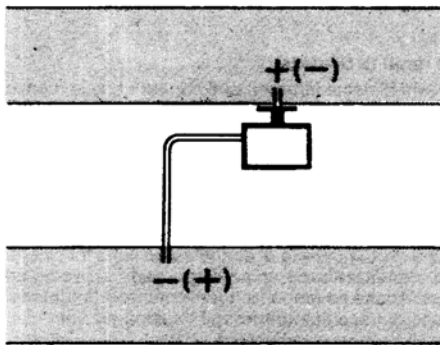
Montaggio delle sonde di pressione differenziale per aria



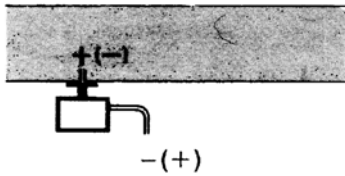
A - Controllo di un filtro (intasamento)



B - Controllo di un ventilatore (monte/valle)



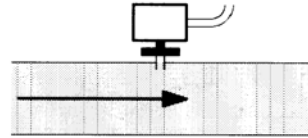
C - Misura della differenza di pressione tra due canali



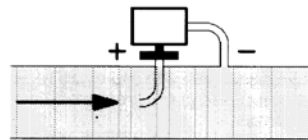
D - Misura della differenza di pressione tra due ambienti oppure fra l'interno del canale e l'esterno

Principi fondamentali

Misura della pressione statica (pressione esercitata dall'aria sulle pareti del condotto)



Misura della pressione dinamica

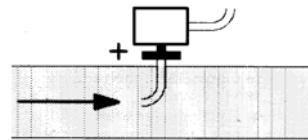


$$P_d = \frac{\gamma \cdot v^2}{2g}$$

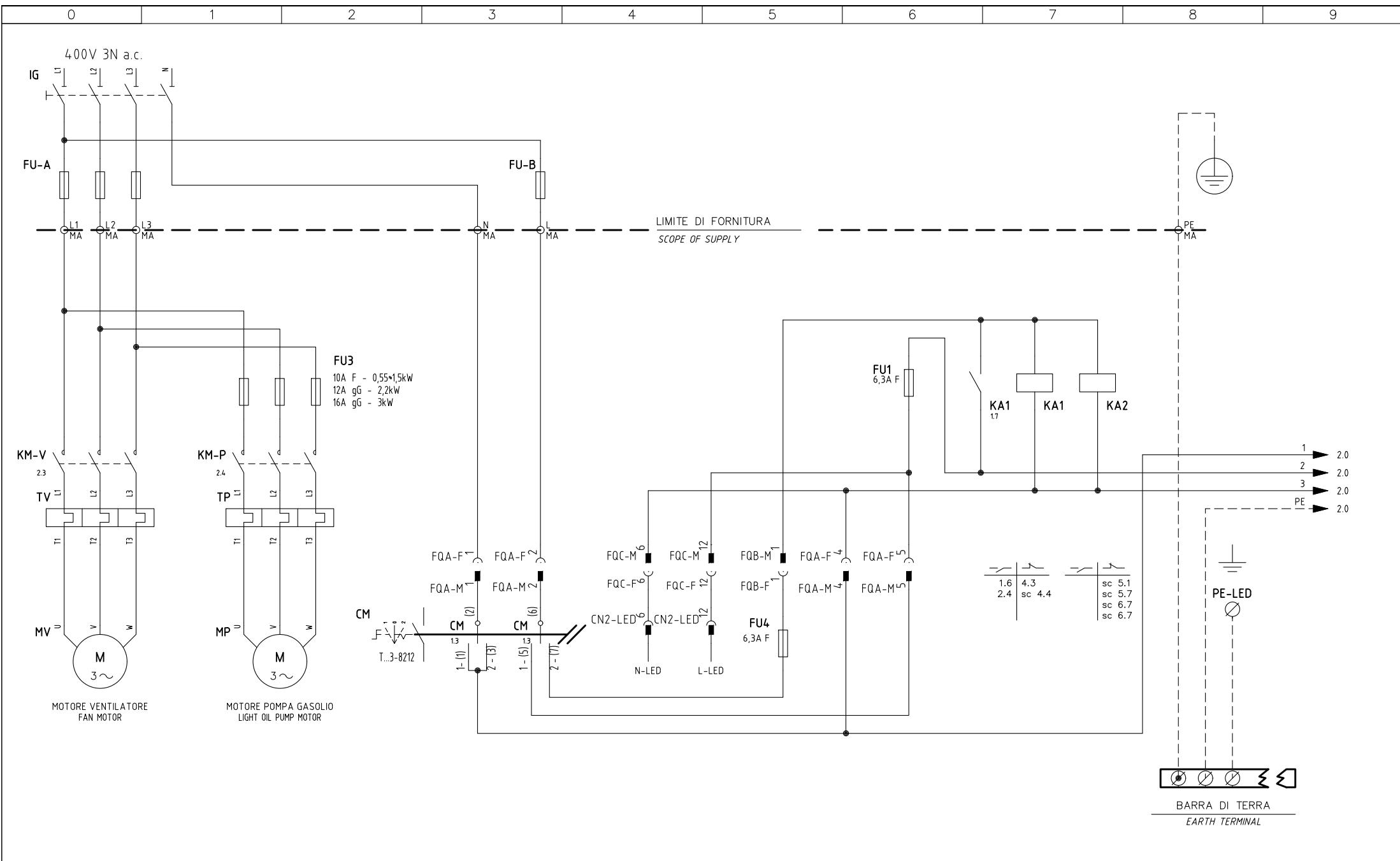
Legenda

- γ Kg/m³, peso specifico dell'aria
- v m/s, velocità dell'aria
- g 9.81 m/s², accelerazione di gravità
- P_d mm C.A., pressione dinamica

Misura della pressione totale



Le informazioni contenute in questo documento sono puramente indicative e non impegnative. L'azienda si riserva la facoltà di apportare modifiche senza obbligo di preavviso.



01	"RWF40" MODULATOR ADDED	30/03/16	U. PINTON
REV.	MODIFICA	DATA	FIRME

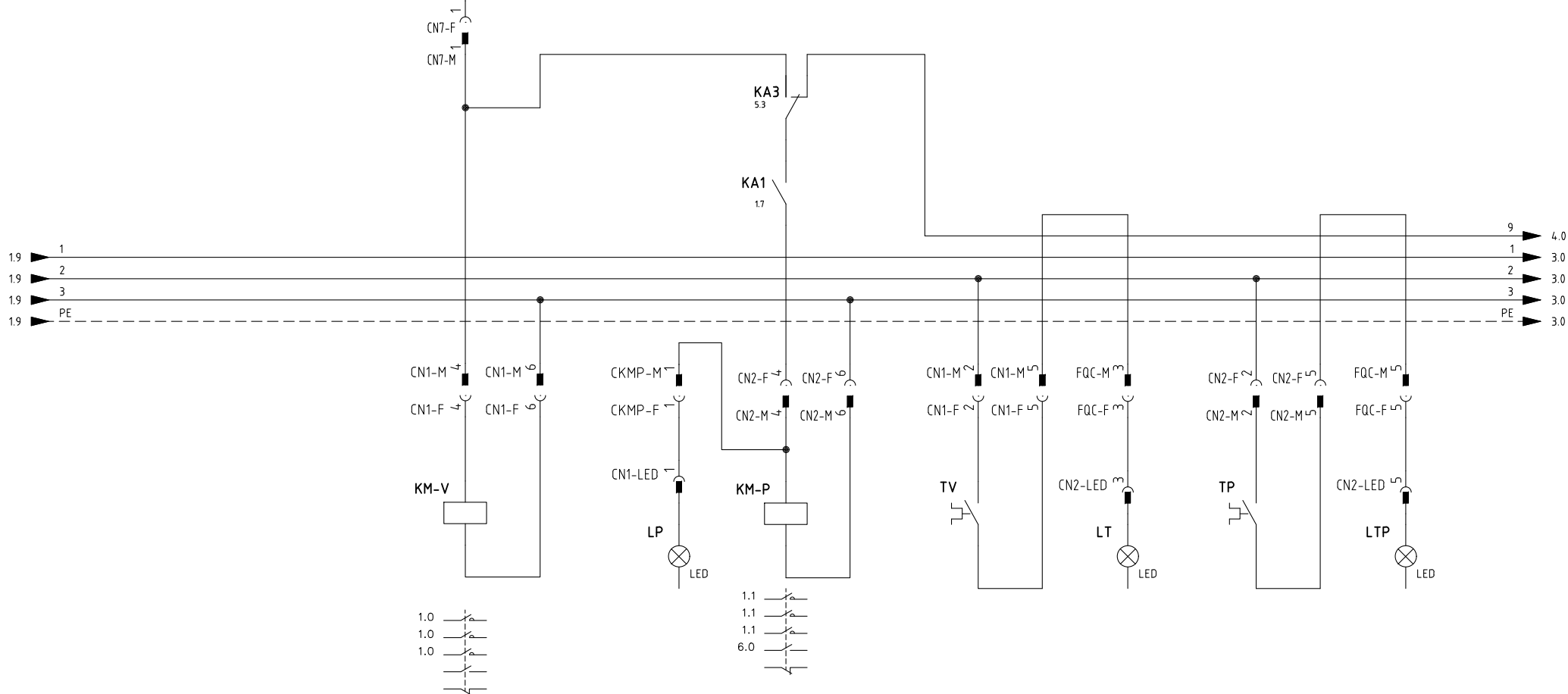
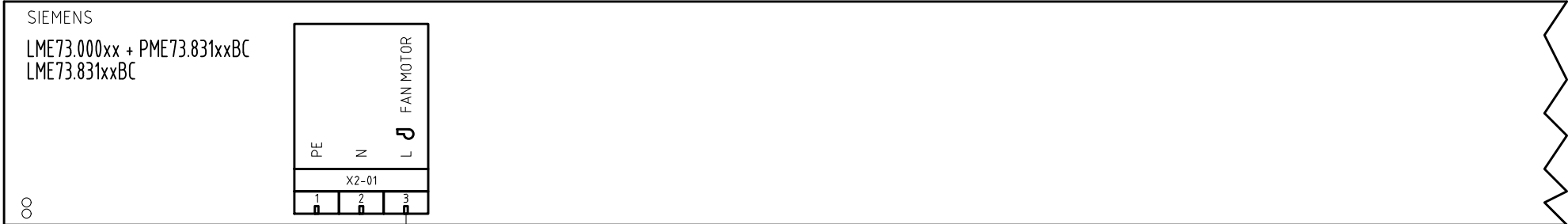


Impianto
 TIPI/TYPES HR91A÷520A/HTP91A÷520A/G../H../K..
 MODELLO/MODEL xG-.PR(MD).x.xx.A.1.xx

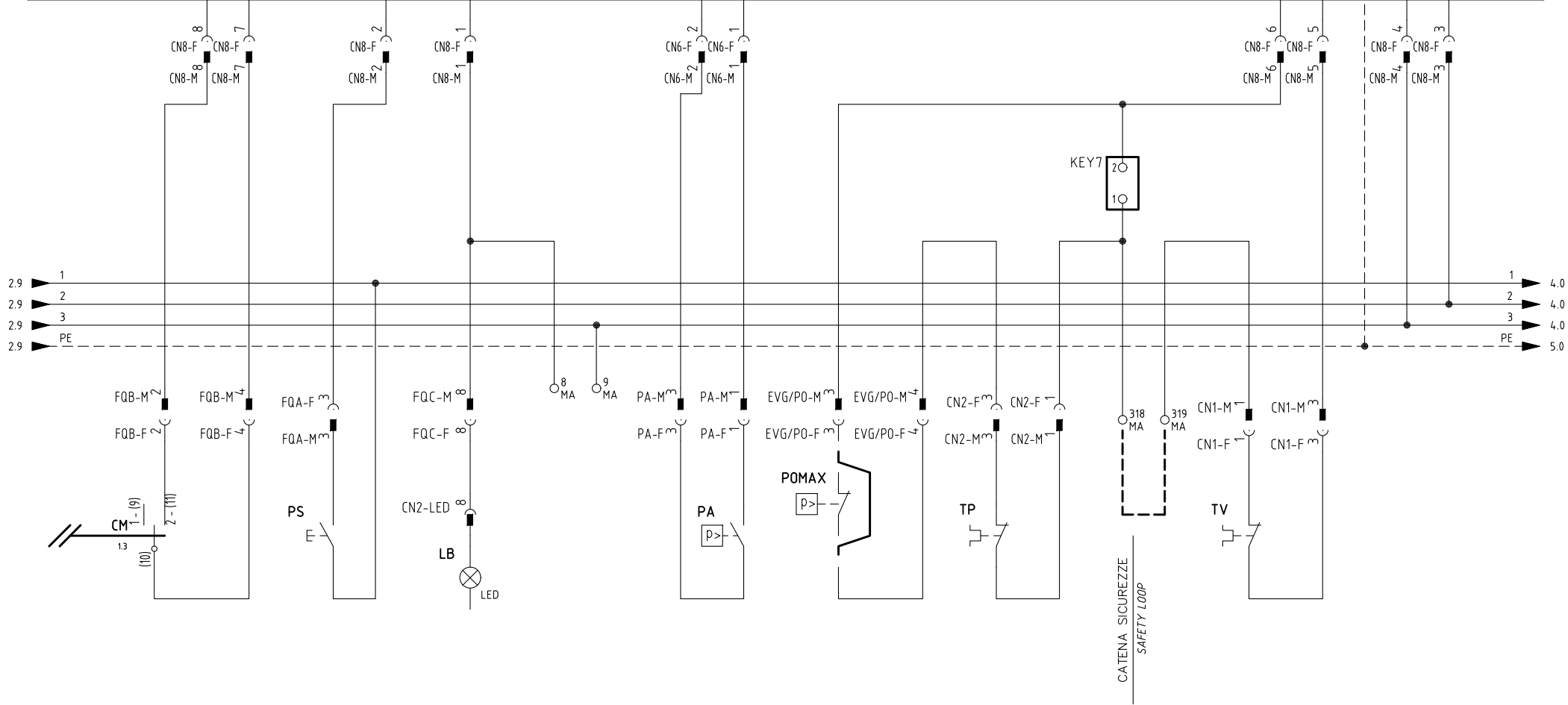
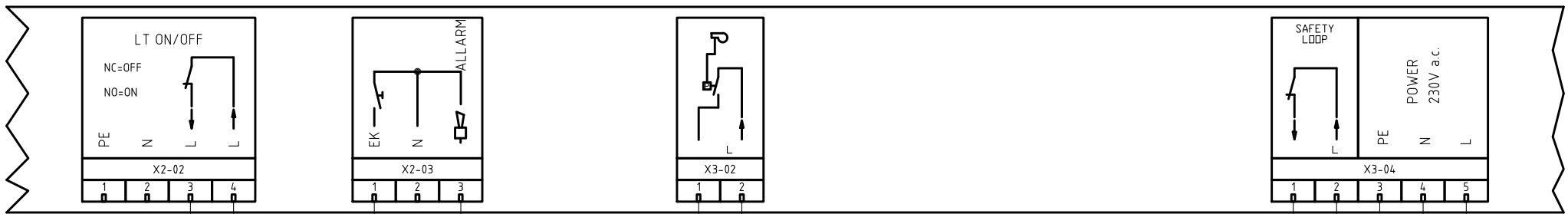
Descrizione
 LME73.xx + COD. 6100574 + COD. 6100566

Ordine	
Commessa	Data Controllato 30/03/2016
Esecutore U. PINTON	Controllato G. SCATTOLIN

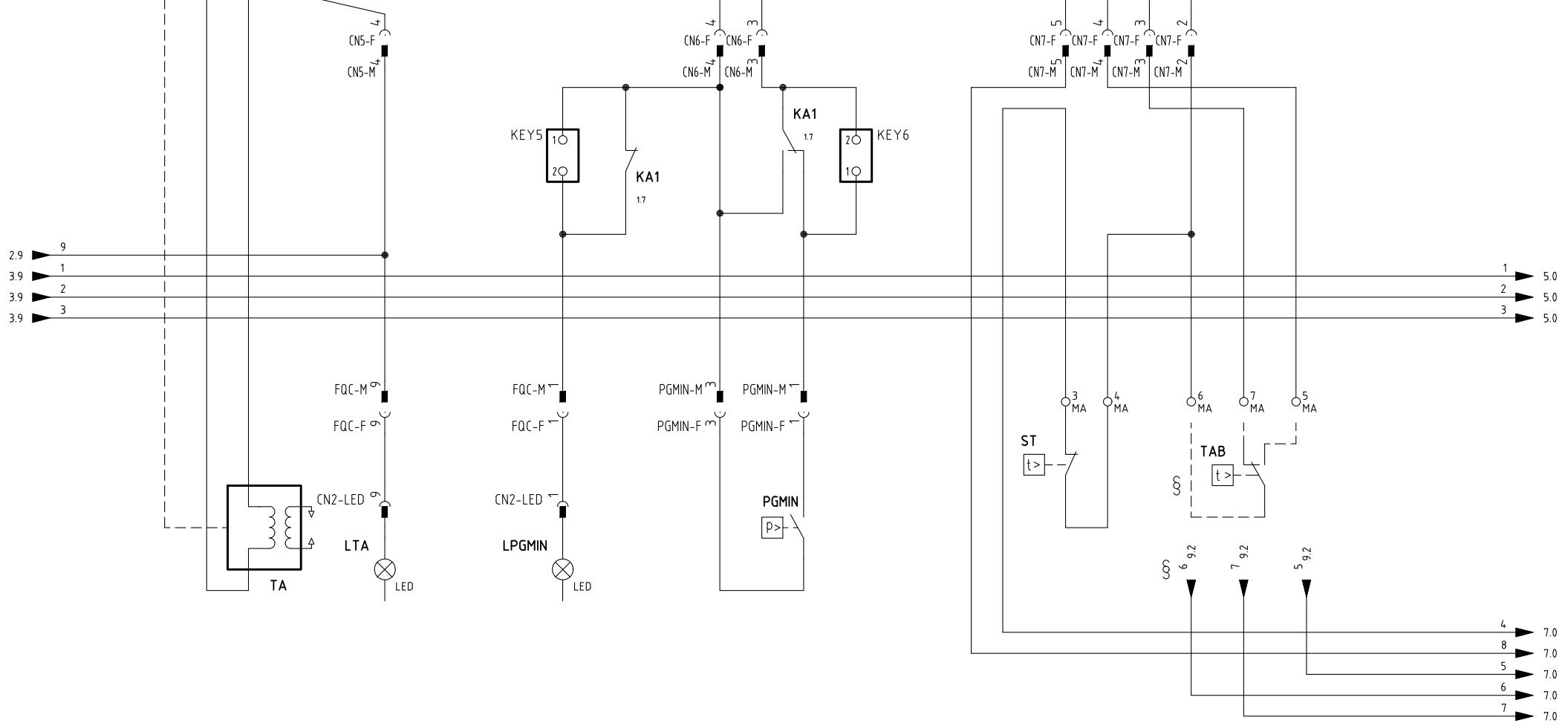
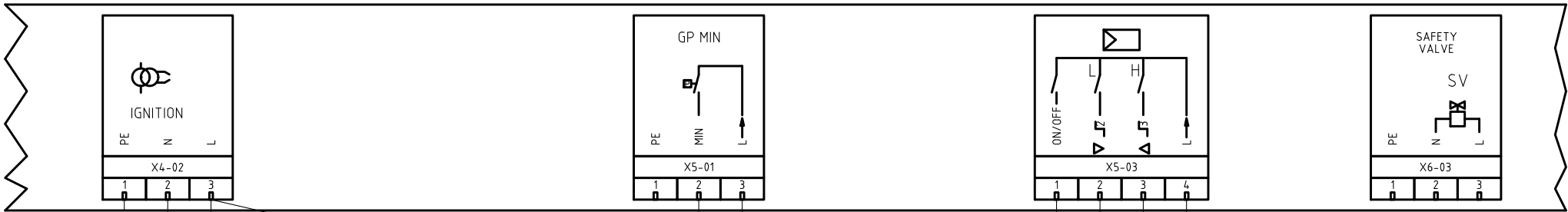
Data	22/05/2015	PREC.	FOGLIO
Revisione	01	/	1
Dis. N.	09 - 0432	SEGUE	TOTALE
		2	15



Data	22/05/2015	PREC.	FOGLIO
Revisione	01	1	2
Dis. N.	09 - 0432	SEGUE	TOTALE
		3	15



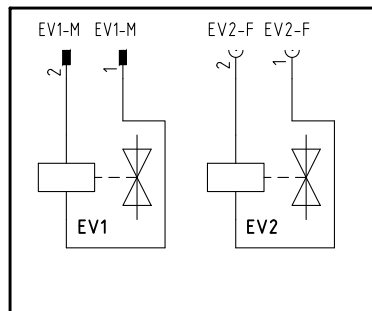
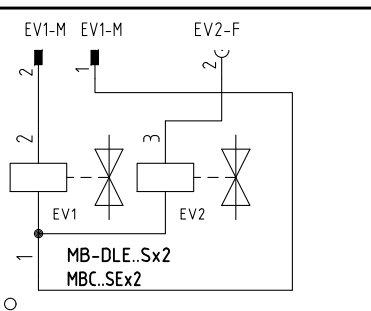
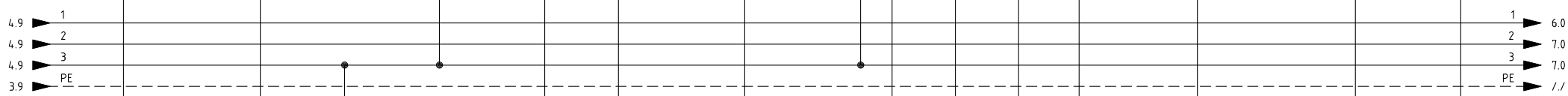
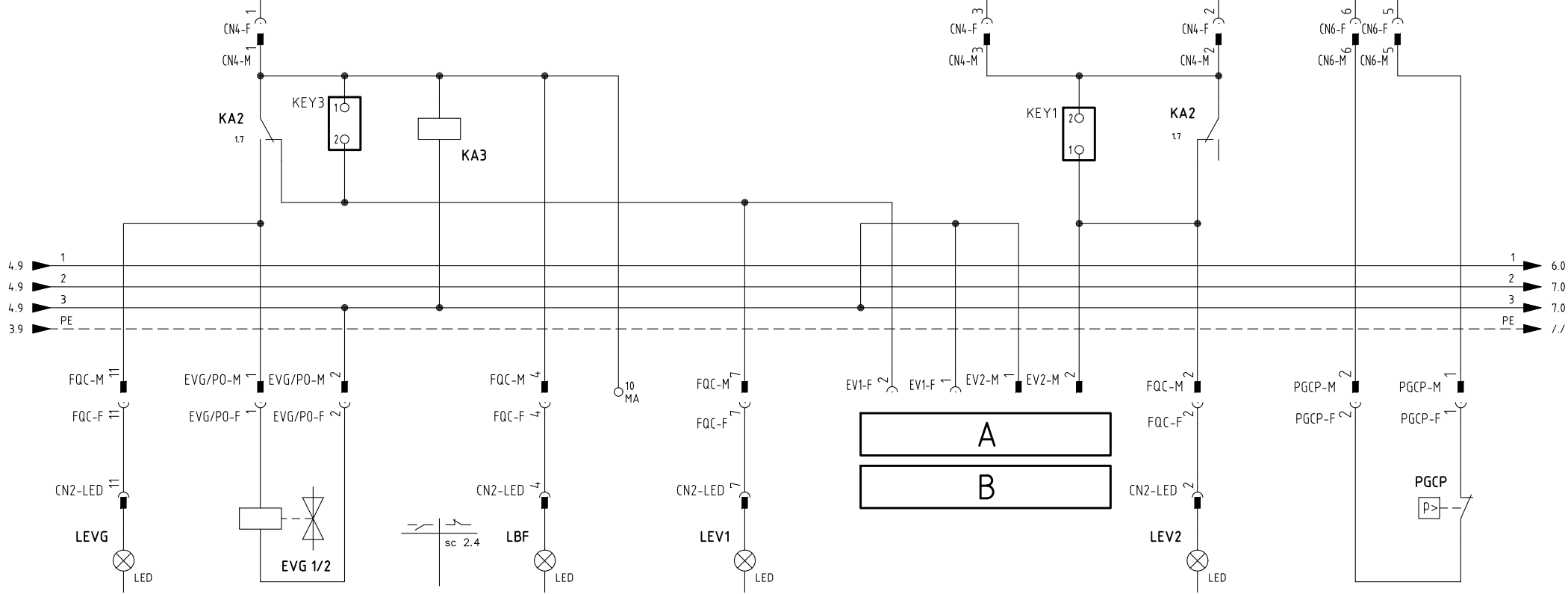
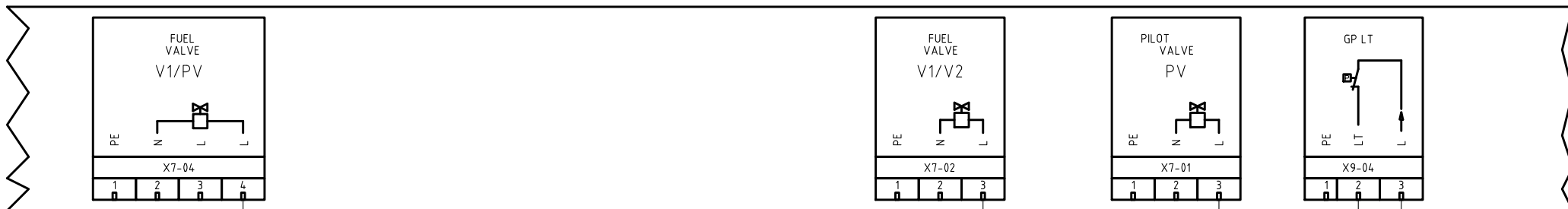
Data	22/05/2015	PREC.	FOGLIO
Revisione	01	2	3
Dis. N.	09 - 0432	SEGUE	TOTALE
		4	15



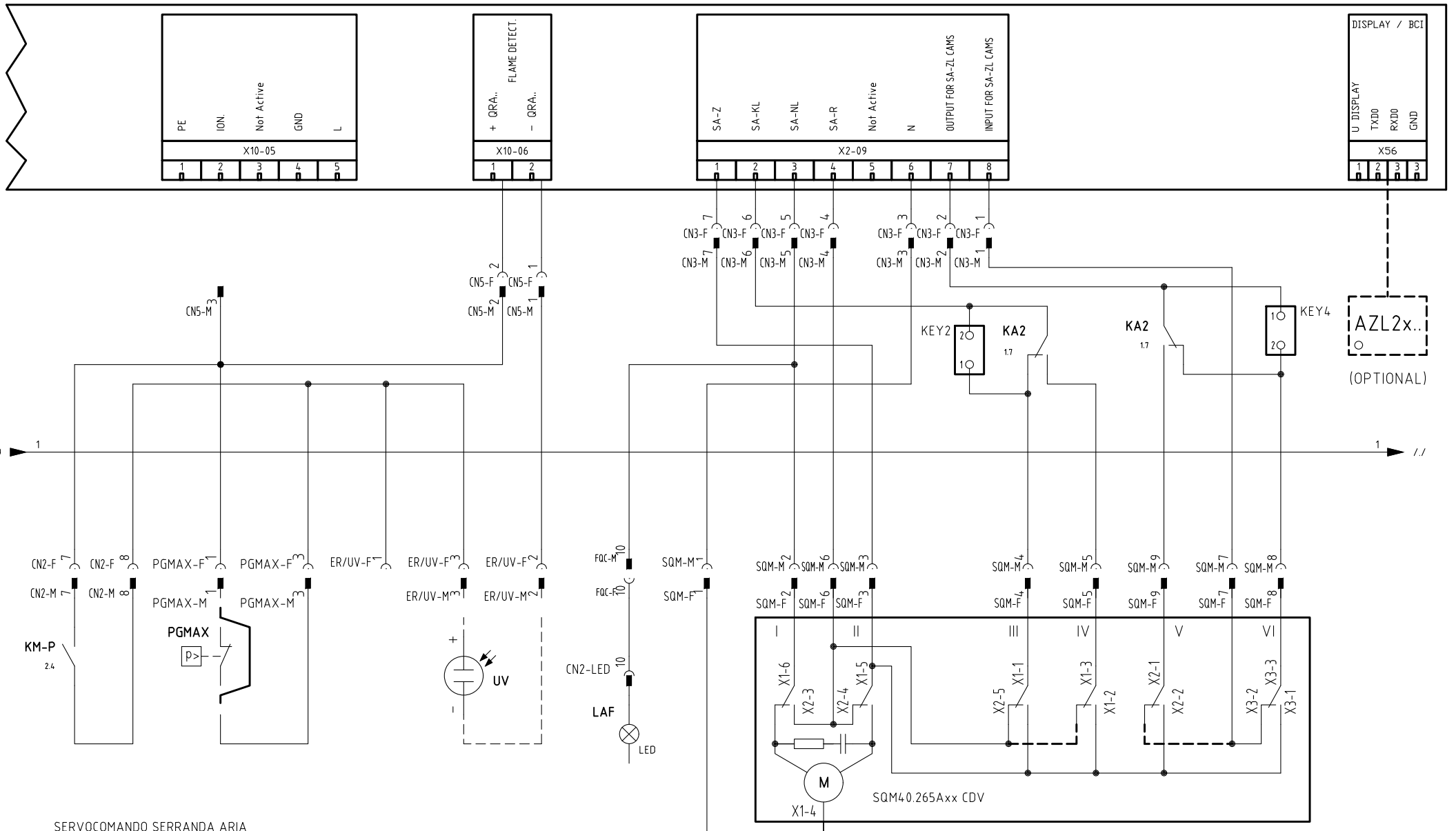
§

VERSIONE (PR) / VERSIONE (MD) CON RWF.. / 600V / KM3
 (PR) VERSION / (MD) VERSION WITH RWF.. / 600V / KM3

Data	22/05/2015	PREC.	FOGLIO
Revisione	01	3	4
Dis. N.	09 - 0432	SEGUE	TOTALE
		5	15



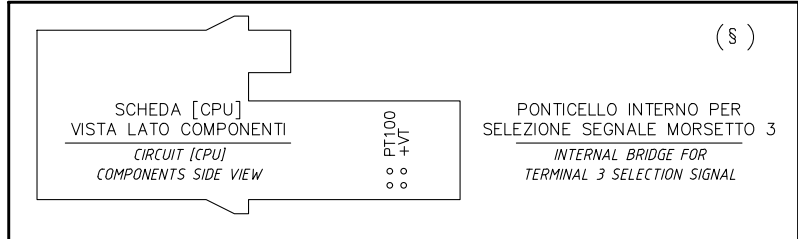
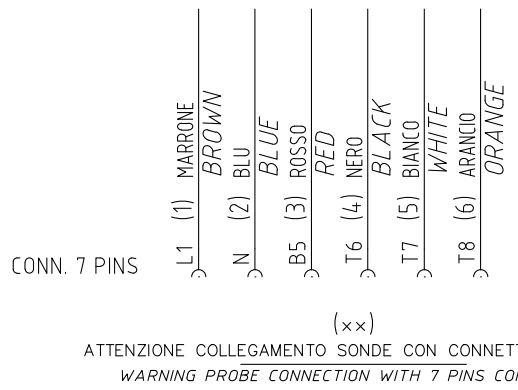
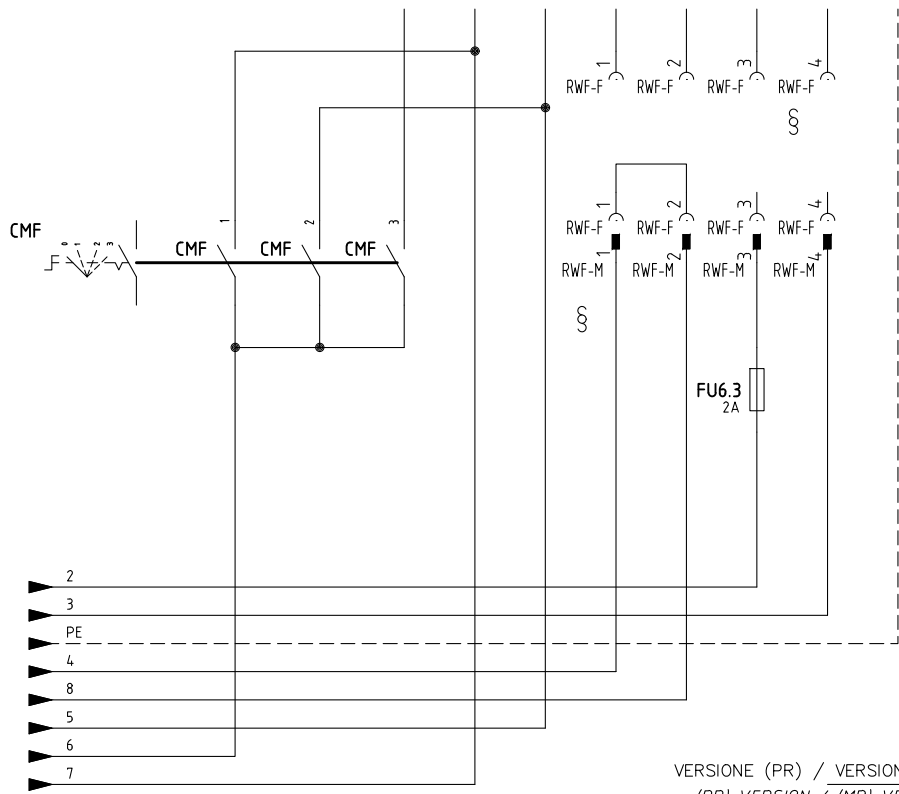
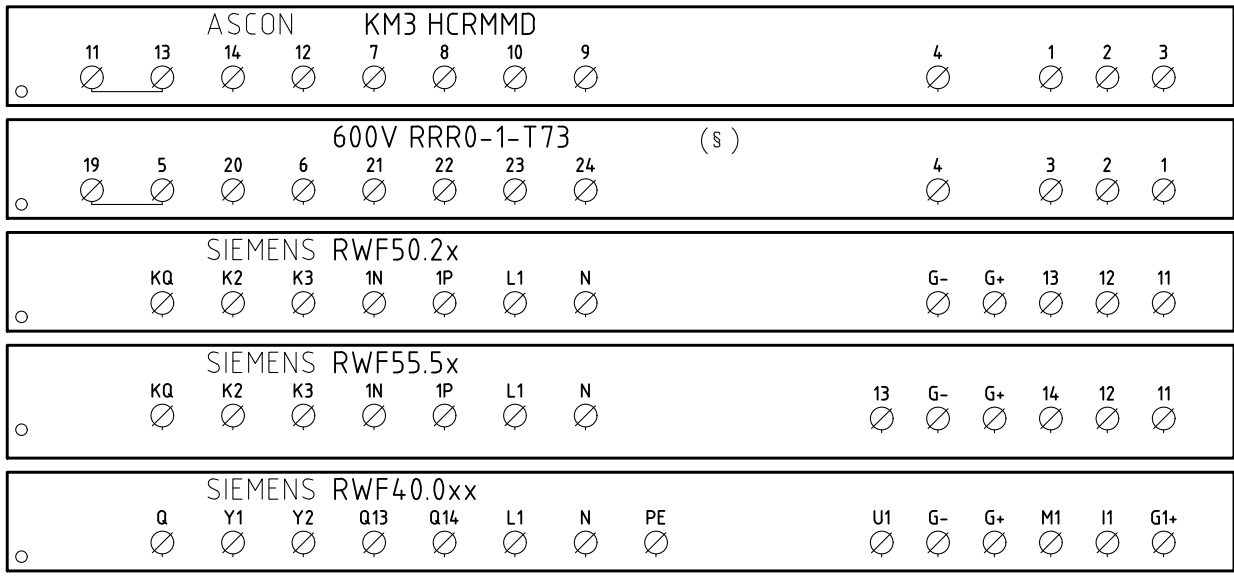
Data	22/05/2015	PREC.	FOGLIO
Revisione	01	4	5
Dis. N.	09 - 0432	SEGUE	TOTALE
		6	15



SERVOCOMANDO SERRANDA ARIA
 AIR DAMPER ACTUATOR
 SQM4.0.265Axx CDV

- I ALTA FIAMMA
HIGH FLAME
- II SOSTA
STAND-BY
- III BASSA FIAMMA GAS
GAS LOW FLAME
- IV BASSA FIAMMA GASOLIO
LIGHT OIL LOW FLAME
- V ACCENSIONE GASOLIO
LIGHT OIL IGNITION
- VI ACCENSIONE GAS
GAS IGNITION

Data	22/05/2015	PREC.	FOGLIO
Revisione	01	5	6
Dis. N.	09 - 0432	SEQUE	TOTALE
		7	15



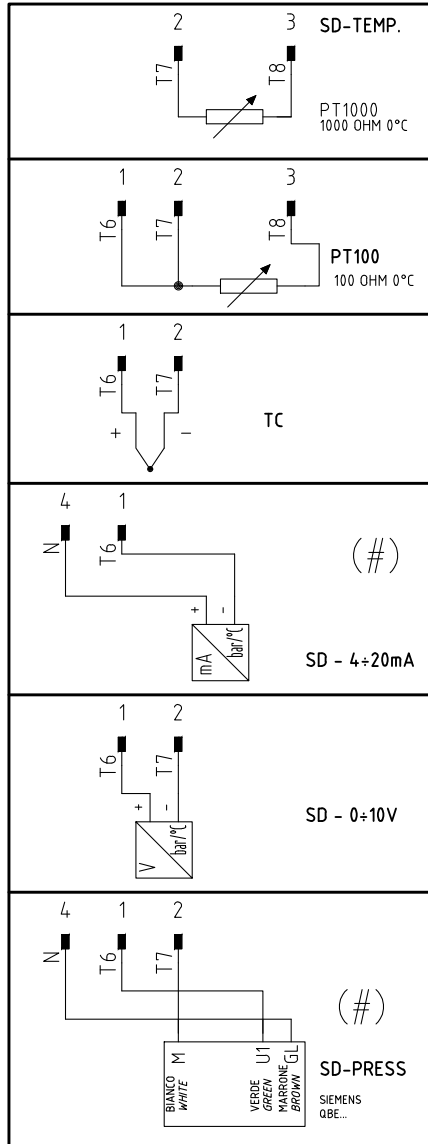
§
 VERSIONE (PR) / VERSIONE (MD) CON RWF.. / 600V / KM3
 (PR) VERSION / (MD) VERSION WITH RWF.. / 600V / KM3

Data	22/05/2015	PREC.	FOGLIO
Revisione	01	6	7
Dis. N.	09 - 0432	SEGUE	TOTALE
		8	15

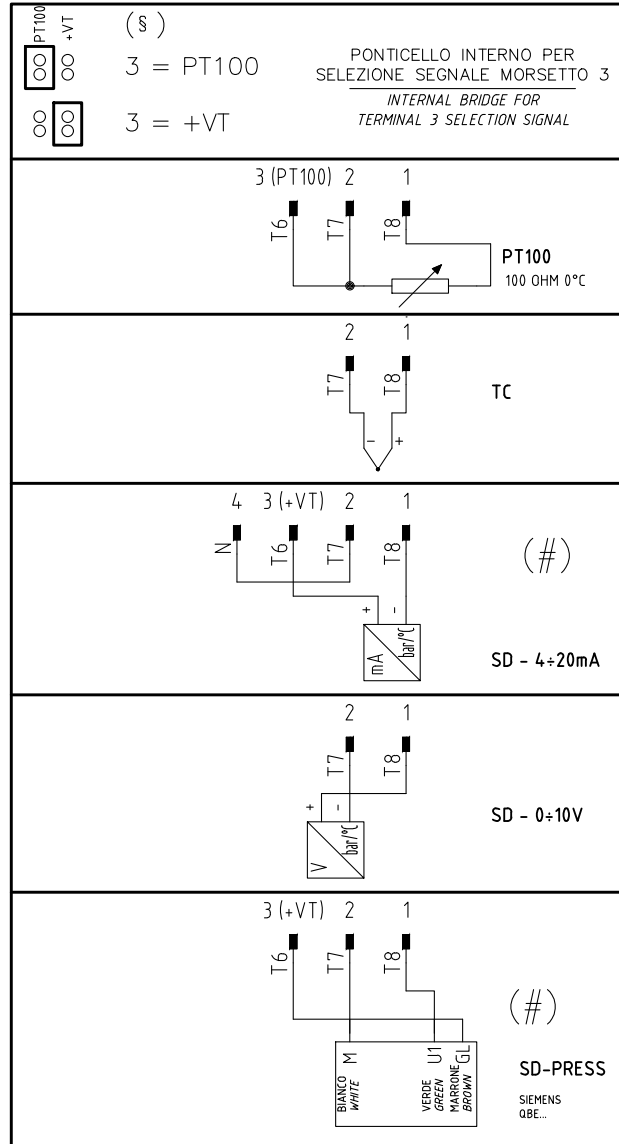
(xx)

ATTENZIONE COLLEGAMENTO SONDE CON CONNETTORE 7 POLI
WARNING PROBE CONNECTION WITH 7 PINS CONNECTOR

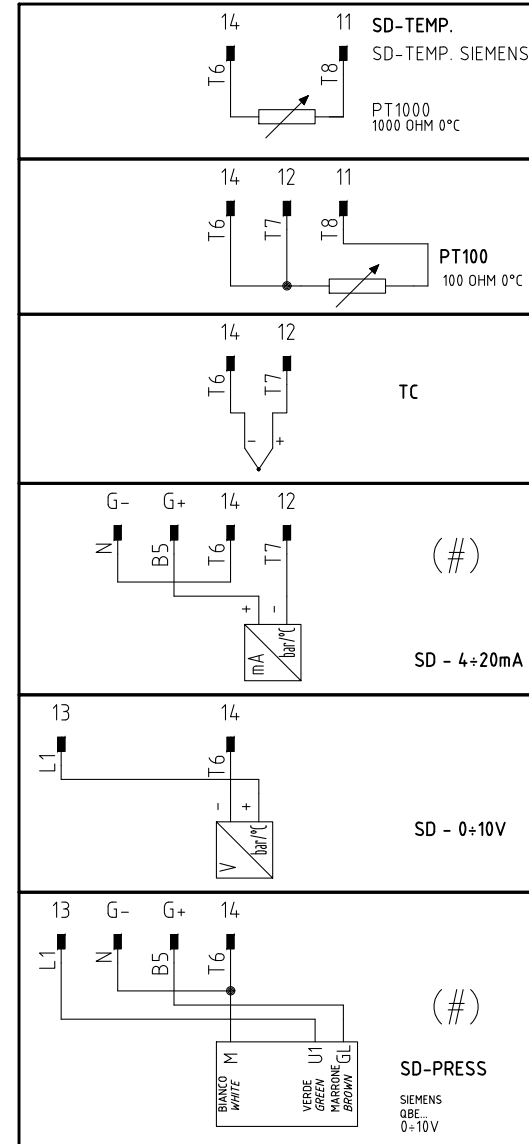
KM3 HCRMMD



600V RRR0-1-T73



RWF55.5x



(#)

COLLEGAMENTO SOLO PER
TRASDUTTORI PASSIVI

TRASDUCER PASSIVE
CONNECTION ONLY

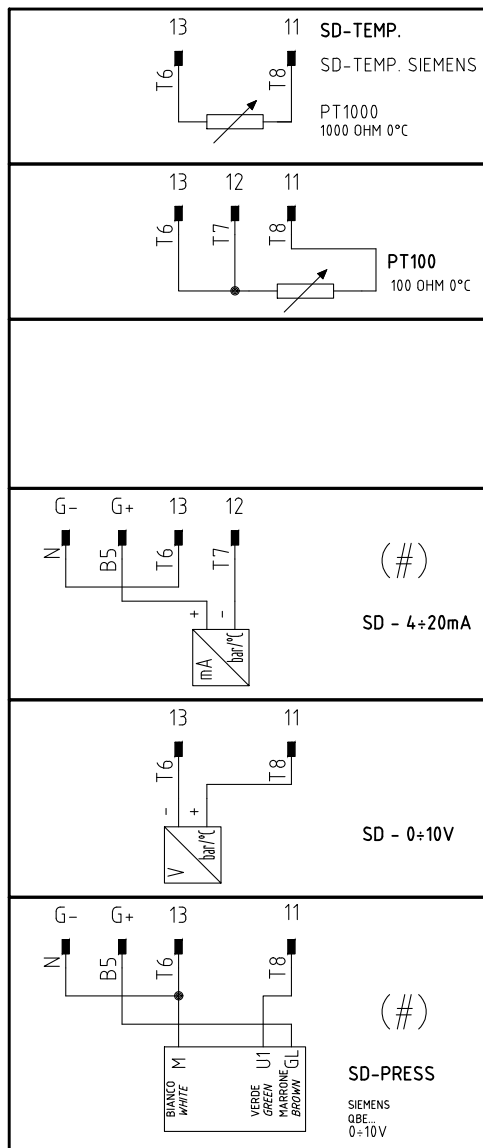
Data	22/05/2015	PREC.	FOGLIO
Revisione	01	7	8
Dis. N.	09 - 0432	SEGUE	TOTALE
		9	15

(xx)

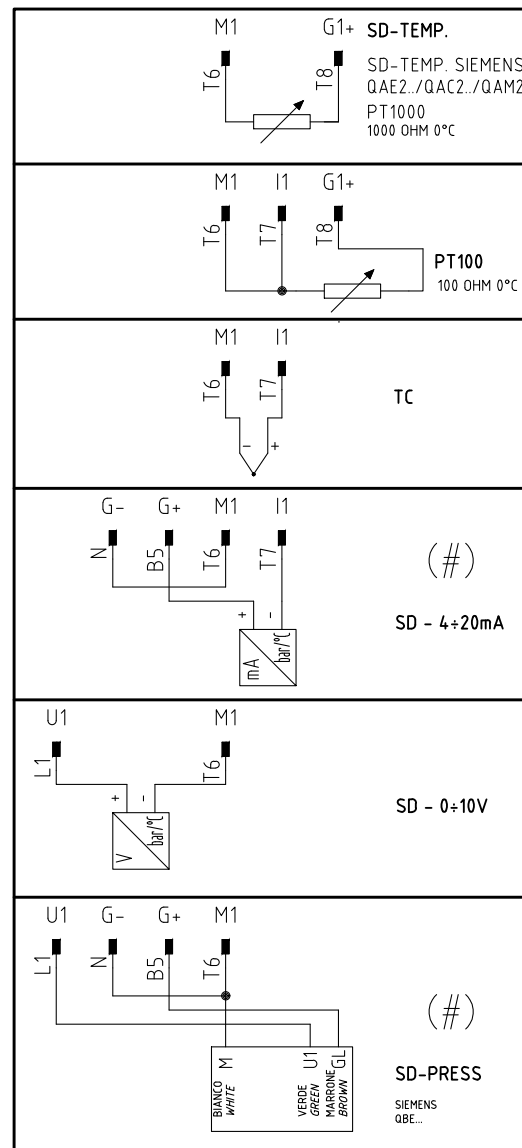
ATTENZIONE COLLEGAMENTO SONDE CON CONNETTORE 7 POLI

WARNING PROBE CONNECTION WITH 7 PINS CONNECTOR

RWF50.2x



RWF40.0xx

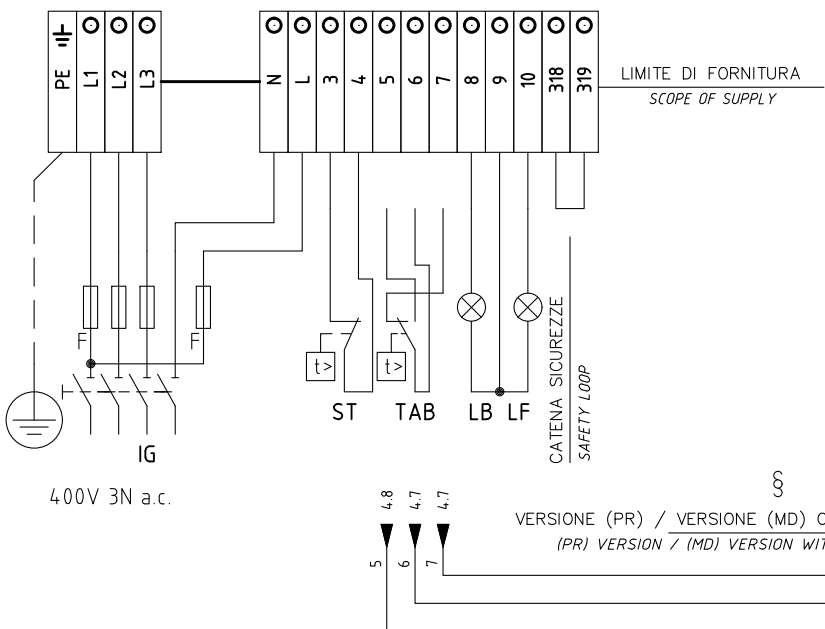


(#)

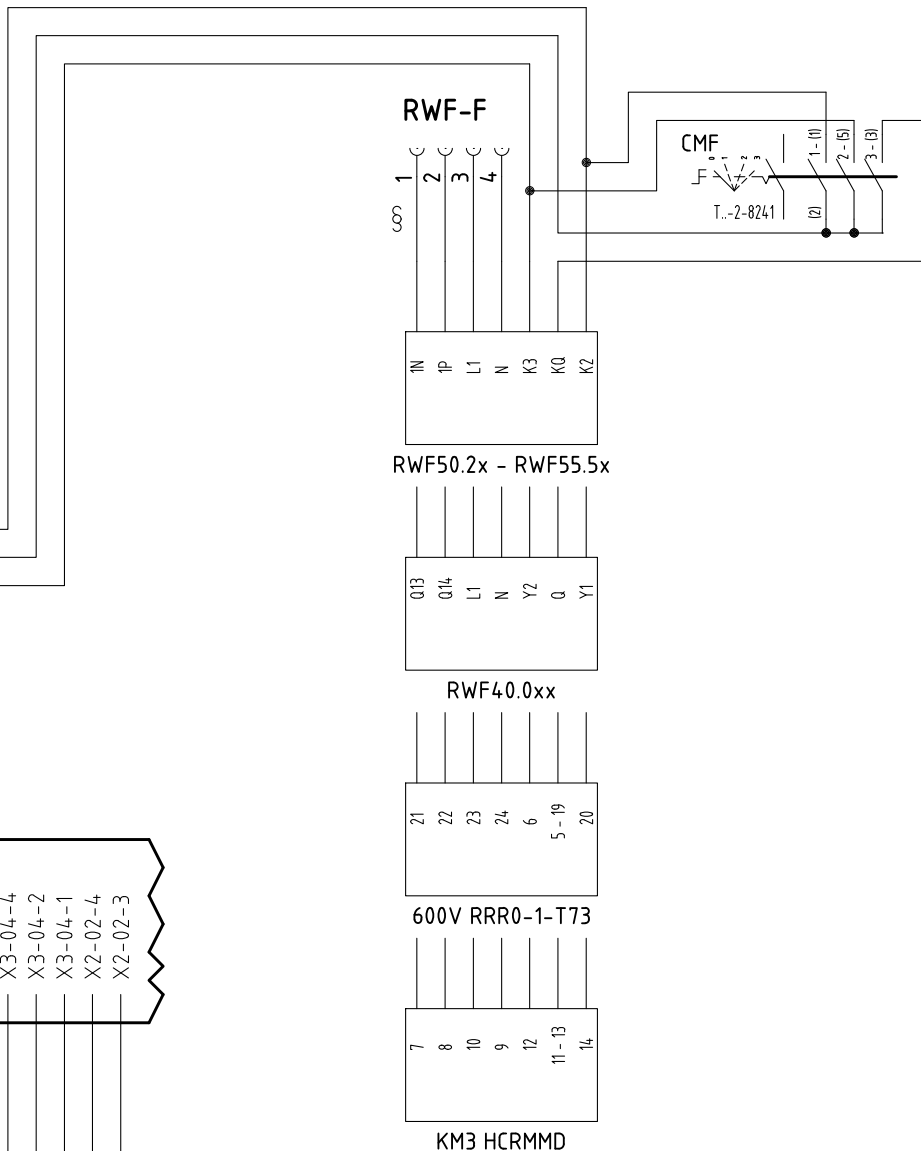
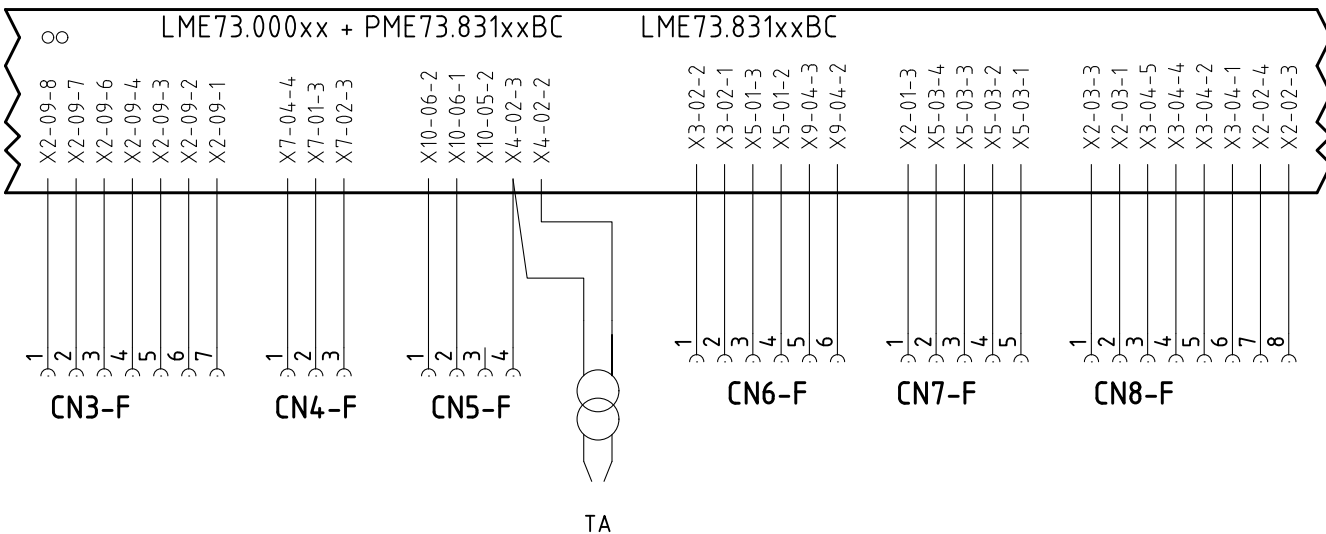
COLLEGAMENTO SOLO PER
TRASDUTTORI PASSIVITRASDUCER PASSIVE
CONNECTION ONLY

Data	22/05/2015	PREC.	FOGLIO
Revisione	01	8	9
Dis. N.	09 - 0432	SEGUE	TOTALE
		10	15

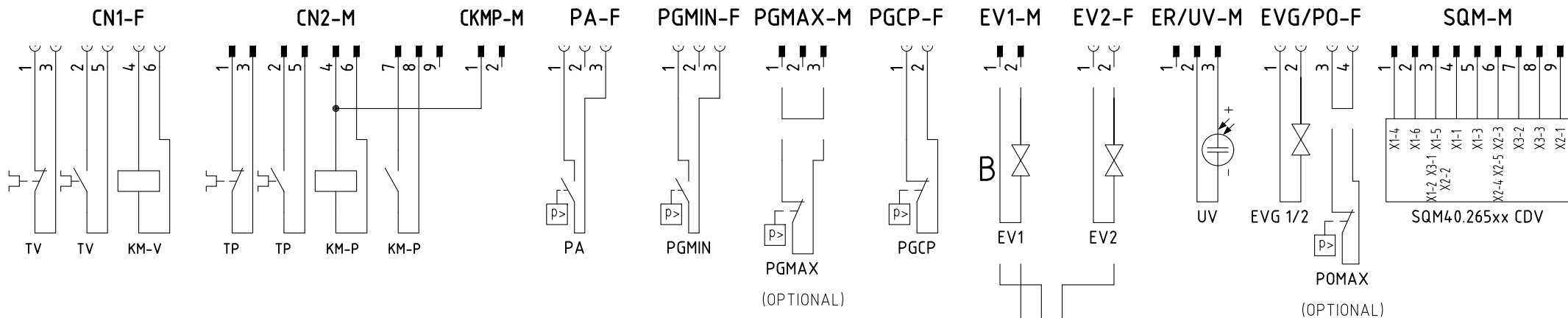
QUADRO QG - MORSETTIERA MA
MORSETTIERA ALIMENTAZIONE BRUCIATORE
BURNER SUPPLY TERMINAL BOARD



VERSIONE (PR) / VERSIONE (MD) CON RWF.. / 600V / KM3
 (PR) VERSION / (MD) VERSION WITH RWF.. / 600V / KM3

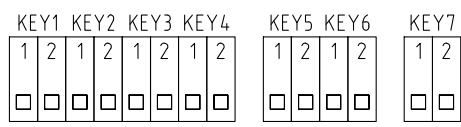
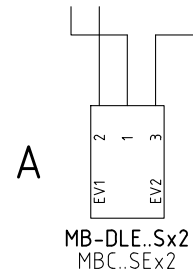


Data	22/05/2015	PREC.	FOGLIO
Revisione	01	9	10
Dis. N.	09 - 0432	SEGUE	TOTALE
		11	15

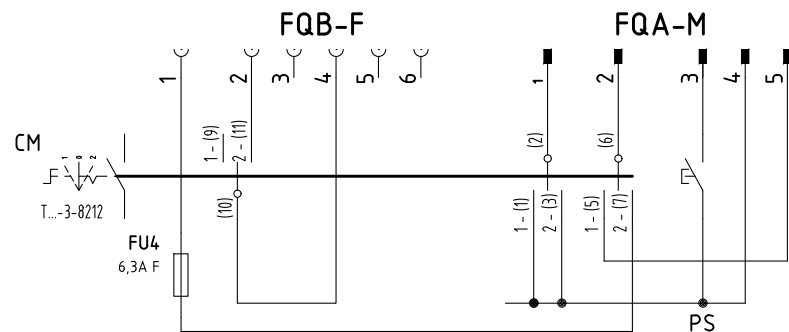
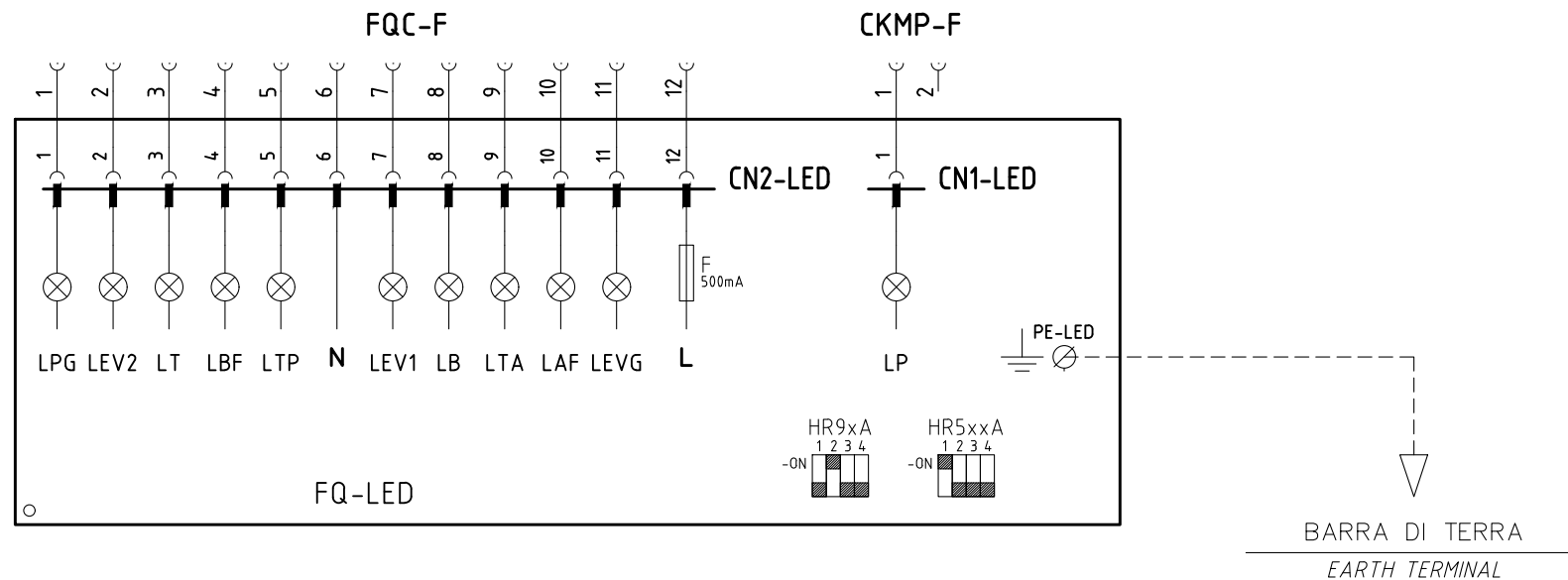


SERVOCOMANDO SERRANDA ARIA
 AIR DAMPER ACTUATOR
 SQM40.265Axx CDV

- I ALTA FIAMMA
HIGH FLAME
- II SOSTA
STAND-BY
- III BASSA FIAMMA GAS
GAS LOW FLAME
- IV BASSA FIAMMA GASOLIO
LIGHT OIL LOW FLAME
- V ACCENSIONE GASOLIO
LIGHT OIL IGNITION
- VI ACCENSIONE GAS
GAS IGNITION



Data	22/05/2015	PREC.	FOGLIO
Revisione	01	10	11
Dis. N.	09 - 0432	SEGUE	TOTALE
		12	15



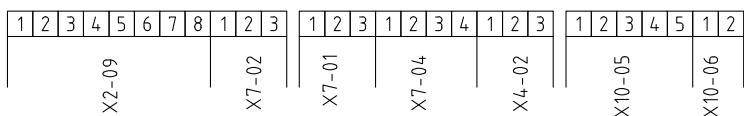
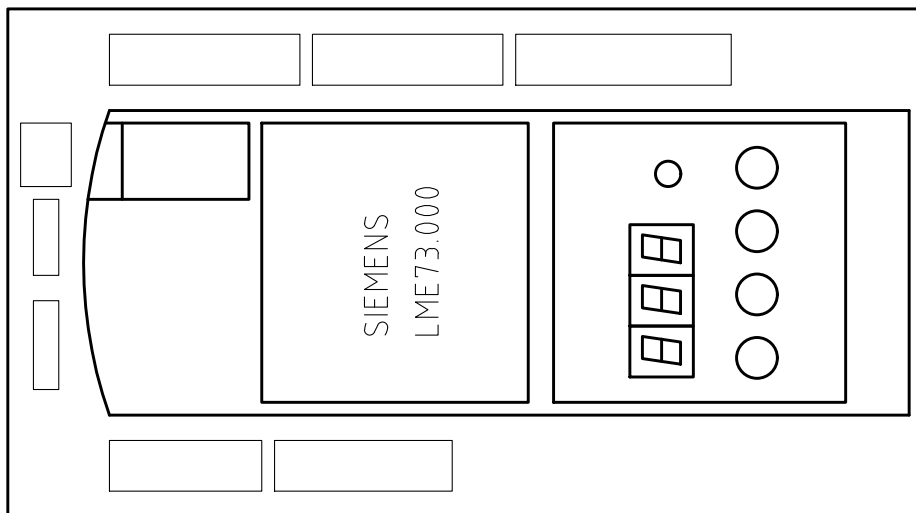
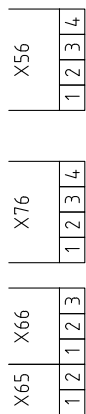
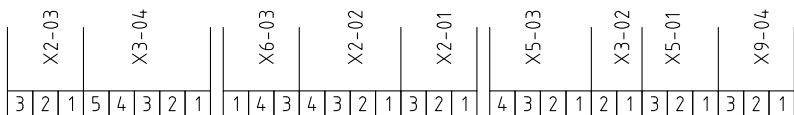
Data	22/05/2015	PREC.	FOGLIO
Revisione	01	11	12
Dis. N.	09 - 0432	SEGUE	TOTALE
		13	15

Sigla/Item	Foglio/Sheet	Funzione	Function
600V RRR0-1-T73	7	REGOLATORE MODULANTE (ALTERNATIVO)	BURNER MODULATOR (ALTERNATIVE)
AZL2x..	6	INTERFACCIA UTENTE	USER INTERFACE
CM	1	COMMUTATORE FUNZIONAMENTO 1)GAS 0)SPENTO 2)GASOLIO	MANUAL OPERATION SWITCH 1)GAS 0)OFF 2)LIGHT OIL
CMF	7	COMMUT. MANUALE FUNZ. 0)FERMO 1)ALTA FIAMMA 2)BASSA FIAMMA 3)AUTOMATICO	MANUAL SWITCH 0)OFF 1)HIGH FLAME 2)LOW FLAME 3)AUTOMATIC
EV1	5	ELETTROVALVOLA GAS LATO RETE	UPSTREAM GAS SOLENOID VALVE
EV2	5	ELETTROVALVOLA GAS LATO BRUCIATORE	DOWNSTREAM GAS SOLENOID VALVE
EVG 1/2	5	ELETTROVALVOLE GASOLIO	LIGHT OIL ELECTRO VALVES
FQ-LED	12	PANNELLO FRONTALE (LED)	FRONT PANEL (LED)
FU1	1	FUSIBILE AUSILIARIO	AUXILIARY FUSE
FU3	1	FUSIBILI LINEA POMPA	PUMP LINE FUSES
FU4	1	FUSIBILE AUSILIARIO	AUXILIARY FUSE
FU6.3	7	FUSIBILE	FUSE
FU-A	1	FUSIBILI DI LINEA	LINE FUSES
FU-B	1	FUSIBILE DI LINEA	LINE FUSE
IG	1	INTERRUTTORE GENERALE	MAINS SWITCH
KA1	1	RELE" AUSILIARIO	AUXILIARY RELAY
KA2	1	RELE" AUSILIARIO	AUXILIARY RELAY
KA3	5	RELE" AUSILIARIO	AUXILIARY RELAY
KM3 HCRMMD	7	REGOLATORE MODULANTE (ALTERNATIVO)	BURNER MODULATOR (ALTERNATIVE)
KM-P	2	CONTATTORE MOTORE POMPA GASOLIO	LIGHT OIL PUMP MOTOR CONTACTOR
KM-V	2	CONTATTORE MOTORE VENTILATORE	FAN MOTOR CONTACTOR
LAF	6	LAMPADA SEGNALAZIONE ALTA FIAMMA BRUCIATORE	BURNER IN HIGH FLAME INDICATOR LIGHT
LB	3	LAMPADA SEGNALAZIONE BLOCCO BRUCIATORE	INDICATOR LIGHT FOR BURNER LOCK-OUT
LBF	5	LAMPADA SEGNALAZIONE BASSA FIAMMA BRUCIATORE	BURNER IN LOW FLAME INDICATOR LIGHT
LEV1	5	LAMPADA SEGNALAZIONE APERTURA [EV1]	INDICATOR LIGHT FOR OPENING OF ELECTRO-VALVE [EV1]
LEV2	5	LAMPADA SEGNALAZIONE APERTURA [EV2]	INDICATOR LIGHT FOR OPENING OF ELECTRO-VALVE [EV2]
LEVG	5	LAMPADA SEGNALAZIONE APERTURA [EVG]	INDICATOR LIGHT FOR OPENING OF ELECTRO-VALVE [EVG]
LME73.000xx + PME73.831xxBC	2	APPARECCHIATURA DI COMANDO	CONTROL SCHEME
LME73.831xxBC	2	APPARECCHIATURA DI COMANDO	CONTROL SCHEME
LP	2	LAMPADA SEGNALAZIONE FUNZIONAMENTO POMPA	INDICATOR LIGHT FOR PUMP OPERATION
LPGMIN	4	LAMPADA SEGNALAZIONE PRESENZA GAS IN RETE	INDICATOR LIGHT FOR PRESENCE OF GAS IN THE NETWORK
LT	2	LAMPADA SEGNALAZIONE BLOCCO TERMICO MOTORE VENTILATORE	INDICATOR LIGHT FOR FAN MOTOR OVERLOAD THERMAL CUTOUT

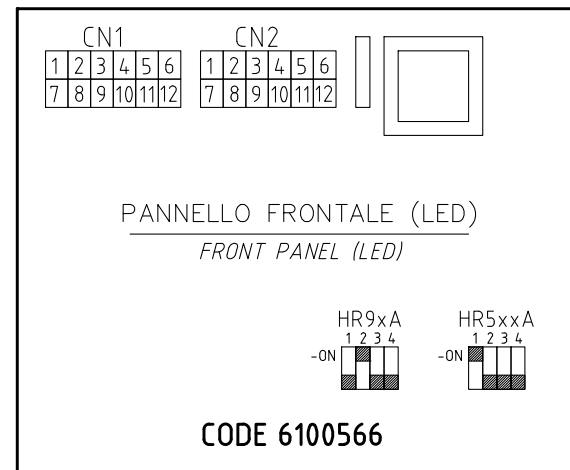
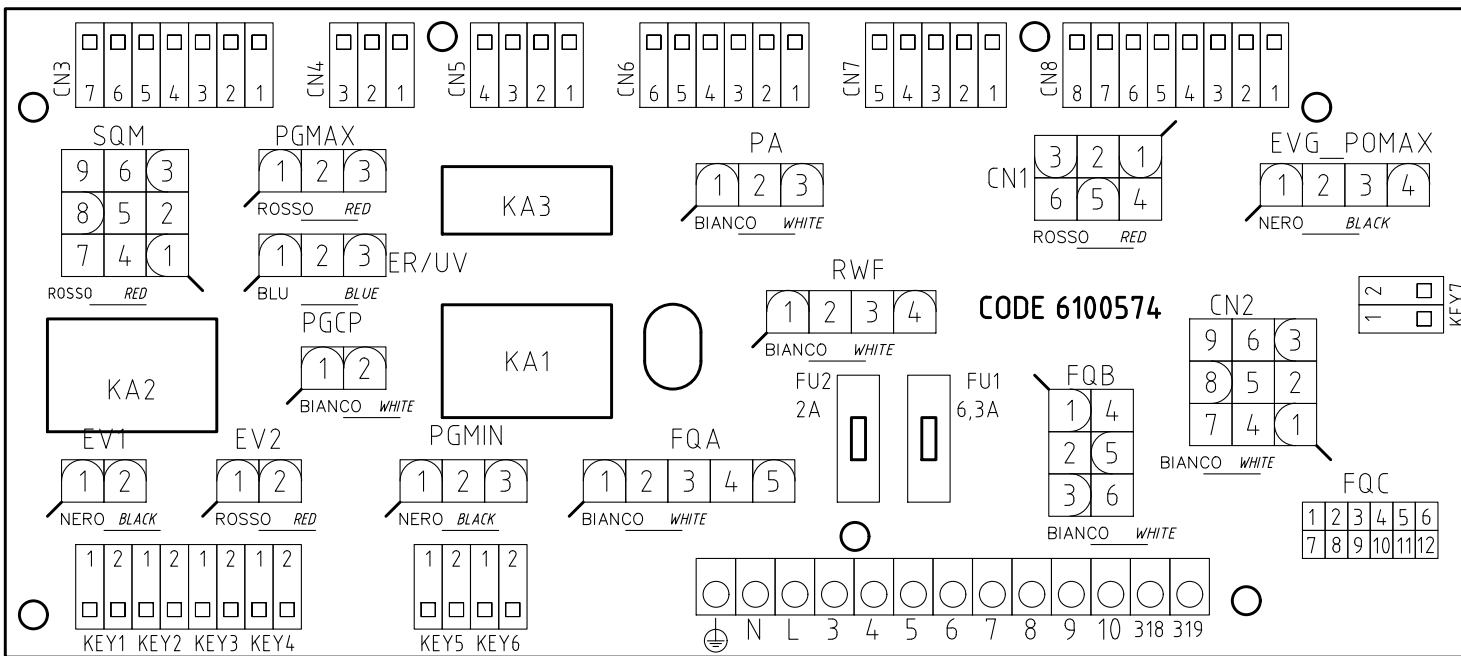
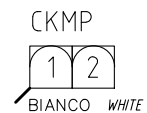
Data	22/05/2015	PREC.	FOGLIO
Revisione	01	12	13
Dis. N.	09 - 0432	SEGUE	TOTALE
		14	15

Sigla/Item	Foglio/Sheet	Funzione	Function
LTA	4	LAMPADA SEGNALAZIONE TRASFORMATORE DI ACCENSIONE	IGNITION TRANSFORMER INDICATOR LIGHT
LTP	2	LAMPADA SEGNALAZIONE BLOCCO TERMICO MOTORE VENTILATORE	INDICATOR LIGHT FOR FAN MOTOR OVERLOAD THERMAL CUTOUT
MB-DLE..Sx0	5	GRUPPO VALVOLE GAS	GAS VALVES GROUP
MB-DLE..Sx2	5	GRUPPO VALVOLE GAS	GAS VALVES GROUP
MBC..SEx0	5	GRUPPO VALVOLE GAS (ALTERNATIVO)	GAS VALVES GROUP (ALTERNATIVE)
MBC..SEx2	5	GRUPPO VALVOLE GAS (ALTERNATIVO)	GAS VALVES GROUP (ALTERNATIVE)
MP	1	MOTORE POMPA GASOLIO	LIGHT OIL PUMP MOTOR
MV	1	MOTORE VENTILATORE	FAN MOTOR
PA	3	PRESSOSTATO ARIA	AIR PRESSURE SWITCH
PGCP	5	PRESSOSTATO GAS CONTROLLO PERDITE	GAS LEAKAGE PRESSURE SWITCH
PGMAX	6	PRESSOSTATO GAS DI MASSIMA PRESSIONE (OPTIONAL)	MAXIMUM PRESSURE GAS SWITCH (OPTIONAL)
PGMIN	4	PRESSOSTATO GAS DI MINIMA PRESSIONE	MINIMUM GAS PRESSURE SWITCH
POMAX	3	PRESSOSTATO DI MASSIMA PRESSIONE OLIO (OPTIONAL)	MAXIMUM OIL PRESSURE SWITCH (OPTIONAL)
PS	3	PULSANTE SBLOCCO FIAMMA	FLAME UNLOCK BUTTON
PT100	8	SONDA DI TEMPERATURA	TEMPERATURE PROBE
RWF40.0xx	7	REGOLATORE MODULANTE	BURNER MODULATOR
RWF50.2x	7	REGOLATORE MODULANTE	BURNER MODULATOR
RWF55.5x	7	REGOLATORE MODULANTE (ALTERNATIVO)	BURNER MODULATOR (ALTERNATIVE)
SD-PRESS	8	SONDA DI PRESSIONE	PRESSURE PROBE
SD-TEMP.	8	SONDA DI TEMPERATURA	TEMPERATURE PROBE
SD - 0÷10V	8	TRASDUTTORE USCITA IN TENSIONE	TRANSDUCER VOLTAGE OUTPUT
SD - 4÷20mA	8	TRASDUTTORE USCITA IN CORRENTE	TRANSDUCER CURRENT OUTPUT
SQM40.265Axx CDV	6	SERVOCOMANDO SERRANDA ARIA	AIR DAMPER ACTUATOR
ST	4	SERIE TERMOSTATI/PRESSOSTATI	SERIES OF THERMOSTATS OR PRESSURE SWITCHES
TA	4	TRASFORMATORE DI ACCENSIONE	IGNITION TRANSFORMER
TAB	4	TERMOSTATO/PRESSOSTATO ALTA-BASSA FIAMMA	HIGH-LOW THERMOSTAT/PRESSURE SWITCHES
TC	8	TERMOCOPPIA	THERMOCOUPLE
TP	1	TERMICO MOTORE POMPA	PUMP MOTOR THERMAL
TV	1	TERMICO MOTORE VENTILATORE	FAN MOTOR THERMAL
UV	6	SONDA UV RILEVAZIONE FIAMMA	UV FLAME DETECTOR

Data	22/05/2015	PREC.	FOGLIO
Revisione	01	13	14
Dis. N.	09 - 0432	SEGUE	TOTALE
		15	15



VISTA LATO COMPONENTI
COMPONENTS SIDE VIEW



Data	22/05/2015	PREC.	FOGLIO
Revisione	01	14	15
Dis. N.	09 - 0432	SEGUE	TOTALE
		/	15